

# LNEE 65-250/220/P25VCS4

## Technical data

Company name  
Contact  
Phone number  
e-mail address

| Operating data |                           |                   |    |  |                          |
|----------------|---------------------------|-------------------|----|--|--------------------------|
| 1              | Pumpe type                | Single head pump  |    | Fluid                                      | Water                    |
| 2              | No. of pumps              | 1                 |    | Operating temperature t A                  | °C 4                     |
| 3              | Nominal flow              | m <sup>3</sup> /h | 0  | Max / Min Operating Temperature mech. Seal | °C 120 / -25             |
| 4              | Nominal head              | m                 | 0  | pH-value at t A                            | 7                        |
| 5              | Static head               | m                 | 0  | Density at t A                             | kg/m <sup>3</sup> 1000   |
| 6              | Inlet pressure            | kPa               | 0  | Kin. viscosity at t A                      | mm <sup>2</sup> /s 1.569 |
| 7              | Environmental temperature | °C                | 20 | Vapor pressure at t A                      | kPa 100                  |
| 8              | Available system NPSH     | m                 | 0  | Altitude                                   | 0                        |

| Pump data |                       |                                    |                  |                             |                             |
|-----------|-----------------------|------------------------------------|------------------|-----------------------------|-----------------------------|
| 9         | Lubrication           | Standard, Grease lubrication [Std] |                  |                             |                             |
| 10        | Execution             |                                    |                  |                             |                             |
| 11        | Design                | In-Line single head                |                  | Impeller Ø                  | Max. mm 232                 |
| 12        | Operating speed       | 2900 rpm                           | Stages 1         |                             | designed mm 232             |
| 13        | Suction nozzle        | DN 65 /                            | PN 16 / EN1092-2 |                             | Min. mm 208                 |
| 14        | Discharge nozzle      | DN 65 /                            | PN 16 / EN1092-2 | Flow                        | Nominal m <sup>3</sup> /h   |
| 15        | Max. casing pressure  | kPa                                |                  |                             | Max- m <sup>3</sup> /h 95.3 |
| 16        | Max. working pressure | kPa                                | 736.3            | Min- m <sup>3</sup> /h 27.6 |                             |
| 17        | Impeller type         | Radial impeller                    |                  | Head                        | Nominal m                   |
| 18        | Head H(Q=0)           | m                                  | 75               |                             | at Qmax m 55.3              |
| 19        | Max. shaft power      | kW                                 | 20.5             | Shaft power kW              | at Qmin m 75.4              |
| 20        | Pump weight           | kg                                 |                  | Efficiency %                |                             |
| 21        | Total weight          | kg                                 | 168.0            | NPSH 3% m                   |                             |

| Materials |                              |                             |  |  |   |
|-----------|------------------------------|-----------------------------|--|--|---|
| 22        |                              | Pump                        |  | Shaft Seal                                   |   |
| 23        | Volute Casing                | Cast iron                   |  | Single mechanical seal, without shaft sleeve |   |
| 24        | Casing Cover                 | Cast iron                   |  | eMG12 - Ø28mm                                | BQ7EGG-WA                                 |
| 25        | Impeller                     | Stainless steel / AISI 304  |  | Mechanical seal diameter                     | 28 mm                                     |
| 26        | Stub shaft                   | Stainless steel / AISI 316L |  | 1. Rotating ring                             | Carbon graphite resin impregnated         |
| 27        | Wear ring                    | Stainless steel / AISI 304  |  | 2. Stationary ring                           | SiC, silicon carbide, sintered press.less |
| 28        | Impeller lock nut and washer | Stainless steel / AISI 304  |  | 3. Secondary seal                            | Ethylene propylene rubber (EPDM)          |
| 29        | Impeller key                 | Stainless steel / AISI 316L |  | 4. Springs                                   | CrNiMo - Steel                            |
| 30        | Fill and drain plugs         | Nickel-plated brass         |  | 5. Others                                    | EPDM - WRAS                               |
| 31        |                              |                             |  | Gaskets of the pump                          | Ethylene propylene rubber (EPDM)          |
| 32        |                              |                             |  |  |   |
| 33        |                              |                             |  |  |   |
| 34        |                              |                             |  |  |   |
| 35        |                              |                             |  |  |   |
| 36        |                              |                             |  |  |   |
| 37        |                              |                             |  |  |   |
| 38        |                              |                             |  |  |   |
| 39        |                              |                             |  |  |   |
| 40        |                              |                             |  |  |   |
| 41        |                              |                             |  |  |   |

| Motor data   |                 |                      |                      |        |  |
|--|-----------------|----------------------|----------------------|--------|--|
| Electrical and dimensional data refer to IE3 motor |                 |                      |                      |        |  |
| 42   | Manufacturer    | Lowara               |                      |        |  |
| 43   | Specific design | IE3 3ph Flange Motor |                      |        |  |
| 44   | Type            | PLM 160 B14 22 kW    |                      |        |  |
| 45   | Rated power     | 22 kW                | Rated current        | 42.2 A |  |
| 46   | Nominal speed   | 2940 rpm             | Rated voltage        | 400 V  |  |
| 47   | Frame size      | 160                  | Service factor       | 1      |  |
| 48   | Weight          | kg 115.0             | Degree of protection | IP55   |  |

| Remarks |  |  |  |  |  |
|---------|--|--|--|--|--|
| 49      |  |  |  |  |  |
| 50      |  |  |  |  |  |
| 50      |  |  |  |  |  |
| 52      |  |  |  |  |  |

# LNEE 65-250/220/P25VCS4

## Performance curve

Company name  
Contact  
Phone number  
e-mail address

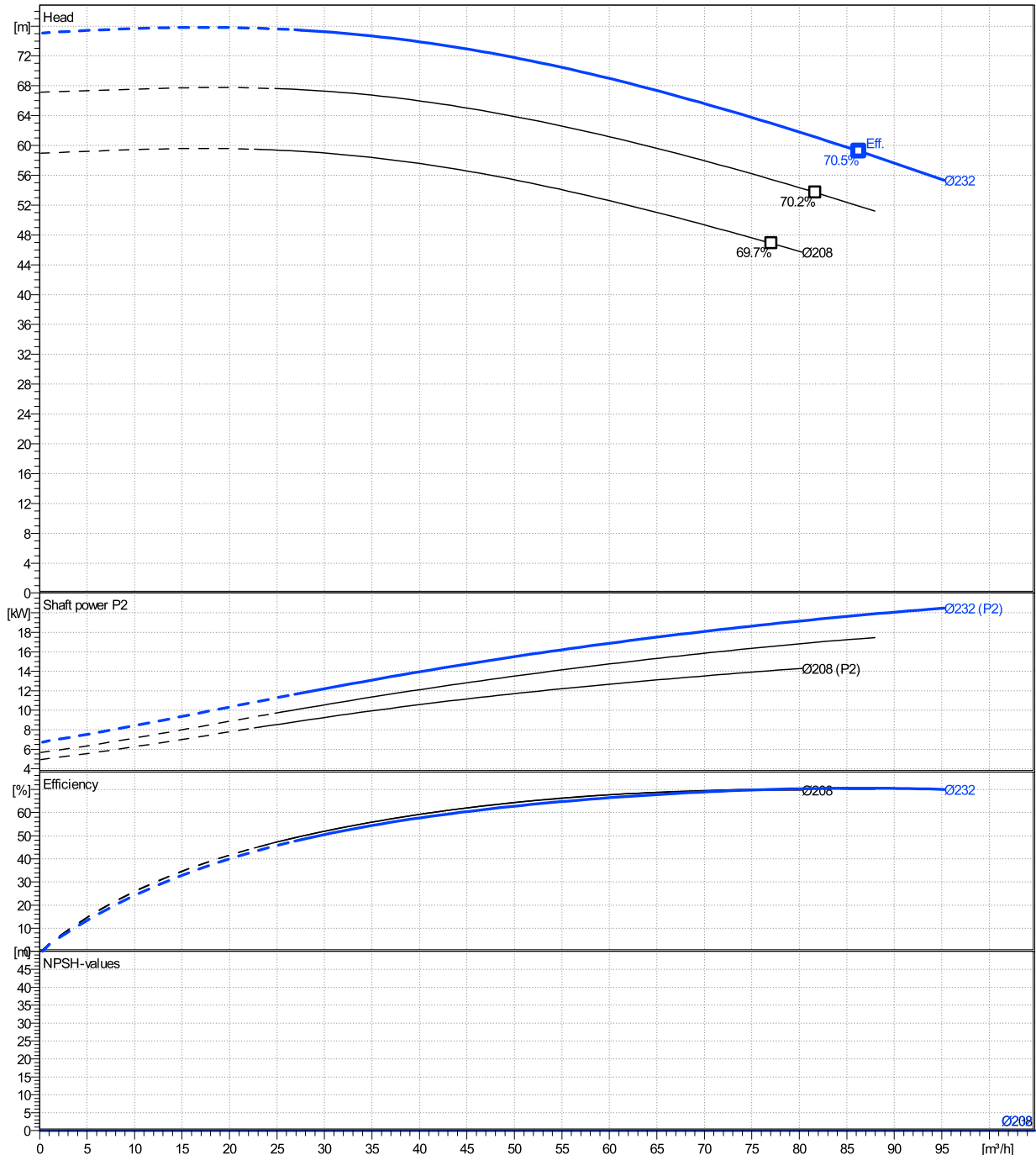
|        | Ø<br>mm | Pump capacity                |           |                | Pump head   |             | Shaft power P2 |         |              | Frequency       | Hz   | 50   |
|--------|---------|------------------------------|-----------|----------------|-------------|-------------|----------------|---------|--------------|-----------------|------|------|
|        |         | Operating range<br>Min. m³/h | Max. m³/h | η<br>Max. m³/h | H(Q=0)<br>m | η<br>Max. m | P2(Q=0)<br>kW  | Max. kW | η<br>Max. kW | Operating speed | rpm  | 2900 |
| actual | 232     | 27.6                         | 95.2      | 86.3           | 75.1        | 59.2        |                | 20.5    | 19.7         | Nominal flow    | m³/h | 0    |
| Min.   | 0       | /                            | /         | 77.1           | 59          | 46.9        |                | /       | 14.1         | Nominal head    | m    | 0    |
| Max.   | 232     | /                            | /         | 86.3           | 75.1        | 59.2        |                | /       | 19.7         | Inlet pressure  | kPa  | 0    |
|        |         |                              |           |                |             |             |                |         |              | Static head     | m    | 0    |

Power datas referred to:

hydr. Performance acceptance acc. To EN ISO 9906 Class Grade 3B

Water [100%] ; 4°C; 1000kg/m³; 1.57mm²/s

MEI: N.A - according to Ecodesign Directive 2009/125/EC and Regulation (EU) No.547/2012



# LNEE 65-250/220/P25VCS4

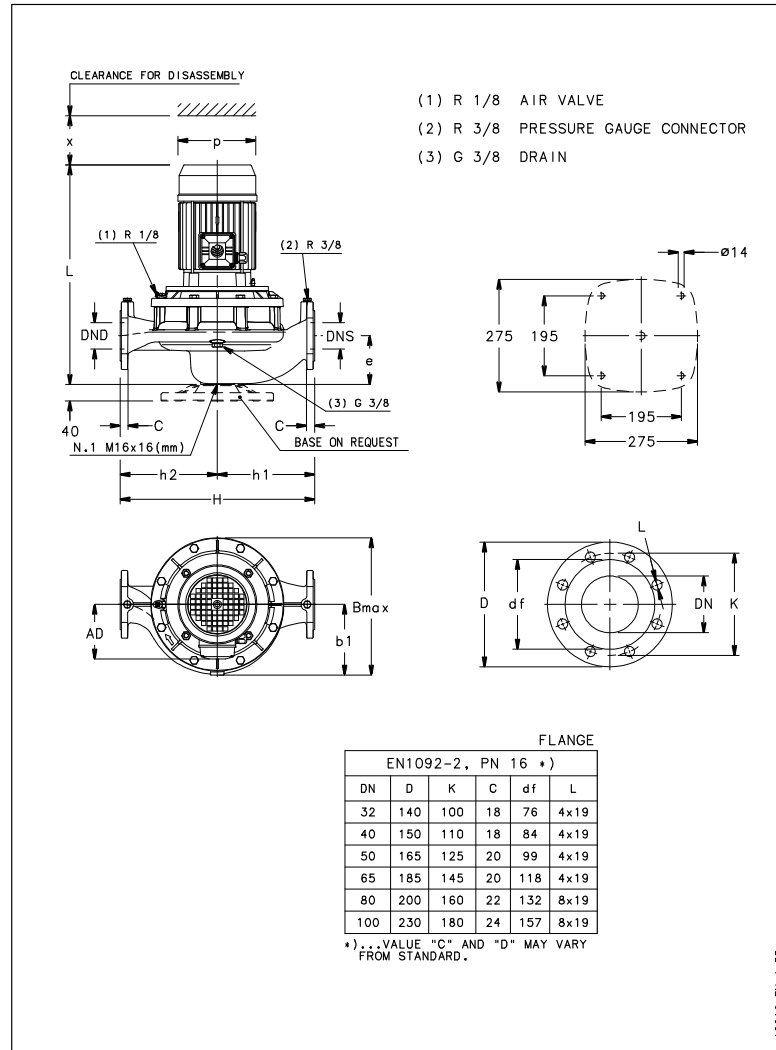
## Dimensions

Company name  
Contact  
Phone number  
e-mail address

Close coupled

PLM 160 B14 22 kW

Electrical and dimensional data refer to IE3 motor



### Dimensions [ mm ]

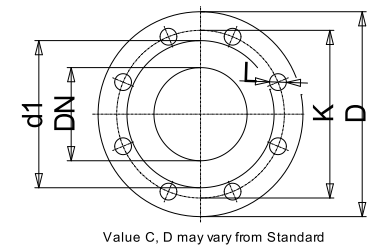
|      |       |
|------|-------|
| AD   | 240   |
| b1   | 178   |
| Bmax | 409   |
| DND  | 65    |
| DNS  | 65    |
| e    | 118   |
| H    | 475   |
| h1   | 237.5 |
| h2   | 237.5 |
| L    | 712   |
| p    | 313   |
| x    | 105   |

### Weight

|              |        |
|--------------|--------|
| Total weight | 168 kg |
|--------------|--------|

### Connections

| Suction nozzle |        | Discharge nozzle |        |
|----------------|--------|------------------|--------|
| DN 65          |        | DN 65            |        |
| PN 16          |        | PN 16            |        |
| EN1092-2       |        | EN1092-2         |        |
| C              | 20     | C                | 20     |
| D              | 185    | D                | 185    |
| df             | 118    | df               | 118    |
| DN             | 65     | DN               | 65     |
| K              | 145    | K                | 145    |
| L              | 4 x 19 | L                | 4 x 19 |



### Dimensions and weight without obligation

|         |                        |
|---------|------------------------|
| Project | Xylect-20127611        |
| Block   | LNEE 65-250/40/P45VCS4 |

Created by  
Created on 12/20/2024

Last update 12/20/2024