

LNES 100-160/110/P25VCC4

Technical data

Company name
Contact
Phone number
e-mail address

Operating data					
1	Pumpe type	Single head pump		Fluid	Water
2	No. of pumps	1		Operating temperature t A	°C 4
3	Nominal flow	m ³ /h	0	Max / Min Operating Temperature mech. Seal	°C 120 / -25
4	Nominal head	m	0	pH-value at t A	7
5	Static head	m	0	Density at t A	kg/m ³ 1000
6	Inlet pressure	kPa	0	Kin. viscosity at t A	mm ² /s 1.569
7	Environmental temperature	°C	20	Vapor pressure at t A	kPa 100
8	Available system NPSH	m	0	Altitude	0

Pump data					
9	Lubrication	Standard, Grease lubrication [Std]			
10	Execution				
11	Design	In-line		Impeller Ø	Max. mm 177
12	Operating speed	2900 rpm	Stages 1		designed mm 144
13	Suction nozzle	DN 100 /	PN 16 / EN1092-2		Min. mm 144
14	Discharge nozzle	DN 100 /	PN 16 / EN1092-2	Flow	Nominal m ³ /h
15	Max. casing pressure	kPa			Max- m ³ /h 205.2
16	Max. working pressure	kPa	253.1	Min- m ³ /h 44	
17	Impeller type	Radial impeller		Head	Nominal m
18	Head H(Q=0)	m	26		at Qmax m 10.9
19	Max. shaft power	kW	10	Shaft power kW	at Qmin m 25.3
20	Pump weight	kg		Efficiency %	
21	Total weight	kg	140.0	NPSH 3% m	

Materials					
22		Pump		Shaft Seal	
23	Volute Casing	Cast iron		Single mechanical seal, without shaft sleeve	
24	Casing Cover	Cast iron		eMG12 - Ø28mm	BQ7EGG-WA
25	Impeller	Cast iron / ASTM Class 30		Mechanical seal diameter	28 mm
26	Stub shaft	Stainless steel / AISI 431		1. Rotating ring	Carbon graphite resin impregnated
27	Wear ring	Stainless steel / AISI 304		2. Stationary ring	SiC, silicon carbide, sintered press. less
28	Impeller Nut	Stainless steel		3. Secondary seal	Ethylene propylene rubber (EPDM)
29	Impeller washer	Stainless steel		4. Springs	CrNiMo - Steel
30	Impeller key	Stainless steel / AISI 316Ti		5. Others	EPDM - WRAS
31	PLUG	Stainless steel / AISI 316Ti		Gaskets of the pump	Ethylene propylene rubber (EPDM)
32	GASKET	Asbestos-free synthetic fiber AFM34			
33					
34					
35					
36					
37					
38					
39					
40					
41					

Motor data					
Electrical and dimensional data refer to IE3 motor					
42	Manufacturer	Lowara			
43	Specific design	IE3 3ph Flange Motor - Premium Efficiency			
44	Type	PLM 160 B5 11 kW			
45	Rated power	11 kW	Rated current	20.2 A	
46	Nominal speed	2910 rpm	Rated voltage	400 V	
47	Frame size	160	Service factor	1	
48	Weight	kg 70.4	Degree of protection	IP55	

Remarks					
49					
50					
50					
52					

LNES 100-160/110/P25VCC4

Performance curve

Company name
Contact
Phone number
e-mail address

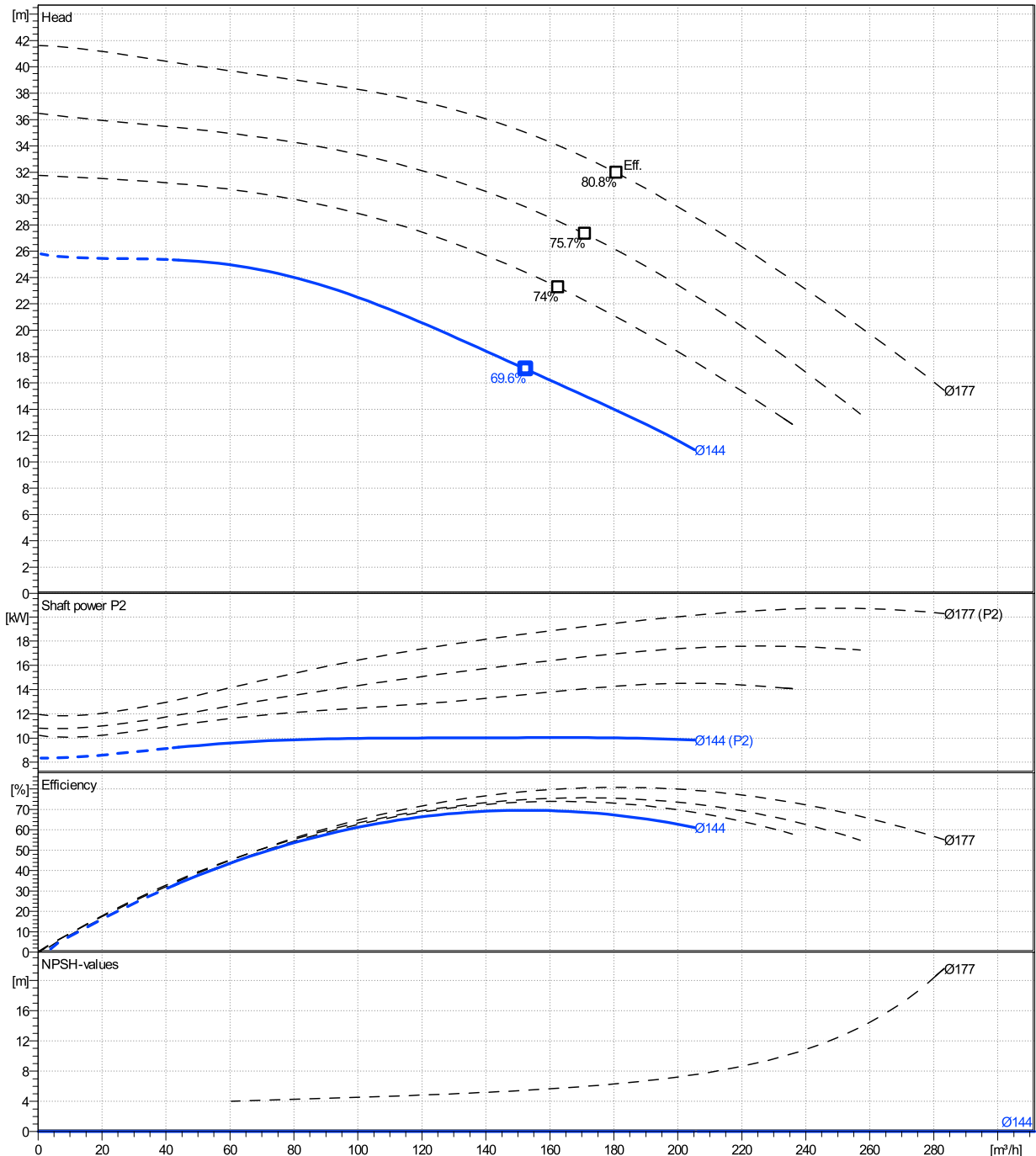
	Ø mm	Pump capacity			Pump head		Shaft power P2			Frequency	Hz	
		Operating range Min. m³/h	Max. m³/h	η Max. m³/h	H(Q=0) m	η Max. m	P2(Q=0) kW	Max. kW	η Max. kW	Operating speed	rpm	
actual	144	44	205	153	25.8	17	10	10	10	Nominal flow	m³/h	0
Min.	0	/	/	153	25.8	17	/	/	10	Nominal head	m	0
Max.	177	/	/	181	41.6	31.9	/	/	19.5	Inlet pressure	kPa	0
										Static head	m	0

Power datas referred to:

hydr. Performance acceptance acc. To EN ISO 9906 Class Grade 3B

Water [100%] ; 4°C; 1000kg/m³; 1.57mm²/s

MEI: N.A - according to Ecodesign Directive 2009/125/EC and Regulation (EU) No.547/2012



LNES 100-160/110/P25VCC4

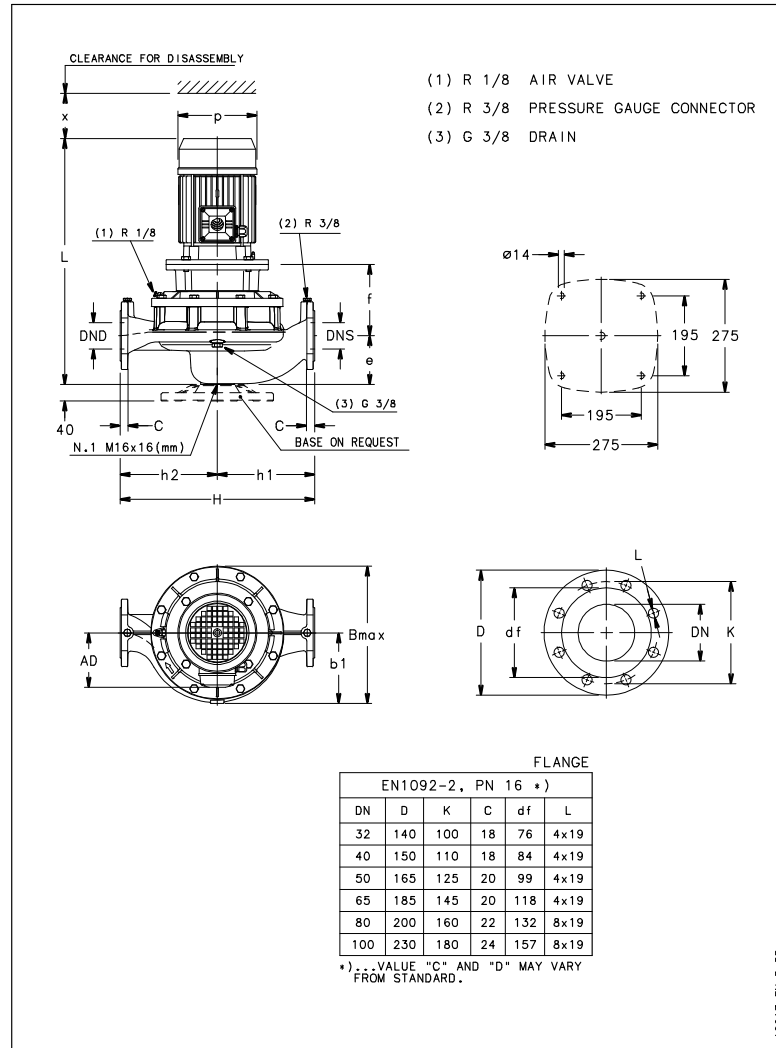
Dimensions

Company name
Contact
Phone number
e-mail address

Rigid coupling

PLM 160 B5 11 kW

Electrical and dimensional data refer to IE3 motor



Dimensions [mm]

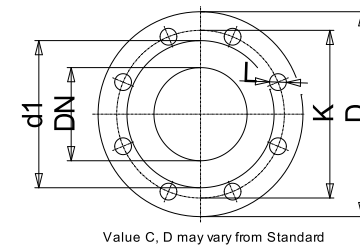
AD	191
b1	171
Bmax	347
DNd	100
DNs	100
e	140
f	240
H	500
h1	260
h2	240
L	808
p	256
x	123

Weight

Total weight	140 kg
--------------	--------

Connections

Suction nozzle		Discharge nozzle	
DN 100		DN 100	
PN 16		PN 16	
EN1092-2		EN1092-2	
C	24	C	24
D	230	D	230
df	157	df	157
DN	100	DN	100
K	180	K	180
L	8 x 19	L	8 x 19



Dimensions and weight without obligation

Project	Xylect-20128214
Block	LNES 100-160/30/P45RCC4

Created by	
Created on	12/21/2024

Last update 12/21/2024