

LNES 100-200/30/P45RCC4

Technical data

Company name
Contact
Phone number
e-mail address

Operating data			
1	Pumpe type	Single head pump	Fluid Water
2	No. of pumps	1	Operating temperature t A °C 4
3	Nominal flow	m ³ /h 0	Max / Min Operating Temperature mech. Seal °C 120 / -25
4	Nominal head	m 0	pH-value at t A 7
5	Static head	m 0	Density at t A kg/m ³ 1000
6	Inlet pressure	kPa 0	Kin. viscosity at t A mm ² /s 1.569
7	Environmental temperature	°C 20	Vapor pressure at t A kPa 100
8	Available system NPSH	m 0	Altitude 0

Pump data			
9	Lubrication	Standard, Grease lubrication [Std]	
10	Execution		
11	Design	In-line	
12	Operating speed	1450 rpm	Stages 1
13	Suction nozzle	DN 100 / PN 16 / EN1092-2	Impeller Ø
14	Discharge nozzle	DN 100 / PN 16 / EN1092-2	
15	Max. casing pressure	kPa	Flow
16	Max. working pressure	kPa 109.1	
17	Impeller type	Radial impeller	
18	Head H(Q=0)	m 11	Head
19	Max. shaft power	kW 2.8	
20	Pump weight	kg	Shaft power kW
21	Total weight	kg 103.0	Efficiency %
			NPSH 3% m

Materials			
22		Pump	Shaft Seal
23	Volute Casing	Cast iron	Single mechanical seal, without shaft sleeve
24	Casing Cover	Cast iron	eMG12 - Ø38mm BQ7EGG-WA
25	Impeller	Cast iron / ASTM Class 30	Mechanical seal diameter 38 mm
26	Stub shaft	Stainless steel / AISI 431	1. Rotating ring Carbon graphite resin impregnated
27	Wear ring	Stainless steel / AISI 304	2. Stationary ring SiC, silicon carbide, sintered press.less
28	Impeller Nut	Stainless steel	3. Secondary seal Ethylene propylene rubber (EPDM)
29	Impeller washer	Stainless steel	4. Springs CrNiMo - Steel
30	Impeller key	Stainless steel / AISI 316Ti	5. Others EPDM - WRAS
31	PLUG	Stainless steel / AISI 316Ti	Gaskets of the pump Ethylene propylene rubber (EPDM)
32	GASKET	Asbestos-free synthetic fiber AFM34	
33			
34			
35			
36			
37			
38			
39			
40			
41			

Motor data			
Electrical and dimensional data refer to IE3 motor			
42	Manufacturer	Lowara	
43	Specific design	IE3 3ph Flange Motor - Premium Efficiency	
44	Type	PLM 100 B5 3 kW	
45	Rated power	3 kW	Rated current 6.62 A
46	Nominal speed	1450 rpm	Rated voltage 400 V
47	Frame size	100	Service factor 1
48	Weight	kg 35.4	Degree of protection IP55

Remarks	
49	
50	
50	
52	

LNES 100-200/30/P45RCC4

Performance curve

Company name
Contact
Phone number
e-mail address

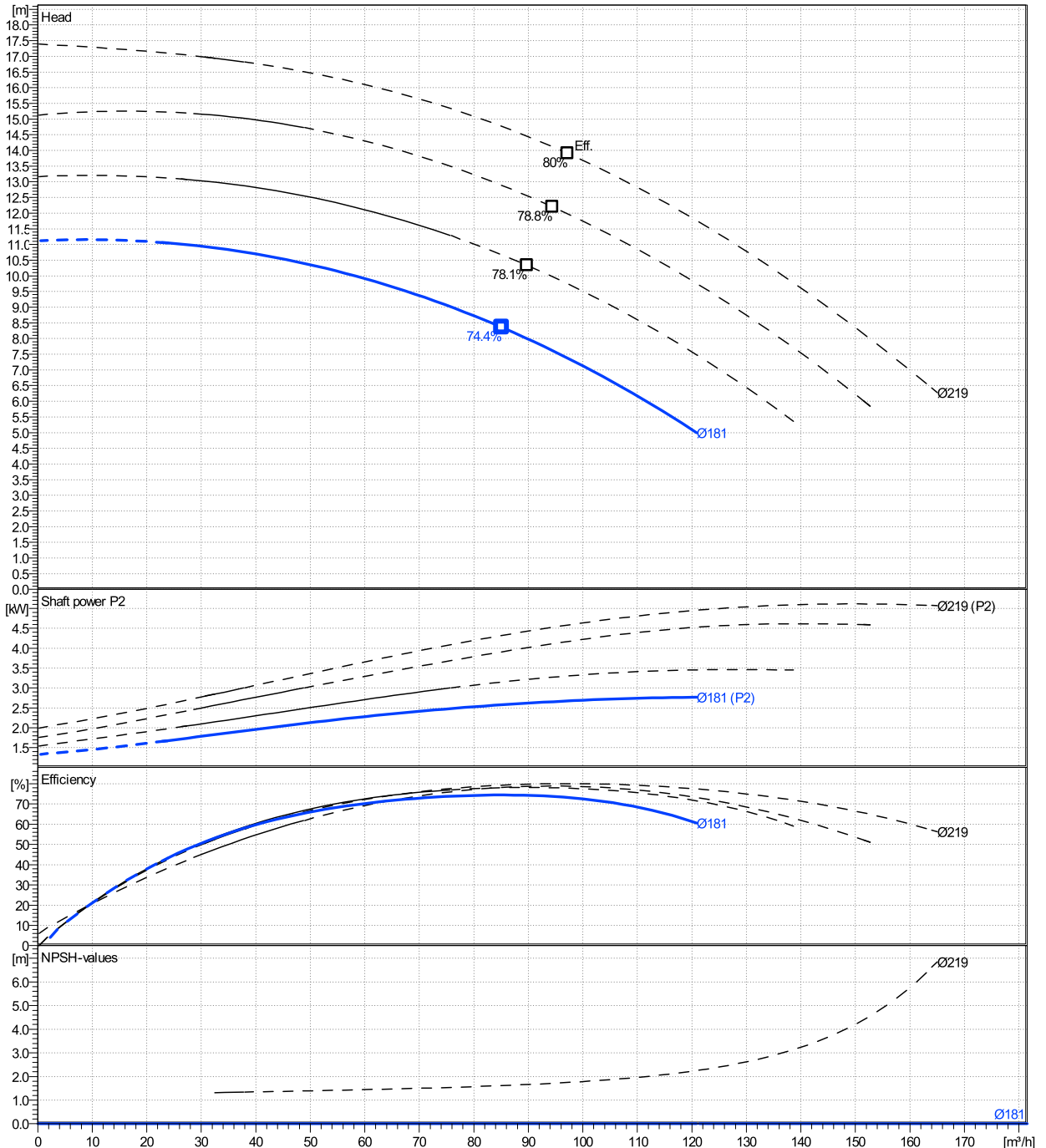
	Ø mm	Pump capacity Operating range			Pump head		Shaft power P2			Frequency	Hz	50
		Min. m³/h	Max. m³/h	η Max. m³/h	H(Q=0) m	η Max. m	P2(Q=0) kW	Max. kW	η Max. kW	Operating speed	rpm	1450
actual	181	23.8	121	85.1	11.1	8.36	2.77	2.58	Nominal flow	m³/h	0	
Min.	0	/	/	85.1	11.1	8.36	/	2.58	Nominal head	m	0	
Max.	219	/	/	97.2	17.4	13.9	/	4.58	Inlet pressure	kPa	0	
									Static head	m	0	

Power datas referred to:

hydr. Performance acceptance acc. To EN ISO 9906 Class Grade 3B

Water [100%] ; 4°C; 1000kg/m³; 1.57mm²/s

MEI: N.A - according to Ecodesign Directive 2009/125/EC and Regulation (EU) No.547/2012



LNES 100-200/30/P45RCC4

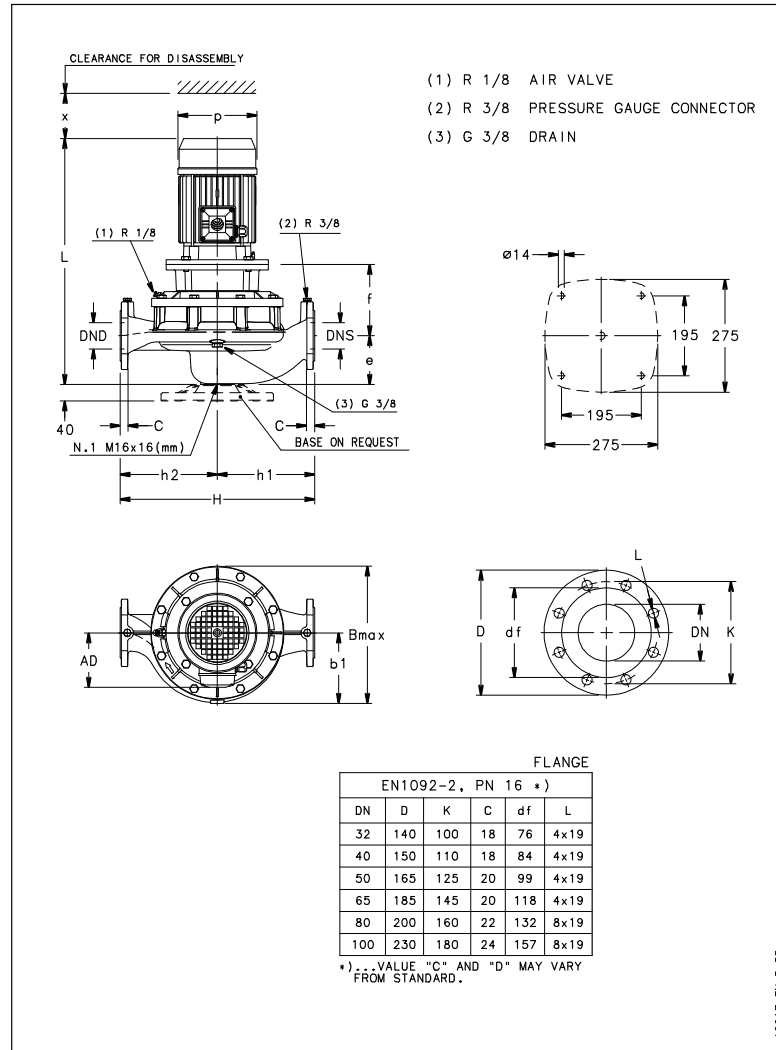
Dimensions

Company name
Contact
Phone number
e-mail address

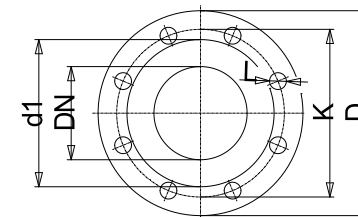
Rigid coupling

PLM 100 B5 3 kW

Electrical and dimensional data refer to IE3 motor



A0017-EN_LB_DD



Value C, D may vary from Standard

Dimensions [mm]

AD	168
b1	201
Bmax	371
DNd	100
DNs	100
e	175
f	183
H	550
h1	300
h2	250
L	711
p	214
x	152

Weight

Total weight	103 kg
---------------------	---------------

Connections

Suction nozzle		Discharge nozzle	
DN 100		DN 100	
PN 16		PN 16	
EN1092-2		EN1092-2	
C	24	C	24
D	230	D	230
df	157	df	157
DN	100	DN	100
K	180	K	180
L	8 x 19	L	8 x 19

Dimensions and weight without obligation

Project Xlect-20128214
Block LNES 100-200/55/P45VCC4

Created by
Created on 12/21/2024

Last update 12/21/2024