

LNES 100-315/150/P46PCC4

Technical data

Company name
Contact
Phone number
e-mail address

| Operating data | | | | | |
|----------------|---------------------------|------------------|----|--|-----------------------------|
| 1 | Pumpe type | Single head pump | | Fluid | Water |
| 2 | No. of pumps | 1 | | Operating temperature t A | °F 39.2 |
| 3 | Nominal flow | US g.p.m. | 0 | Max / Min Operating Temperature mech. Seal | °F 120 / -25 |
| 4 | Nominal head | ft | 0 | pH-value at t A | 7 |
| 5 | Static head | ft | 0 | Density at t A | lb/ft ³ 62.4 |
| 6 | Inlet pressure | psi | 0 | Kin. viscosity at t A | ft ² /s 1.689E-5 |
| 7 | Environmental temperature | °F | 68 | Vapor pressure at t A | psi 14.5 |
| 8 | Available system NPSH | ft | 0 | Altitude | 0 |

| Pump data | | | | | |
|-----------|-----------------------|-------------------|-----------|----------|--|
| 9 | Lubrication | 32 | | | |
| 10 | Execution | with support foot | | | |
| 11 | Design | In-line | | | |
| 12 | Operating speed | 1765 rpm | Stages | 1 | |
| 13 | Suction nozzle | DN100 / | PN10/16 / | EN1092-2 | |
| 14 | Discharge nozzle | DN100 / | PN10/16 / | EN1092-2 | |
| 15 | Max. casing pressure | psi | 232 | | |
| 16 | Max. working pressure | psi | 47.1 | | |
| 17 | Impeller type | Radial impeller | | | |
| 18 | Head H(Q=0) | ft | 110 | | |
| 19 | Max. shaft power | hp | 20.1 | | |
| 20 | Pump weight | kg | | | |
| 21 | Total weight | lb | 533.5 | | |

| | Impeller Ø | Max. | inch | 12 3/8 |
|--|-------------|-------------------|-----------|---------|
| | | designed | inch | 10 5/16 |
| | | Min. | inch | 10 5/16 |
| | | Nominal US g.p.m. | | |
| | Flow | Max- | US g.p.m. | 792.5 |
| | | Min- | US g.p.m. | 101.3 |
| | Head | Nominal | ft | |
| | | at Qmax | ft | 48.5 |
| | | at Qmin | ft | 109 |
| | Shaft power | | hp | |
| | Efficiency | | % | |
| | NPSH 3% | | ft | |

| Materials | | | | | |
|-----------|---------------|----------------------------------|--|--|---|
| 22 | | Pump | | Shaft Seal | |
| 23 | Impeller | Cast iron, 0.6020 | | Single mechanical seal, without shaft sleeve | |
| 24 | Casing | Cast iron, 0.6025 | | eMG12 - Ø38mm | BQ7EGG-WA |
| 25 | casing cover | Cast iron, 0.6025 | | Mechanical seal diameter | 1 1/2 inch |
| 26 | Wear ring | stainless steel, 1.4301 (1.4408) | | 1. Rotating ring | Carbon graphite resin impregnated |
| 27 | Shaft | Stainless steel, 1.4057 | | 2. Stationary ring | SiC, silicon carbide, sintered press.less |
| 28 | O-ring | EPDM | | 3. Secondary seal | Ethylene propylene rubber (EPDM) |
| 29 | Bearing frame | Cast iron, 0.6025 | | 4. Springs | CrNiMo - Steel |
| 30 | | | | 5. Others | EPDM - WRAS |
| 31 | | | | Gaskets of the pump | Ethylene propylene rubber (EPDM) |
| 32 | | | | | |
| 33 | | | | | |
| 34 | | | | | |
| 35 | | | | | |
| 36 | | | | | |
| 37 | | | | | |
| 38 | | | | | |
| 39 | | | | | |
| 40 | | | | | |
| 41 | | | | | |

| Motor data | | | | | |
|--|-----------------|---|----------------------|--------|--|
| Electrical and dimensional data refer to IE3 motor | | | | | |
| 42 | Manufacturer | Lowara | | | |
| 43 | Specific design | IE3 3ph Flange Motor - Premium Efficiency | | | |
| 44 | Type | PLM 160 B5 15 kW | | | |
| 45 | Rated power | 20.115 hp | Rated current | 29.9 A | |
| 46 | Nominal speed | 1764 rpm | Rated voltage | 380 V | |
| 47 | Frame size | 160 | Service factor | 1 | |
| 48 | Weight | lb 283.3 | Degree of protection | IP55 | |

| Remarks | | | | | |
|---------|--|--|--|--|--|
| 49 | | | | | |
| 50 | | | | | |
| 50 | | | | | |
| 52 | | | | | |

LNES 100-315/150/P46PCC4

Performance curve

Company name
Contact
Phone number
e-mail address

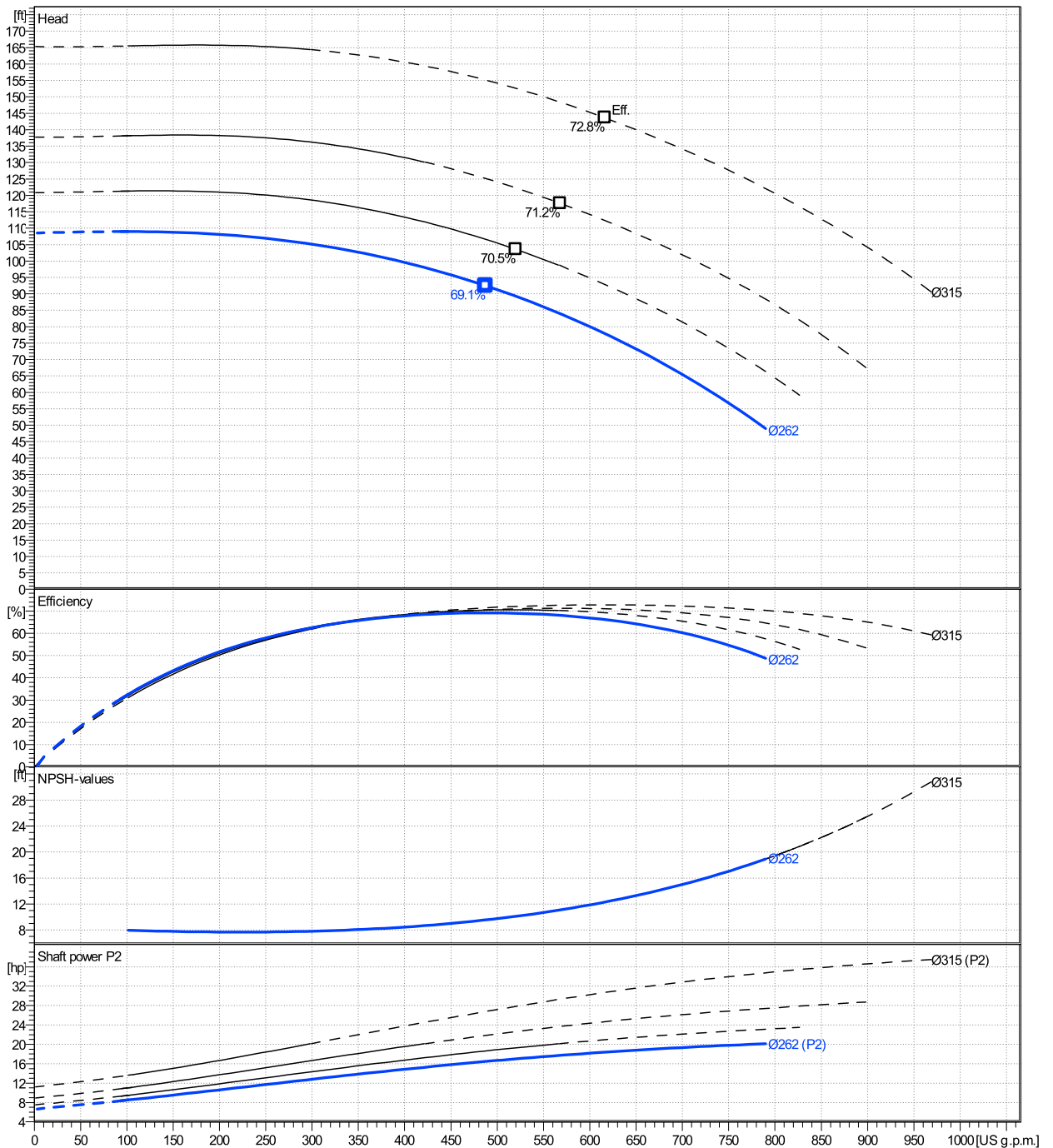
| | Ø mm | Pump capacity | | | Pump head | | Shaft power P2 | | | Frequency | |
|--------|---------|-----------------------------------|----------------|---------------------|--------------|--------------|----------------|---------|--------------|-----------|------|
| | | Operating range Min. US g.p.m. | Max. US g.p.m. | η Max. US g.p.m. | H(Q=0) ft | η Max. ft | P2(Q=0) hp | Max. hp | η Max. hp | Hz | |
| actual | 10 5/16 | 101 | 790 | 488 | 109 | 92.5 | | 20.1 | 16.5 | 60 | 1765 |
| Min. | 0 | / | / | 488 | 109 | 92.5 | | / | 16.5 | | 0 |
| Max. | 12 3/8 | / | / | 616 | 165 | 144 | | / | 30.7 | | 0 |

Power datas referred to:

hydr. Performance acceptance acc. To EN ISO 9906 Class Grade 3B

Water [100%]; 39.2°F; 62.4lb/ft³; 1.69E-5ft²/s

MEI: >=0,70 - according to Ecodesign Directive 2009/125/EC and Regulation (EU) No.547/2012



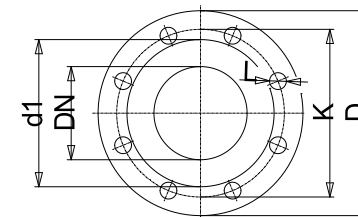
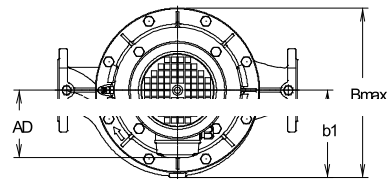
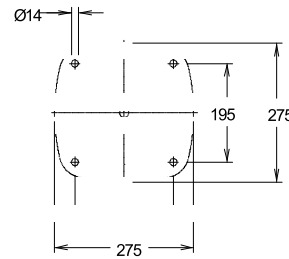
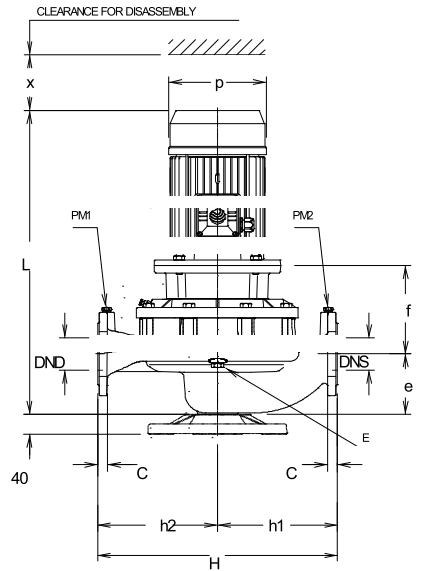
LNES 100-315/150/P46PCC4

Dimensions

Company name
Contact
Phone number
e-mail address

Rigid coupling
with support foot
PLM 160 B5 15 kW

Electrical and dimensional data refer to IE3 motor



Value C, D may vary from Standard

| Dimensions | | [inch] |
|------------|-------------------|----------|
| AD | $9\frac{7}{16}$ | |
| b1 | $9\frac{5}{8}$ | |
| Bmax | $17\frac{3}{4}$ | |
| DNd | $3\frac{15}{16}$ | |
| DNs | $3\frac{15}{16}$ | |
| e | $6\frac{7}{8}$ | |
| f | $9\frac{7}{16}$ | |
| H | $26\frac{3}{8}$ | |
| h1 | $14\frac{3}{16}$ | |
| h2 | $12\frac{3}{16}$ | |
| L | $35\frac{13}{16}$ | |
| p | $12\frac{5}{16}$ | |
| x | $5\frac{1}{2}$ | |

| Weight | |
|--------------|--------|
| Total weight | 242 kg |

| Connections | | | |
|----------------|-----------------|------------------|-----------------|
| Suction nozzle | | Discharge nozzle | |
| DN100 | | DN100 | |
| PN10/16 | | PN10/16 | |
| EN1092-2 | | EN1092-2 | |
| C | $1\frac{5}{16}$ | C | $1\frac{5}{16}$ |
| D | $9\frac{1}{16}$ | D | $9\frac{1}{16}$ |
| d1 | $6\frac{3}{16}$ | d1 | $6\frac{3}{16}$ |
| K | $7\frac{1}{16}$ | K | $7\frac{1}{16}$ |
| L | $\frac{3}{4}$ | L | $\frac{3}{4}$ |
| Z | $\frac{5}{16}$ | Z | $\frac{5}{16}$ |

Dimensions and weight without obligation

| | | | | | |
|---------|--------------------------|------------|-----------|-------------|-----------|
| Project | Xylect-20070985 | Created by | | Last update | 1/19/2025 |
| Block | LNES 100-315/300/L46UCC4 | Created on | 1/19/2025 | | |