

# LNES 100-315/300/L46UCC4

## Technical data

Company name  
Contact  
Phone number  
e-mail address

Operating data					
1	Pumpe type	Single head pump	Fluid	Water	
2	No. of pumps	1	Operating temperature t A	°F	39.2
3	Nominal flow	US g.p.m. 0	Max / Min Operating Temperature mech. Seal	°F	120 / -25
4	Nominal head	ft 0	pH-value at t A		7
5	Static head	ft 0	Density at t A	lb/ft <sup>3</sup>	62.4
6	Inlet pressure	psi 0	Kin. viscosity at t A	ft <sup>2</sup> /s	1.689E-5
7	Environmental temperature	°F 68	Vapor pressure at t A	psi	14.5
8	Available system NPSH	ft 0	Altitude		0

Pump data					
9	Lubrication	32			
10	Execution	with support foot			
11	Design	In-line			
12	Operating speed	1765 rpm	Stages	1	
13	Suction nozzle	DN100 / PN10/16 / EN1092-2	Impeller Ø	Max.	inch 12 3/8
14	Discharge nozzle	DN100 / PN10/16 / EN1092-2		designed	inch 12 3/8
15	Max. casing pressure	psi 232	Flow	Min.	inch 10 5/16
16	Max. working pressure	psi 71.7		Nominal	US g.p.m.
17	Impeller type	Radial impeller		Max-	US g.p.m. 968.6
18	Head H(Q=0)	ft 170	Head	Min-	US g.p.m. 107
19	Max. shaft power	hp 37.5		Nominal	ft
20	Pump weight	kg		at Qmax	ft 90.6
21	Total weight	lb 682.3	Shaft power	hp	
			Efficiency	%	
			NPSH 3%	ft	

Materials					
22		<b>Pump</b>		<b>Shaft Seal</b>	
23	Impeller	Cast iron, 0.6020		Single mechanical seal, without shaft sleeve	
24	Casing	Cast iron, 0.6025		eMG12 - Ø38mm	BQ7EGG-WA
25	casing cover	Cast iron, 0.6025		Mechanical seal diameter	1 1/2 inch
26	Wear ring	stainless steel, 1.4301 (1.4408)		1. Rotating ring	Carbon graphite resin impregnated
27	Shaft	Stainless steel, 1.4057		2. Stationary ring	SiC, silicon carbide, sintered press.less
28	O-ring	EPDM		3. Secondary seal	Ethylene propylene rubber (EPDM)
29	Bearing frame	Cast iron, 0.6025		4. Springs	CrNiMo - Steel
30				5. Others	EPDM - WRAS
31				Gaskets of the pump	Ethylene propylene rubber (EPDM)
32					
33					
34					
35					
36					
37					
38					
39					
40					
41					

Motor data					
Electrical and dimensional data refer to IE3 motor					
42	Manufacturer	Lowara			
43	Specific design	IE3 3ph Flange Motor - Premium Efficiency			
44	Type	3MAS 200 L B5 30 kW			
45	Rated power	40.231 hp	Rated current	55.7 A	
46	Nominal speed	1764 rpm	Rated voltage	380 V	
47	Frame size	200 L	Service factor	1	
48	Weight	lb 457.5	Degree of protection	IP55	

Remarks					
49					
50					
50					
52					

Project	Xylect-20070985	Created by		Last update	1/19/2025
Block	LNES 100-315/300/L46UCC4	Created on	1/19/2025		

# LNES 100-315/300/L46UCC4

## Performance curve

Company name  
Contact  
Phone number  
e-mail address

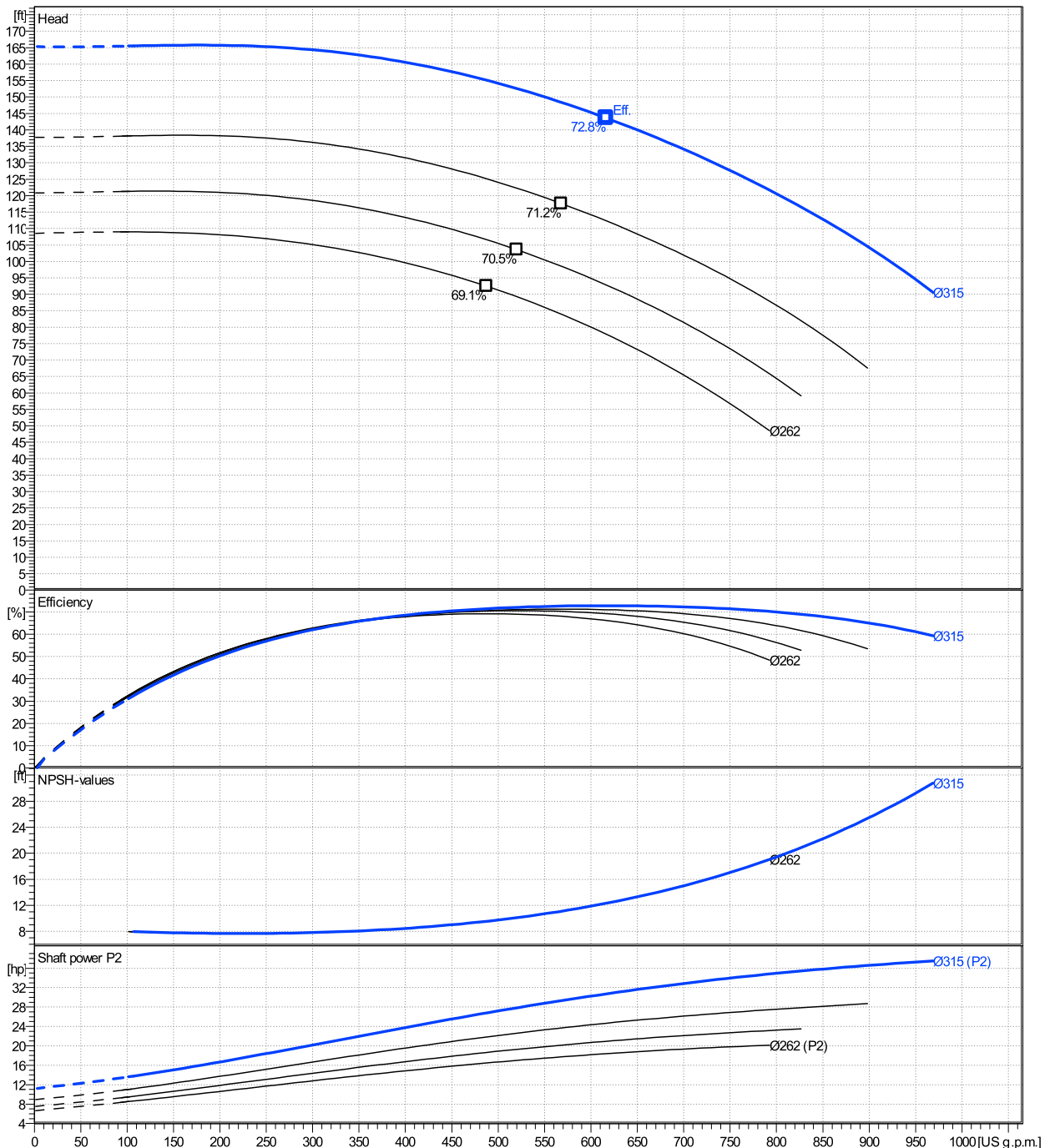
	Ø mm	Pump capacity			Pump head		Shaft power P2			Frequency	Hz	
		Operating range Min. US g.p.m.	Max. US g.p.m.	η Max. US g.p.m.	H(Q=0) ft	η Max. ft	P2(Q=0) hp	Max. hp	η Max. hp	Operating speed	rpm	
actual	12 3/8	107	969	616	165	144		37.5	30.7	Nominal flow	US g.p.m.	0
Min.	0	/	/	488	109	92.5		/	16.5	Nominal head	ft	0
Max.	12 3/8	/	/	616	165	144		/	30.7	Inlet pressure	psi	0
										Static head	ft	0

**Power datas referred to:**

hydr. Performance acceptance acc. To EN ISO 9906 Class Grade 3B

Water [100%] ; 39.2°F ; 62.4lb/ft³ ; 1.69E-5ft²/s

MEI: >=0,70 - according to Ecodesign Directive 2009/125/EC and Regulation (EU) No.547/2012



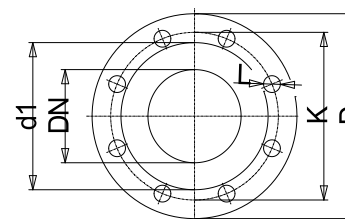
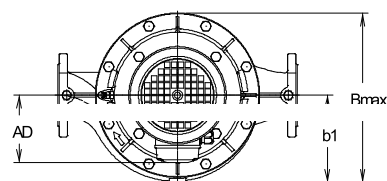
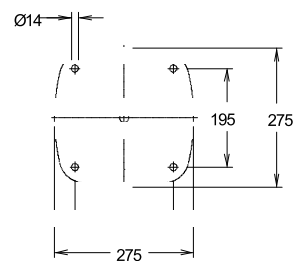
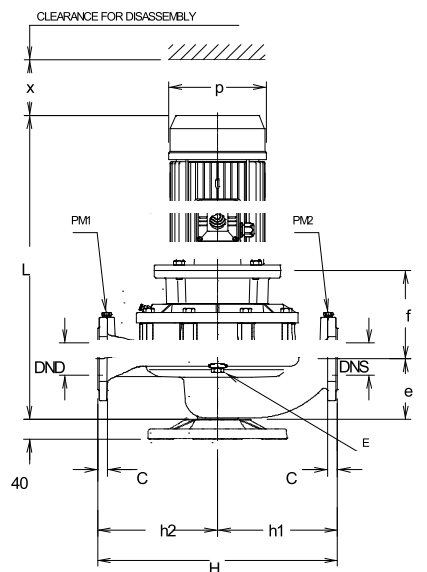
# LNES 100-315/300/L46UCC4

## Dimensions

Company name  
Contact  
Phone number  
e-mail address

Rigid coupling  
with support foot  
3MAS 200 L B5 30 kW

Electrical and dimensional data refer to IE3 motor



Value C, D may vary from Standard

Dimensions		[ inch ]	
AD	11 <sup>13</sup> / <sub>16</sub>		
b1	9 <sup>5</sup> / <sub>8</sub>		
Bmax	17 <sup>3</sup> / <sub>4</sub>		
DNd	3 <sup>15</sup> / <sub>16</sub>		
DNs	3 <sup>15</sup> / <sub>16</sub>		
e	6 <sup>7</sup> / <sub>8</sub>		
f	9 <sup>11</sup> / <sub>16</sub>		
H	26 <sup>3</sup> / <sub>8</sub>		
h1	14 <sup>3</sup> / <sub>16</sub>		
h2	12 <sup>3</sup> / <sub>16</sub>		
L	43		
p	16 <sup>1</sup> / <sub>16</sub>		
x	5 <sup>1</sup> / <sub>2</sub>		

Weight	
Total weight	309.5 kg

Connections			
Suction nozzle		Discharge nozzle	
DN100		DN100	
PN10/16		PN10/16	
EN1092-2		EN1092-2	
C	1 <sup>5</sup> / <sub>16</sub>	C	1 <sup>5</sup> / <sub>16</sub>
D	9 <sup>1</sup> / <sub>16</sub>	D	9 <sup>1</sup> / <sub>16</sub>
d1	6 <sup>3</sup> / <sub>16</sub>	d1	6 <sup>3</sup> / <sub>16</sub>
K	7 <sup>1</sup> / <sub>16</sub>	K	7 <sup>1</sup> / <sub>16</sub>
L	3 <sup>3</sup> / <sub>4</sub>	L	3 <sup>3</sup> / <sub>4</sub>
Z	5 <sup>1</sup> / <sub>16</sub>	Z	5 <sup>1</sup> / <sub>16</sub>

### Dimensions and weight without obligation

Project Xlect-20070985  
Block LNES 100-315/300/L46UCC4

Created by  
Created on 1/19/2025

Last update 1/19/2025