

# LNES 125-250/75/P45VCC4

## Technical data

Company name  
Contact  
Phone number  
e-mail address

Operating data			
1	Pumpe type	Single head pump	Fluid Water
2	No. of pumps	1	Operating temperature t A °C 4
3	Nominal flow	m <sup>3</sup> /h 0	Max / Min Operating Temperature mech. Seal °C 120 / -25
4	Nominal head	m 0	pH-value at t A 7
5	Static head	m 0	Density at t A kg/m <sup>3</sup> 1000
6	Inlet pressure	kPa 0	Kin. viscosity at t A mm <sup>2</sup> /s 1.569
7	Environmental temperature	°C 20	Vapor pressure at t A kPa 100
8	Available system NPSH	m 0	Altitude 0

Pump data			
9	Lubrication	32	
10	Execution	without support foot	
11	Design	In-line	
12	Operating speed	1465 rpm	Stages 1
13	Suction nozzle	DN125 / PN10/16 / EN1092-2	Impeller Ø
14	Discharge nozzle	DN125 / PN10/16 / EN1092-2	
15	Max. casing pressure	kPa 1600	Flow
16	Max. working pressure	kPa 176.5	
17	Impeller type	Radial impeller	
18	Head H(Q=0)	m 18	Head
19	Max. shaft power	kW 7.3	
20	Pump weight	kg	Shaft power kW
21	Total weight	kg 185.0	
			Efficiency %
			NPSH 3% m

Materials			
22		<b>Pump</b>	<b>Shaft Seal</b>
23	Impeller	Cast iron, 0.6020	Single mechanical seal, without shaft sleeve
24	Casing	Cast iron, 0.6025	eMG12 - Ø38mm
25	casing cover	Cast iron, 0.6025	Mechanical seal diameter
26	Wear ring	stainless steel, 1.4301 (1.4408)	38 mm
27	Shaft	Stainless steel, 1.4057	1. Rotating ring
28	O-ring	EPDM	2. Stationary ring
29	Bearing frame	Cast iron, 0.6025	3. Secondary seal
30			4. Springs
31			5. Others
32			Gaskets of the pump
33			
34			
35			
36			
37			
38			
39			
40			
41			

Motor data			
Electrical and dimensional data refer to IE3 motor			
42	Manufacturer	Lowara	
43	Specific design	IE3 3ph Flange Motor - Premium Efficiency	
44	Type	PLM 132 B5 7,5 kW	
45	Rated power	7.5 kW	Rated current 15.2 A
46	Nominal speed	1455 rpm	Rated voltage 400 V
47	Frame size	132	Service factor 1
48	Weight	kg 66.6	Degree of protection IP55

Remarks	
49	
50	
50	
52	

# LNES 125-250/75/P45VCC4

## Performance curve

Company name  
Contact  
Phone number  
e-mail address

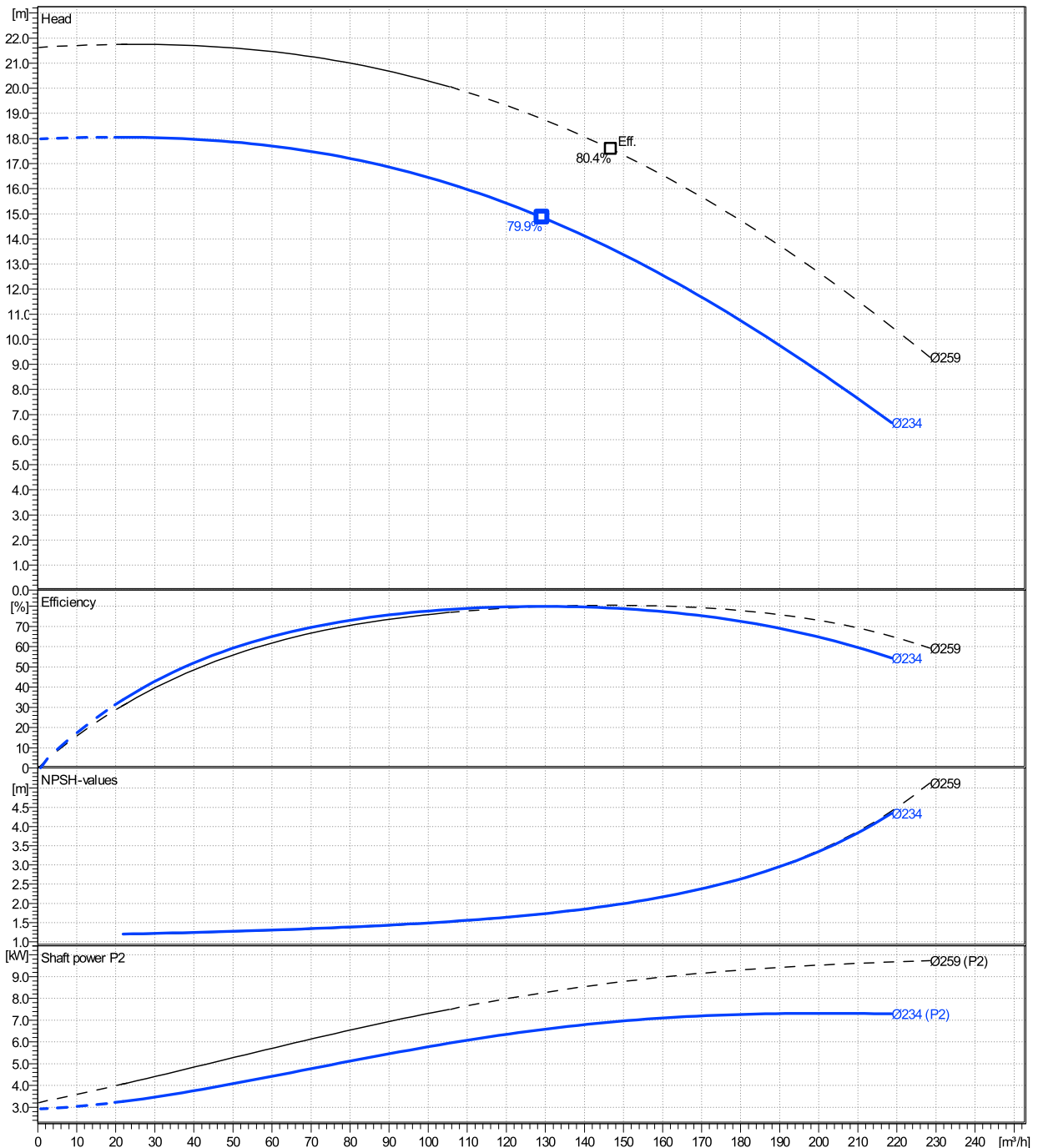
	Ø mm	Pump capacity Operating range			Pump head		Shaft power P2			Frequency		Hz	50
		Min. m³/h	Max. m³/h	η m³/h	H(Q=0) m	η m	P2(Q=0) kW	Max. kW	η kW	Operating speed rpm	1465		
actual	234	21.9	219	129	18	14.9		7.31	6.57	Nominal flow	m³/h	0	
Min.	0	/	/	129	18	14.9		/	6.57	Nominal head	m	0	
Max.	259	/	/	147	21.6	17.6		/	8.7	Inlet pressure	kPa	0	
										Static head	m	0	

Power datas referred to:

hydr. Performance acceptance acc. To EN ISO 9906 Class Grade 3B

Water [100%] ; 4°C; 1000kg/m³; 1.57mm²/s

MEI: >=0,70 - according to Ecodesign Directive 2009/125/EC and Regulation (EU) No.547/2012



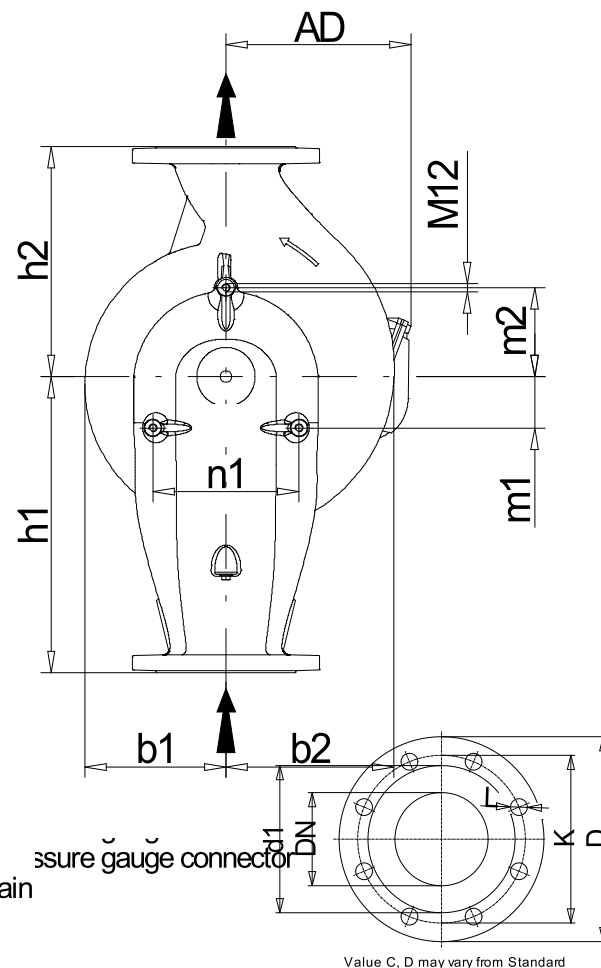
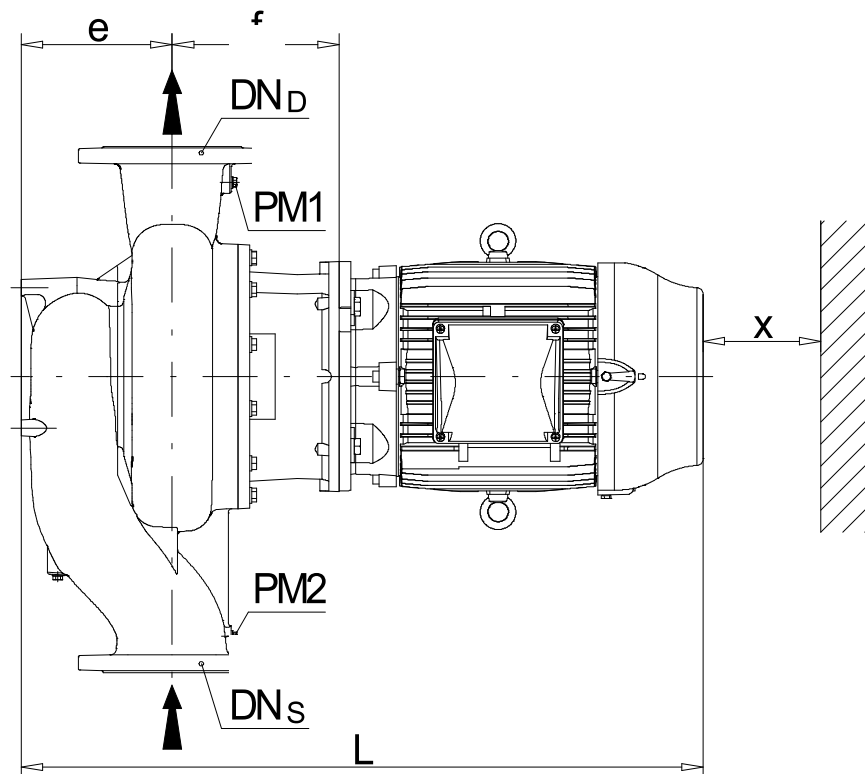
# LNES 125-250/75/P45VCC4

## Dimensions

Company name  
Contact  
Phone number  
e-mail address

Rigid coupling  
without support foot  
PLM 132 B5 7,5 kW

Electrical and dimensional data refer to IE3 motor



Dimensions		[ mm ]	
AD	191		
b1	223		
b2	275		
DNd	125		
DNs	125		
e	230		
E	3/8"		
f	215		
H	800		
h1	450		
h2	350		
L	850		
m1	63		
m2	110		
n1	180		
PM1	1/4"		
PM2	3/8"		
Type	A		
x	140		

Weight	
Total weight	185 kg

Connections			
Suction nozzle		Discharge nozzle	
DN125		DN125	
PN10/16		PN10/16	
EN1092-2		EN1092-2	
C	26	C	26
D	255	D	255
d1	184	d1	184
K	210	K	210
L	19	L	19
z	8	z	8

### Dimensions and weight without obligation

Project	Xylect-20128214	Created by		Last update	12/21/2024
Block	LNES 125-250/110/P45VCC4	Created on	12/21/2024		