

LNES 150-200/150/P46PCC4

Technical data

Company name
Contact
Phone number
e-mail address

Operating data			
1	Pumpe type	Single head pump	Fluid Water
2	No. of pumps	1	Operating temperature t A °F 39.2
3	Nominal flow	US g.p.m. 0	Max / Min Operating Temperature mech. Seal °F 120 / -25
4	Nominal head	ft 0	pH-value at t A 7
5	Static head	ft 0	Density at t A lb/ft³ 62.4
6	Inlet pressure	psi 0	Kin. viscosity at t A ft²/s 1.689E-5
7	Environmental temperature	°F 68	Vapor pressure at t A psi 14.5
8	Available system NPSH	ft 0	Altitude 0

Pump data			
9	Lubrication	32	
10	Execution	with support foot	
11	Design	In-line	
12	Operating speed	1765 rpm	Stages 1
13	Suction nozzle	DN150 / PN10/16 / EN1092-2	Impeller Ø
14	Discharge nozzle	DN150 / PN10/16 / EN1092-2	
15	Max. casing pressure	psi 232	Flow
16	Max. working pressure	psi 28.6	
17	Impeller type	Radial impeller	
18	Head H(Q=0)	ft 66	Head
19	Max. shaft power	hp 19.2	
20	Pump weight	kg	Shaft power hp
21	Total weight	lb 571.0	
			Efficiency %
			NPSH 3% ft

Materials			
22		Pump	Shaft Seal
23	Impeller	Cast iron, 0.6020	Single mechanical seal, without shaft sleeve
24	Casing	Cast iron, 0.6025	eMG12 - Ø38mm BQ7EGG-WA
25	casing cover	Cast iron, 0.6025	Mechanical seal diameter 1 1/2 inch
26	Wear ring	stainless steel, 1.4301 (1.4408)	1. Rotating ring Carbon graphite resin impregnated
27	Shaft	Stainless steel, 1.4057	2. Stationary ring SiC, silicon carbide, sintered press.less
28	O-ring	EPDM	3. Secondary seal Ethylene propylene rubber (EPDM)
29	Bearing frame	Cast iron, 0.6025	4. Springs CrNiMo - Steel
30			5. Others EPDM - WRAS
31			Gaskets of the pump Ethylene propylene rubber (EPDM)
32			
33			
34			
35			
36			
37			
38			
39			
40			
41			

Motor data			
Electrical and dimensional data refer to IE3 motor			
42	Manufacturer	Lowara	
43	Specific design	IE3 3ph Flange Motor - Premium Efficiency	
44	Type	PLM 160 B5 15 kW	
45	Rated power	20.115 hp	Rated current 29.9 A
46	Nominal speed	1764 rpm	Rated voltage 380 V
47	Frame size	160	Service factor 1
48	Weight	lb 283.3	Degree of protection IP55

Remarks	
49	
50	
50	
52	

LNES 150-200/150/P46PCC4

Performance curve

Company name
Contact
Phone number
e-mail address

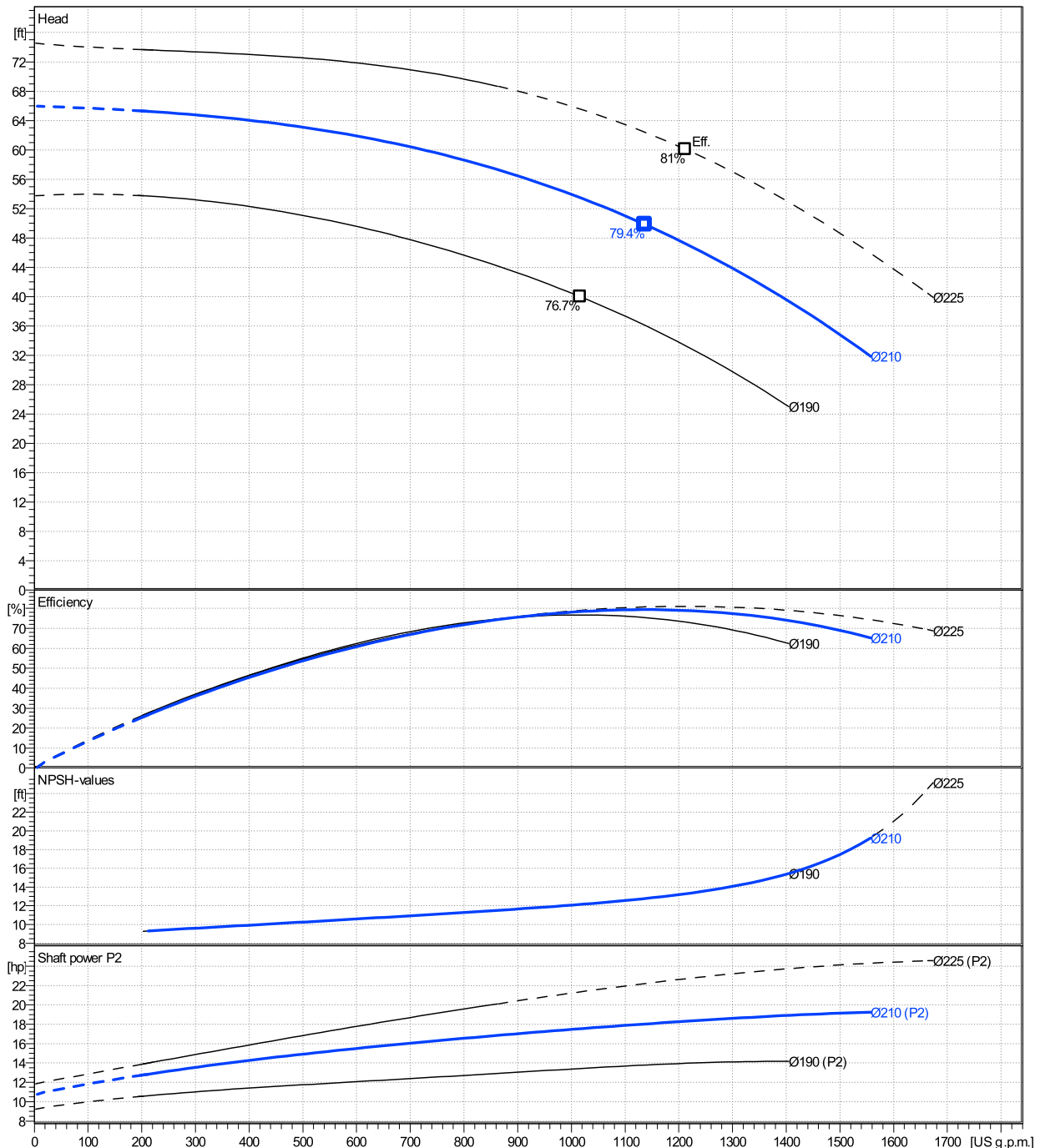
	Ø mm	Pump capacity Operating range η			Pump head η		Shaft power P2 η			Frequency	Hz	60
		Min. US g.p.m.	Max. US g.p.m.	Max. US g.p.m.	H(Q=0) ft	Max. ft	P2(Q=0) hp	Max. hp	Max. hp	Operating speed	rpm	1765
actual	8 1/4	212	1560	1140	66	49.8	19.2	18	Nominal flow	US g.p.m.	0	
Min.	0	/	/	1020	53.7	40	/	13.4	Nominal head	ft	0	
Max.	8 7/8	/	/	1210	74.5	60.1	/	22.7	Inlet pressure	psi	0	
									Static head	ft	0	

Power datas referred to:

hydr. Performance acceptance acc. To EN ISO 9906 Class Grade 3B

Water [100%] ; 39.2°F ; 62.4lb/ft³ ; 1.69E-5ft²/s

MEI: 0,62 - according to Ecodesign Directive 2009/125/EC and Regulation (EU) No.547/2012



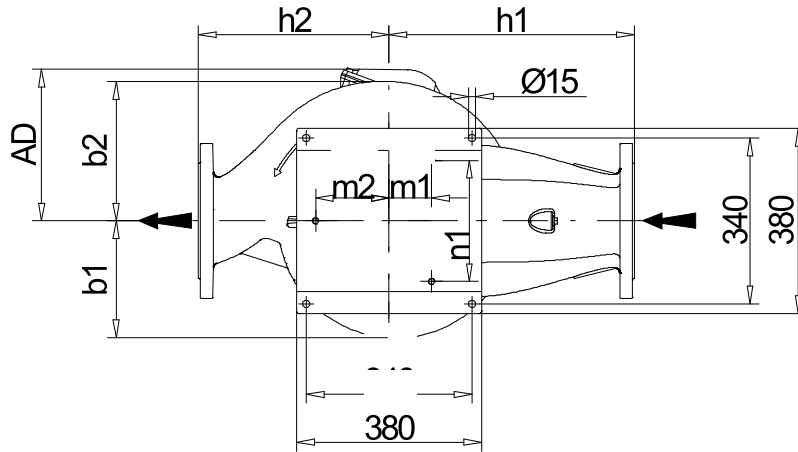
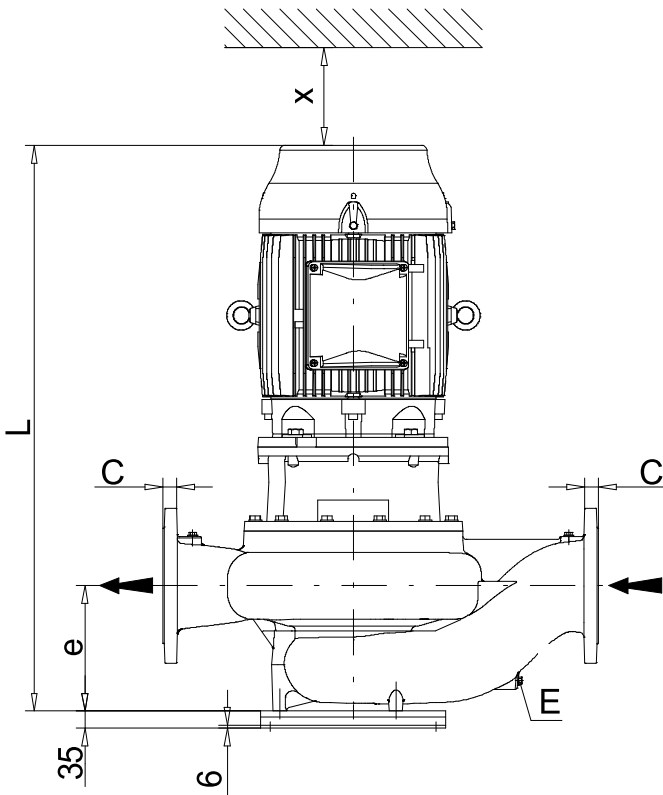
LNES 150-200/150/P46PCC4

Dimensions

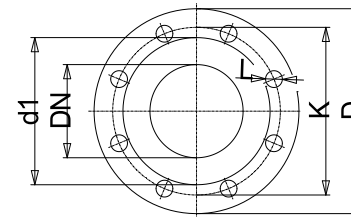
Company name
Contact
Phone number
e-mail address

Rigid coupling
with support foot
PLM 160 B5 15 kW

Electrical and dimensional data refer to IE3 motor



Pressure gauge connector
E...Drain



Value C, D may vary from Standard

Dimensions		[inch]	
AD	9 ⁷ / ₁₆		
b1	7 ³ / ₁₆		
b2	9 ¹⁵ / ₁₆		
DNd	5 ⁷ / ₈		
DNs	5 ⁷ / ₈		
e	9 ¹ / ₁₆		
E	3/8"		
f	10 ¹ / ₁₆		
H	31 ¹ / ₂		
h1	17 ¹¹ / ₁₆		
h2	13 ³ / ₄		
L	38 ⁹ / ₁₆		
m1	2 ¹⁵ / ₁₆		
m2	5 ¹ / ₈		
n1	8 ³ / ₈		
PM1	1/4"		
PM2	3/8"		
Type	B		
x	5 ¹ / ₂		

Weight	
Total weight	259 kg

Connections			
Suction nozzle		Discharge nozzle	
DN150		DN150	
PN10/16		PN10/16	
EN1092-2		EN1092-2	
C	1 ¹ / ₃₂	C	1 ¹ / ₃₂
D	11 ¹ / ₄	D	11 ¹ / ₄
d1	8 ⁵ / ₁₆	d1	8 ⁵ / ₁₆
K	9 ⁷ / ₁₆	K	9 ⁷ / ₁₆
L	7 ⁷ / ₈	L	7 ⁷ / ₈
Z	5 ¹ / ₁₆	Z	5 ¹ / ₁₆

Dimensions and weight without obligation

Project	Xylect-20070985	Created by		Last update	1/19/2025
Block	LNES 150-200/185/L46UCC4	Created on	1/19/2025		