

LNES 150-200/55/P45VCC4

Technical data

Company name
Contact
Phone number
e-mail address

Operating data			
1	Pumpe type	Single head pump	Fluid Water
2	No. of pumps	1	Operating temperature t A °C 4
3	Nominal flow	m³/h 0	Max / Min Operating Temperature mech. Seal °C 120 / -25
4	Nominal head	m 0	pH-value at t A 7
5	Static head	m 0	Density at t A kg/m³ 1000
6	Inlet pressure	kPa 0	Kin. viscosity at t A mm²/s 1.569
7	Environmental temperature	°C 20	Vapor pressure at t A kPa 100
8	Available system NPSH	m 0	Altitude 0

Pump data			
9	Lubrication	32	
10	Execution	without support foot	
11	Design	In-line	
12	Operating speed	1465 rpm	Stages 1
13	Suction nozzle	DN150 / PN10/16 / EN1092-2	Impeller Ø
14	Discharge nozzle	DN150 / PN10/16 / EN1092-2	
15	Max. casing pressure	kPa 1600	Flow
16	Max. working pressure	kPa 96.9	
17	Impeller type	Radial impeller	
18	Head H(Q=0)	m 9.9	Head
19	Max. shaft power	kW 5.1	
20	Pump weight	kg	Shaft power kW
21	Total weight	kg 178.0	
			Efficiency %
			NPSH 3% m

Materials			
22		Pump	Shaft Seal
23	Impeller	Cast iron, 0.6020	Single mechanical seal, without shaft sleeve
24	Casing	Cast iron, 0.6025	eMG12 - Ø38mm BQ7EGG-WA
25	casing cover	Cast iron, 0.6025	Mechanical seal diameter 38 mm
26	Wear ring	stainless steel, 1.4301 (1.4408)	1. Rotating ring Carbon graphite resin impregnated
27	Shaft	Stainless steel, 1.4057	2. Stationary ring SiC, silicon carbide, sintered press.less
28	O-ring	EPDM	3. Secondary seal Ethylene propylene rubber (EPDM)
29	Bearing frame	Cast iron, 0.6025	4. Springs CrNiMo - Steel
30			5. Others EPDM - WRAS
31			Gaskets of the pump Ethylene propylene rubber (EPDM)
32			
33			
34			
35			
36			
37			
38			
39			
40			
41			

Motor data			
Electrical and dimensional data refer to IE3 motor			
42	Manufacturer	Lowara	
43	Specific design	IE3 3ph Flange Motor - Premium Efficiency	
44	Type	PLM 132 B5 5,5 kW	
45	Rated power	5.5 kW	Rated current 11.5 A
46	Nominal speed	1465 rpm	Rated voltage 400 V
47	Frame size	132	Service factor 1
48	Weight	kg 62.6	Degree of protection IP55

Remarks	
49	
50	
50	
52	

LNES 150-200/55/P45VCC4

Performance curve

Company name
Contact
Phone number
e-mail address

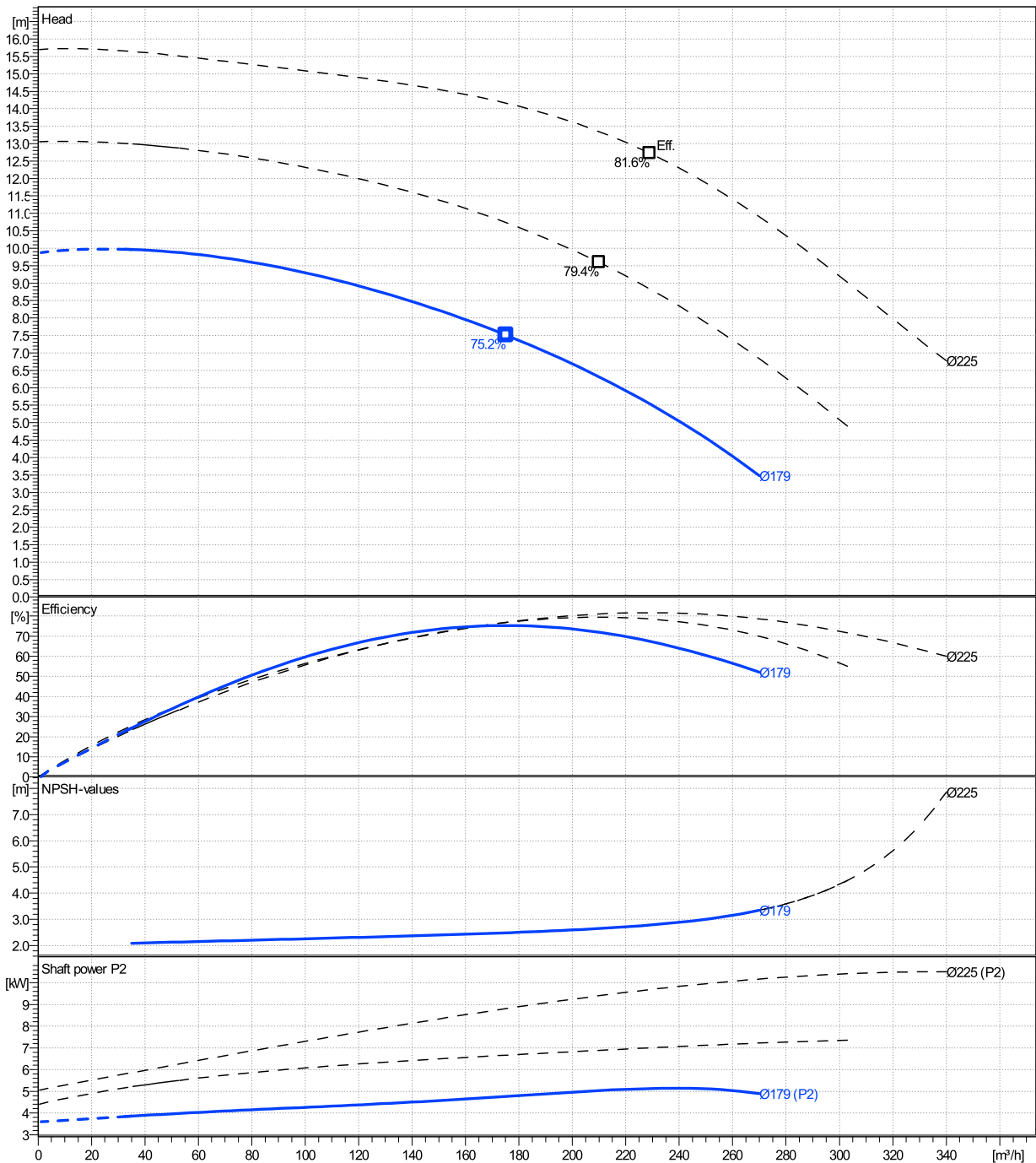
	Ø mm	Pump capacity η			Pump head η		Shaft power P2 η			Frequency Hz		
		Min. m³/h	Max. m³/h	Max. m³/h	H(Q=0) m	Max. m	P2(Q=0) kW	Max. kW	Max. kW	Operating speed rpm	1465	
actual	179	35	270	175	9.88	7.51	5.14	4.76	4.76	Nominal flow	m³/h	0
Min.	0	/	/	175	9.88	7.51	/	4.76	4.76	Nominal head	m	0
Max.	225	/	/	229	15.7	12.7	/	9.69	9.69	Inlet pressure	kPa	0
										Static head	m	0

Power datas referred to:

hydr. Performance acceptance acc. To EN ISO 9906 Class Grade 3B

Water [100%] ; 4°C; 1000kg/m³; 1.57mm²/s

MEI: 0,62 - according to Ecodesign Directive 2009/125/EC and Regulation (EU) No.547/2012



LNES 150-200/55/P45VCC4

Dimensions

Company name
Contact
Phone number
e-mail address

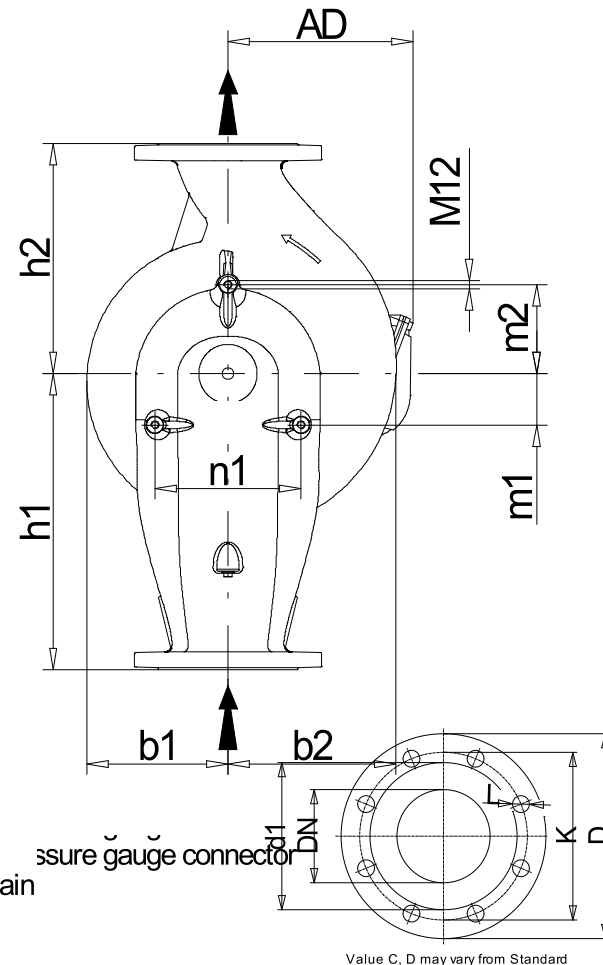
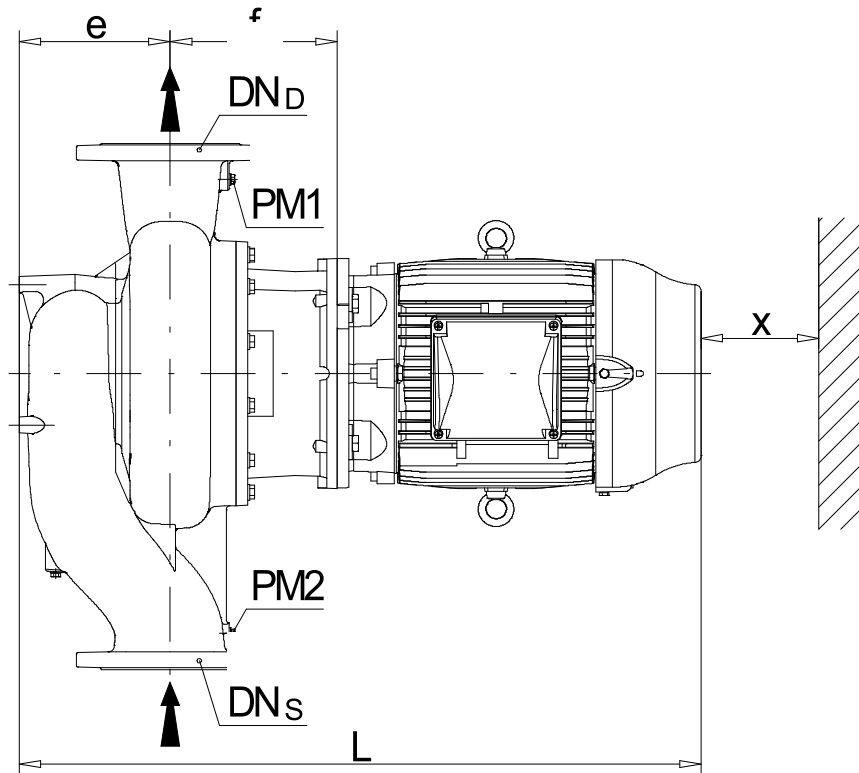
Rigid coupling
without support foot
PLM 132 B5 5,5 kW

Electrical and dimensional data refer to IE3 motor

Dimensions		[mm]	
AD	191		
b1	182		
b2	253		
DNd	150		
DNs	150		
e	230		
E	3/8"		
f	225		
H	800		
h1	450		
h2	350		
L	860		
m1	75		
m2	130		
n1	212		
n1	1/4"		
PM1	3/8"		
PM2	3/8"		
Type	A		
x	140		

Weight	
Total weight	178 kg

Connections			
Suction nozzle		Discharge nozzle	
DN150		DN150	
PN10/16		PN10/16	
EN1092-2		EN1092-2	
C	26	C	26
D	285	D	285
d1	211	d1	211
K	240	K	240
L	23	L	23
z	8	z	8



Dimensions and weight without obligation

Project	Xylect-20128214	Created by		Last update	12/21/2024
Block	LNES 150-200/110/P45VCC4	Created on	12/21/2024		