

LNES 150-315/300/L45VCC4

Technical data

Company name
Contact
Phone number
e-mail address

Operating data					
1	Pumpe type	Single head pump		Fluid	Water
2	No. of pumps	1		Operating temperature t A	°C 4
3	Nominal flow	m ³ /h	0	Max / Min Operating Temperature mech. Seal	°C 120 / -25
4	Nominal head	m	0	pH-value at t A	7
5	Static head	m	0	Density at t A	kg/m ³ 1000
6	Inlet pressure	kPa	0	Kin. viscosity at t A	mm ² /s 1.569
7	Environmental temperature	°C	20	Vapor pressure at t A	kPa 100
8	Available system NPSH	m	0	Altitude	0

Pump data					
9	Lubrication	42			
10	Execution	with support foot			
11	Design	In-line			
12	Operating speed	1470 rpm	Stages	1	
13	Suction nozzle	DN150 /	PN10/16 /	EN1092-2	
14	Discharge nozzle	DN150 /	PN10/16 /	EN1092-2	
15	Max. casing pressure	kPa	1600		
16	Max. working pressure	kPa	348.9		
17	Impeller type	Radial impeller			
18	Head H(Q=0)	m	36		
19	Max. shaft power	kW	29.4		
20	Pump weight	kg			
21	Total weight	kg	348.5		

	Impeller Ø	Max.	mm	334
		designed	mm	315
		Min.	mm	277
		Nominal	m ³ /h	
	Flow	Max-	m ³ /h	390
		Min-	m ³ /h	39
		Nominal	m	
	Head	at Qmax	m	17.6
		at Qmin	m	35.6
		Shaft power	kW	
		Efficiency	%	
		NPSH 3%	m	

Materials					
22		Pump		Shaft Seal	
23	Impeller	Cast iron, 0.6020		Single mechanical seal, without shaft sleeve	
24	Casing	Cast iron, 0.6025		eMG12 - Ø48mm	BQ7EGG-WA
25	casing cover	Cast iron, 0.6025		Mechanical seal diameter	48 mm
26	Wear ring	stainless steel, 1.4301 (1.4408)		1. Rotating ring	Carbon graphite resin impregnated
27	Shaft	Stainless steel, 1.4057		2. Stationary ring	SiC, silicon carbide, sintered press.less
28	O-ring	EPDM		3. Secondary seal	Ethylene propylene rubber (EPDM)
29	Bearing frame	Cast iron, 0.6025		4. Springs	CrNiMo - Steel
30				5. Others	EPDM - WRAS
31				Gaskets of the pump	Ethylene propylene rubber (EPDM)
32					
33					
34					
35					
36					
37					
38					
39					
40					
41					

Motor data					
Electrical and dimensional data refer to IE3 motor					
42	Manufacturer	Lowara			
43	Specific design	IE3 3ph Flange Motor - Premium Efficiency			
44	Type	3MAS 200 L B5 30 kW			
45	Rated power	30 kW	Rated current	53.3 A	
46	Nominal speed	1475 rpm	Rated voltage	400 V	
47	Frame size	200 L	Service factor	1	
48	Weight	kg 207.5	Degree of protection	IP55	

Remarks					
49					
50					
50					
52					

LNES 150-315/300/L45VCC4

Performance curve

Company name
Contact
Phone number
e-mail address

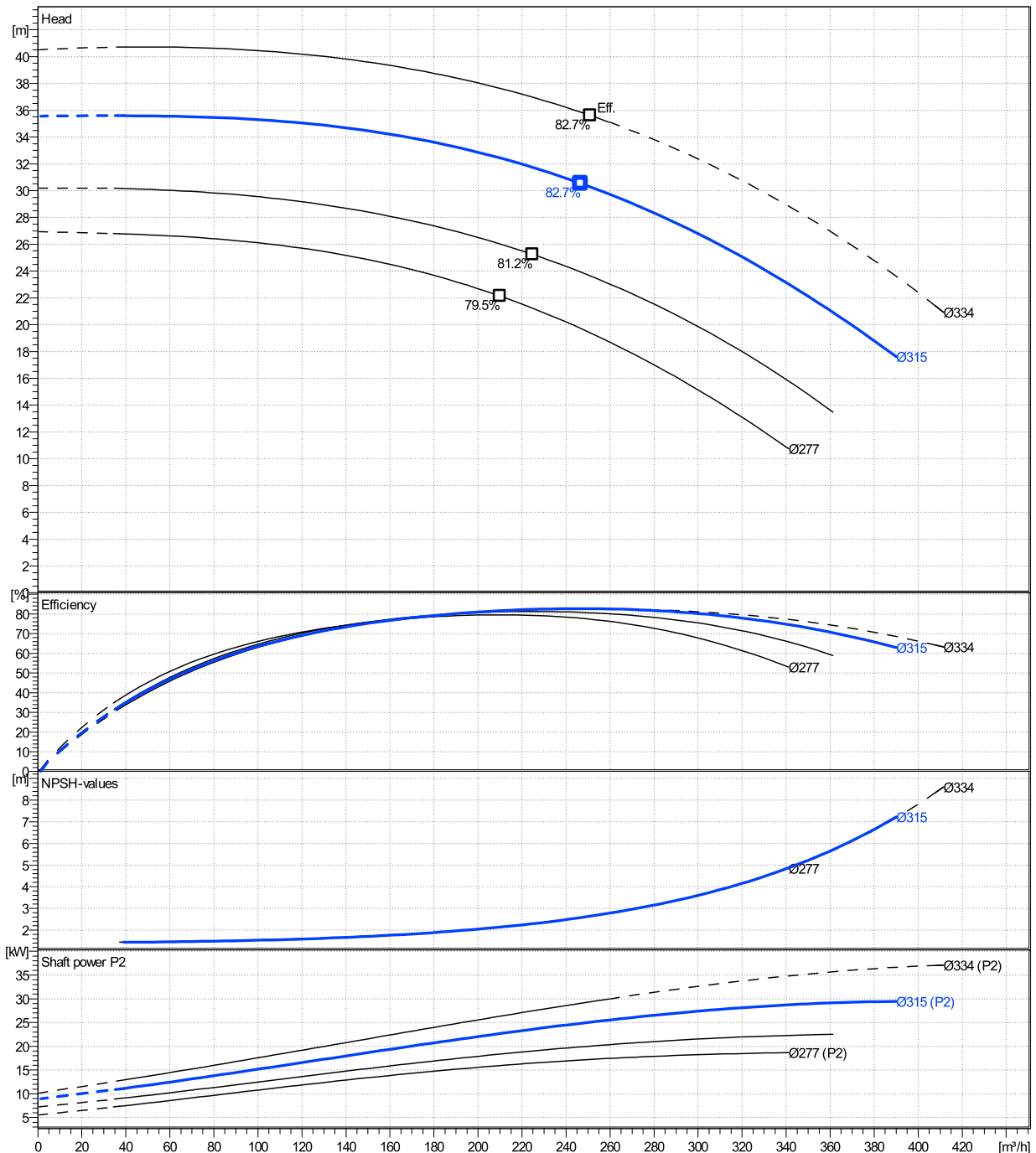
	Ø mm	Pump capacity			Pump head		Shaft power P2			Frequency	Hz	50
		Operating range Min. m³/h	Max. m³/h	η Max. m³/h	H(Q=0) m	η Max. m	P2(Q=0) kW	Max. kW	η Max. kW	Operating speed	rpm	1470
actual	315	39	390	247	35.6	30.5		29.4	24.8	Nominal flow	m³/h	0
Min.	0	/	/	210	26.9	22.1		/	15.9	Nominal head	m	0
Max.	334	/	/	251	40.5	35.6		/	29.4	Inlet pressure	kPa	0
										Static head	m	0

Power datas referred to:

hydr. Performance acceptance acc. To EN ISO 9906 Class Grade 3B

Water [100%] ; 4°C; 1000kg/m³; 1.57mm²/s

MEI: >=0,70 - according to Ecodesign Directive 2009/125/EC and Regulation (EU) No.547/2012



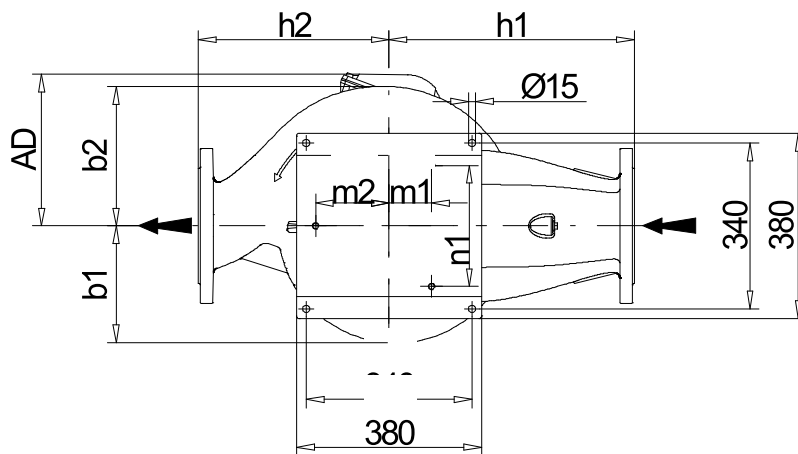
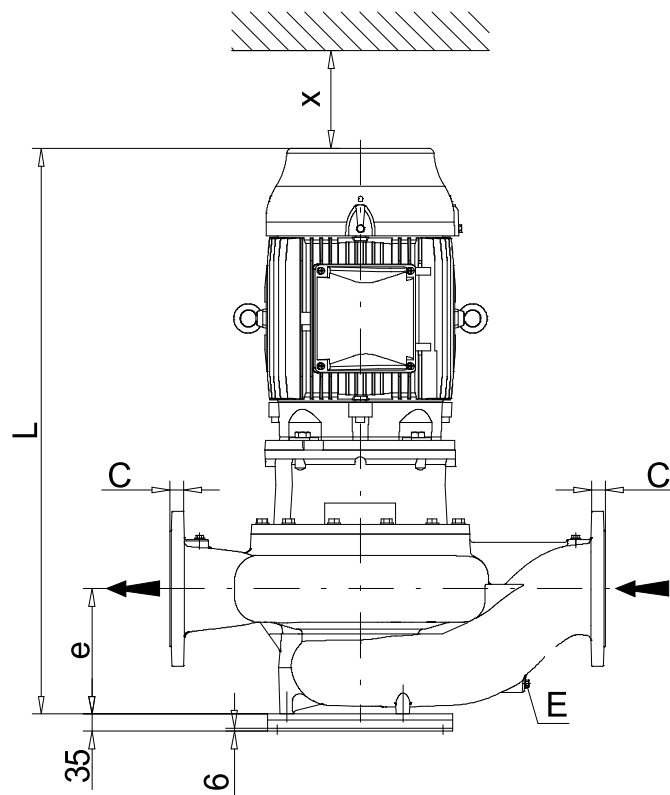
LNES 150-315/300/L45VCC4

Dimensions

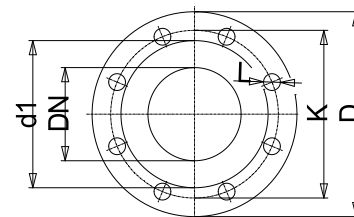
Company name
Contact
Phone number
e-mail address

Rigid coupling
with support foot
3MAS 200 L B5 30 kW

Electrical and dimensional data refer to IE3 motor



Pressure gauge connector
E...Drain



Value C, D may vary from Standard

Dimensions		[mm]	
AD	300		
b1	215		
b2	257		
DNd	150		
DNs	150		
e	230		
E	3/8"		
f	254		
H	800		
h1	450		
h2	350		
L	1155		
m1	78		
m2	135		
n1	222		
PM1	1/4"		
PM2	3/8"		
Type	B		
x	140		

Weight	
Total weight	348.5 kg

Connections			
Suction nozzle		Discharge nozzle	
DN150		DN150	
PN10/16		PN10/16	
EN1092-2		EN1092-2	
C	26	C	26
D	285	D	285
d1	211	d1	211
K	240	K	240
L	23	L	23
z	8	z	8

Dimensions and weight without obligation

Project	Xylect-20128214	Created by		Last update	12/21/2024
Block	LNES 150-315/370/L45VCC4	Created on	12/21/2024		