

LNES 200-315/750/L46UCC4 E4

Technical data

Company name
Contact
Phone number
e-mail address

Operating data					
1	Pumpe type	Single head pump	Fluid	Water	
2	No. of pumps	1	Operating temperature t A	°F	39.2
3	Nominal flow	US g.p.m. 0	Max / Min Operating Temperature mech. Seal	°F	120 / -25
4	Nominal head	ft 0	pH-value at t A		7
5	Static head	ft 0	Density at t A	lb/ft ³	62.4
6	Inlet pressure	psi 0	Kin. viscosity at t A	ft ² /s	1.689E-5
7	Environmental temperature	°F 68	Vapor pressure at t A	psi	14.5
8	Available system NPSH	ft 0	Altitude		0

Pump data					
9	Lubrication	42			
10	Execution	with support foot			
11	Design	In-line			
12	Operating speed	1775 rpm	Stages	1	
13	Suction nozzle	DN200 / PN16 / EN1092-2	Impeller Ø	Max. designed	inch 13 1/8
14	Discharge nozzle	DN200 / PN16 / EN1092-2	Flow	Min.	inch 10 11/16
15	Max. casing pressure	psi 232		Nominal	US g.p.m.
16	Max. working pressure	psi 70.5		Max-	US g.p.m. 3184.6
17	Impeller type	Radial impeller		Min-	US g.p.m. 416.5
18	Head H(Q=0)	ft 160	Head	Nominal	ft
19	Max. shaft power	hp 97.7		at Qmax	ft 75
20	Pump weight	kg	Shaft power	at Qmin	ft 162.8
21	Total weight	lb 1,893.3	Efficiency		
			NPSH 3%		

Materials					
22		Pump		Shaft Seal	
23	Impeller	Cast iron, 0.6020		Single mechanical seal, without shaft sleeve	
24	Casing	Cast iron, 0.6025		eMG12 - Ø48mm	BQ7EGG-WA
25	casing cover	Cast iron, 0.6025		Mechanical seal diameter	1 7/8 inch
26	Wear ring	stainless steel, 1.4301 (1.4408)		1. Rotating ring	Carbon graphite resin impregnated
27	Shaft	Stainless steel, 1.4057		2. Stationary ring	SiC, silicon carbide, sintered press.less
28	O-ring	EPDM		3. Secondary seal	Ethylene propylene rubber (EPDM)
29	Bearing frame	Cast iron, 0.6025		4. Springs	CrNiMo - Steel
30				5. Others	EPDM - WRAS
31				Gaskets of the pump	Ethylene propylene rubber (EPDM)
32					
33					
34					
35					
36					
37					
38					
39					
40					
41					

Motor data					
Electrical and dimensional data refer to IE4 motor					
42	Manufacturer	Lowara			
43	Specific design	IE4 3ph Flange Motor - Super Premium Efficiency			
44	Type	3MGS 280 S B5 75 kW E4			
45	Rated power	100.58 hp	Rated current	141 A	
46	Nominal speed	1788 rpm	Rated voltage	380 V	
47	Frame size	280 S	Service factor	1	
48	Weight	lb 1,562.6	Degree of protection	IP55	

Remarks					
49					
50					
50					
52					

Project	Xylect-20070985	Created by		Last update	1/19/2025
Block	LNES 200-315/900/L46UCC4 E4	Created on	1/19/2025		

LNES 200-315/750/L46UCC4 E4

Performance curve

Company name
Contact
Phone number
e-mail address

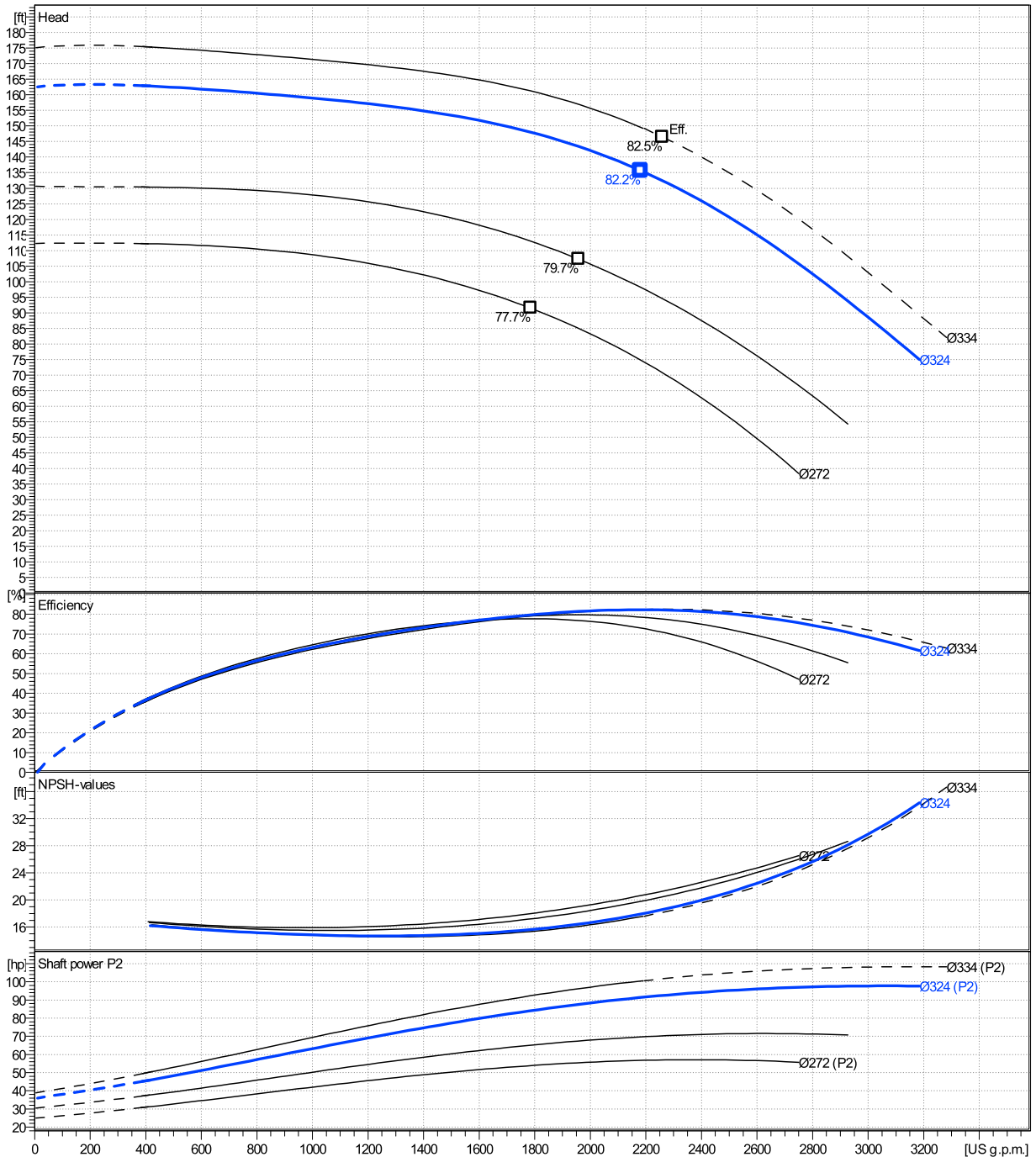
	Ø mm	Pump capacity			Pump head		Shaft power P2			Frequency	Hz	
		Operating range Min. US g.p.m.	Max. US g.p.m.	η Max. US g.p.m.	H(Q=0) ft	η Max. ft	P2(Q=0) hp	Max. hp	η Max. hp	Operating speed	rpm	
actual	12 3/4	417	3180	2180	163	136		97.7	91.4	Nominal flow	US g.p.m.	0
Min.	0	/	/	1780	112	91.5		/	53.9	Nominal head	ft	0
Max.	13 1/8	/	/	2260	175	146		/	102	Inlet pressure	psi	0
										Static head	ft	0

Power datas referred to:

hydr. Performance acceptance acc. To EN ISO 9906 Class Grade 3B

Water [100%]; 39.2°F; 62.4lb/ft³; 1.69E-5ft²/s

MEI: 0.59



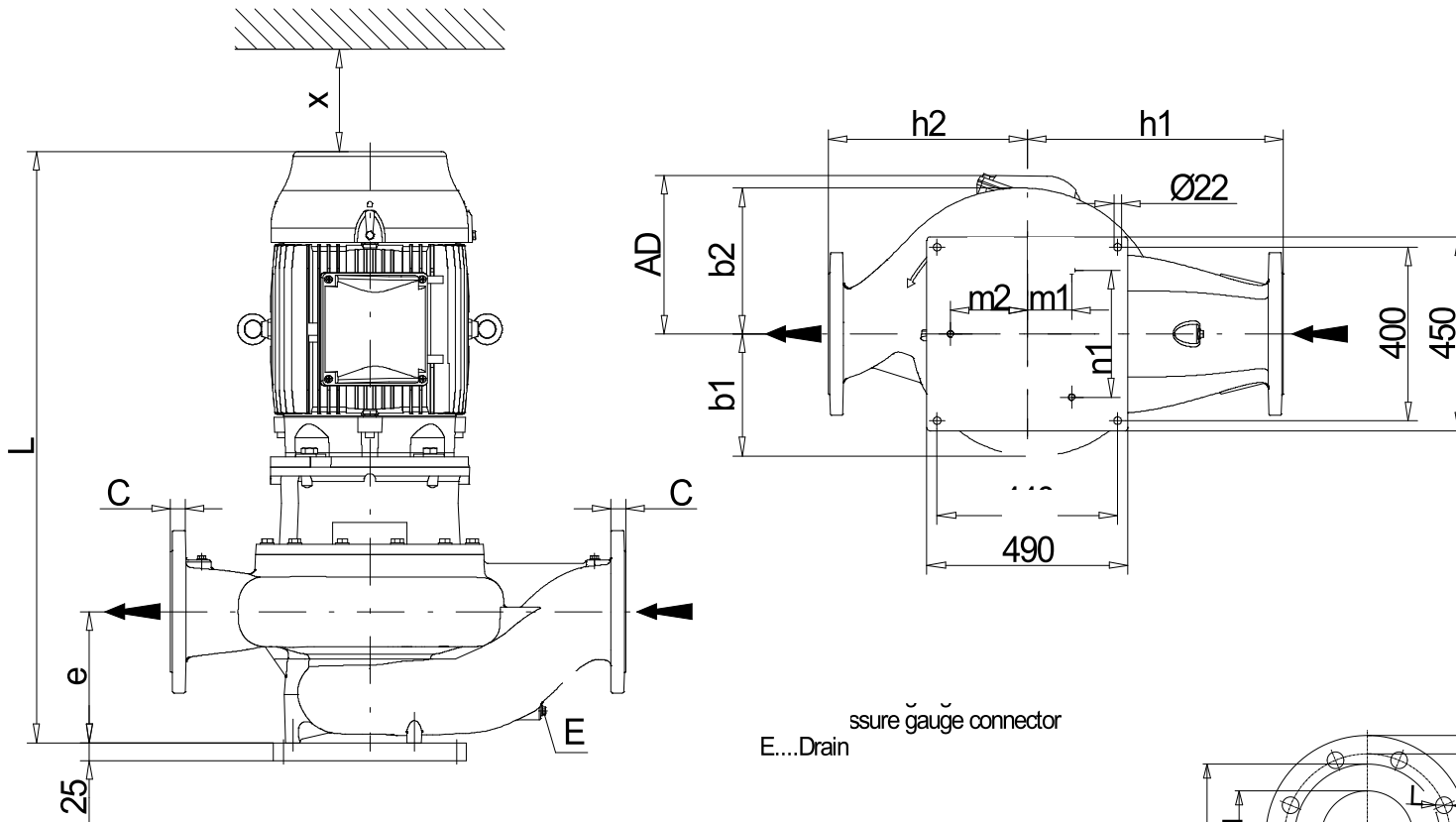
LNES 200-315/750/L46UCC4 E4

Dimensions

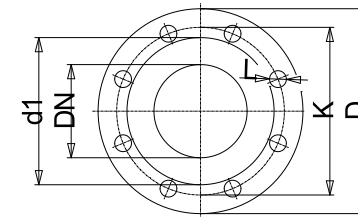
Company name
Contact
Phone number
e-mail address

Rigid coupling
with support foot
3MGS 280 S B5 75 kW E4

Electrical and dimensional data refer to IE4 motor



Pressure gauge connector
E....Drain



Value C, D may vary from Standard

Dimensions		[inch]	
AD	16 ¹ / ₄		
b1	9 ⁵ / ₁₆		
b2	12 ¹ / ₆₄		
DNd	7 ⁷ / ₈		
DNs	7 ⁷ / ₈		
E	1/2"		
e	10 ¹ / ₄		
f	11 ³ / ₁₆		
H	35 ⁷ / ₁₆		
h1	19 ¹¹ / ₁₆		
h2	15 ³ / ₄		
L	55 ³ / ₄		
m1	2 ⁷ / ₈		
m2	5 ¹¹ / ₁₆		
n1	9 ¹³ / ₁₆		
PM1	1/2"		
PM2	1/2"		
Type	C		
x	5 ¹ / ₂		

Weight	
Total weight	858.8 kg

Connections			
Suction nozzle		Discharge nozzle	
DN200		DN200	
PN16		PN16	
EN1092-2		EN1092-2	
C	1 ³ / ₁₆	C	1 ³ / ₁₆
D	13 ⁹ / ₁₆	D	13 ⁹ / ₁₆
d1	10 ¹ / ₂	d1	10 ¹ / ₂
K	11 ⁵ / ₈	K	11 ⁵ / ₈
L	7 ⁷ / ₈	L	7 ⁷ / ₈
z	1/2	z	1/2

Dimensions and weight without obligation

Project	Xylect-20070985	Created by		Last update	1/19/2025
Block	LNES 200-315/900/L46UCC4 E4	Created on	1/19/2025		