

LNES 200-400/300/L65VCC4

Performance curve

Company name
Contact
Phone number
e-mail address

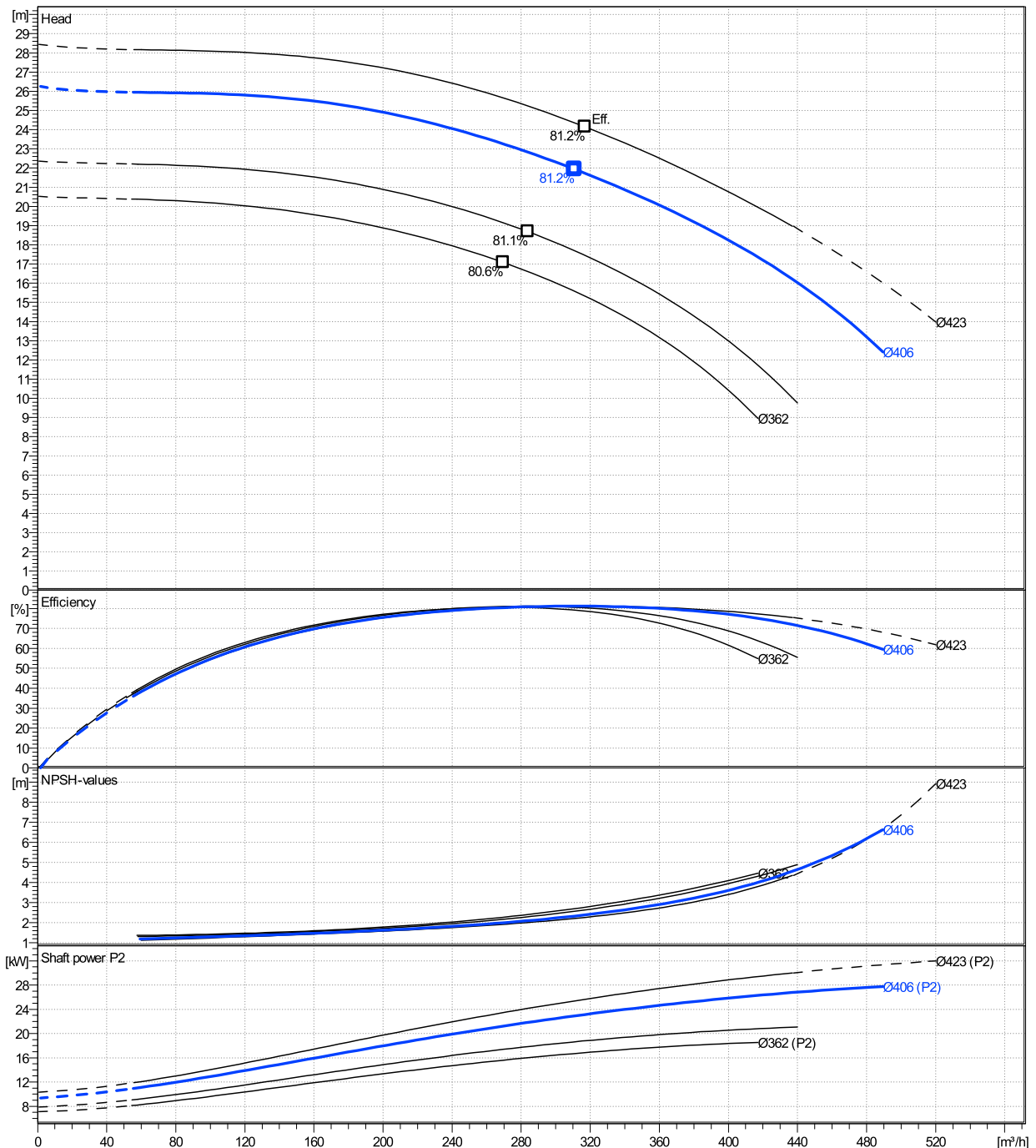
	Ø mm	Pump capacity			Pump head		Shaft power P2			Frequency	Hz
		Operating range Min. m³/h	Max. m³/h	η Max. m³/h	H(Q=0) m	η Max. m	P2(Q=0) kW	Max. kW	η Max. kW	Operating speed	rpm
actual	406	59.3	489	311	26.2	21.9	27.7	22.9	Nominal flow	m³/h	0
Min.	0	/	/	270	20.5	17.1	/	15.6	Nominal head	m	0
Max.	423	/	/	317	28.5	24.1	/	25.7	Inlet pressure	kPa	0
									Static head	m	0

Power datas referred to:

hydr. Performance acceptance acc. To EN ISO 9906 Class Grade 3B

Water [100%] ; 4°C; 1000kg/m³; 1.57mm²/s

MEI: 0,66 - according to Ecodesign Directive 2009/125/EC and Regulation (EU) No.547/2012



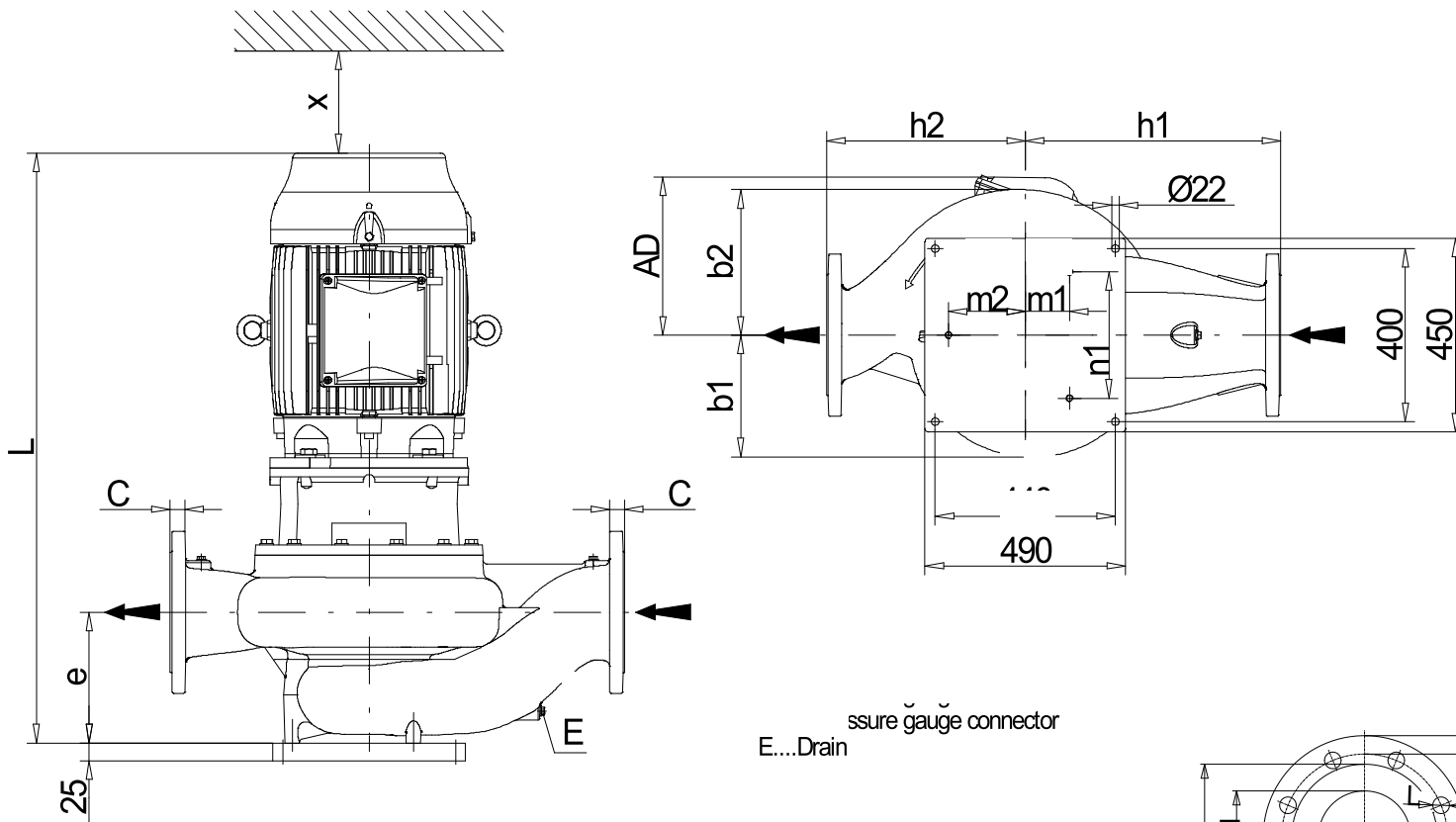
LNES 200-400/300/L65VCC4

Dimensions

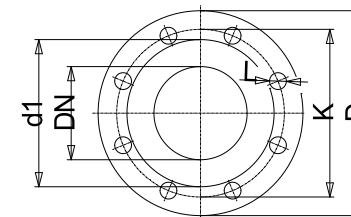
Company name
Contact
Phone number
e-mail address

Rigid coupling
with support foot
3MAS 225 M B5 30 kW

Electrical and dimensional data refer to IE3 motor



Pressure gauge connector
E...Drain



Value C, D may vary from Standard

Dimensions		[mm]
AD	323	
b1	273	
b2	344	
DNd	200	
DNs	200	
E	1/2"	
e	280	
f	284	
H	1100	
h1	625	
h2	475	
L	1330.5	
m1	73	
m2	145	
n1	250	
PM1	1/2"	
PM2	1/2"	
Type	C	
x	140	

Weight	
Total weight	681.8 kg

Connections			
Suction nozzle		Discharge nozzle	
DN200		DN200	
PN16		PN16	
EN1092-2		EN1092-2	
C	30	C	30
D	345	D	345
d1	266	d1	266
K	295	K	295
L	23	L	23
z	12	z	12

Dimensions and weight without obligation

Project	Xylect-20128214	Created by		Last update	12/21/2024
Block	LNES 200-400/900/L45VCC4 E4	Created on	12/21/2024		