

LNES 200-400/900/L45VCC4 E4

Technical data

Company name
Contact
Phone number
e-mail address

Operating data				
1	Pumpe type	Single head pump	Fluid	Water
2	No. of pumps	1	Operating temperature t A	°C 4
3	Nominal flow	m³/h 0	Max / Min Operating Temperature mech. Seal	°C 120 / -25
4	Nominal head	m 0	pH-value at t A	7
5	Static head	m 0	Density at t A	kg/m³ 1000
6	Inlet pressure	kPa 0	Kin. viscosity at t A	mm²/s 1.569
7	Environmental temperature	°C 20	Vapor pressure at t A	kPa 100
8	Available system NPSH	m 0	Altitude	0

Pump data				
9	Lubrication	42		
10	Execution	with support foot		
11	Design	In-line	Impeller Ø	Max. mm 398
12	Operating speed	1485 rpm		designed mm 398
		Stages 1		Min. mm 346
13	Suction nozzle	DN200 / PN16 / EN1092-2		Nominal m³/h
14	Discharge nozzle	DN200 / PN16 / EN1092-2	Flow	Max- m³/h 717
15	Max. casing pressure	kPa 1600		Min- m³/h 77.5
16	Max. working pressure	kPa 560.1		Nominal m
17	Impeller type	Radial impeller	Head	at Qmax m 26.1
18	Head H(Q=0)	m 57		at Qmin m 57.1
19	Max. shaft power	kW 88.2	Shaft power	kW
20	Pump weight	kg	Efficiency	%
21	Total weight	kg 1,035.5	NPSH 3%	m

Materials				
22		Pump		Shaft Seal
23	Impeller	Cast iron, 0.6020	Single mechanical seal, without shaft sleeve	
24	Casing	Cast iron, 0.6025	eMG12 - Ø48mm	BQ7EGG-WA
25	casing cover	Cast iron, 0.6025	Mechanical seal diameter	48 mm
26	Wear ring	stainless steel, 1.4301 (1.4408)	1. Rotating ring	Carbon graphite resin impregnated
27	Shaft	Stainless steel, 1.4057	2. Stationary ring	SiC, silicon carbide, sintered press.less
28	O-ring	EPDM	3. Secondary seal	Ethylene propylene rubber (EPDM)
29	Bearing frame	Cast iron, 0.6025	4. Springs	CrNiMo - Steel
30			5. Others	EPDM - WRAS
31			Gaskets of the pump	Ethylene propylene rubber (EPDM)
32				
33				
34				
35				
36				
37				
38				
39				
40				
41				

Motor data				
Electrical and dimensional data refer to IE4 motor				
42	Manufacturer	Lowara		
43	Specific design	IE4 3ph Flange Motor - Super Premium Efficiency		
44	Type	3MGS 280 M B5 90 kW E4		
45	Rated power	90 kW	Rated current	157 A
46	Nominal speed	1490 rpm	Rated voltage	400 V
47	Frame size	280 M	Service factor	1
48	Weight	kg 795.5	Degree of protection	IP55

Remarks				
49				
50				
50				
52				

LNES 200-400/900/L45VCC4 E4

Performance curve

Company name
Contact
Phone number
e-mail address

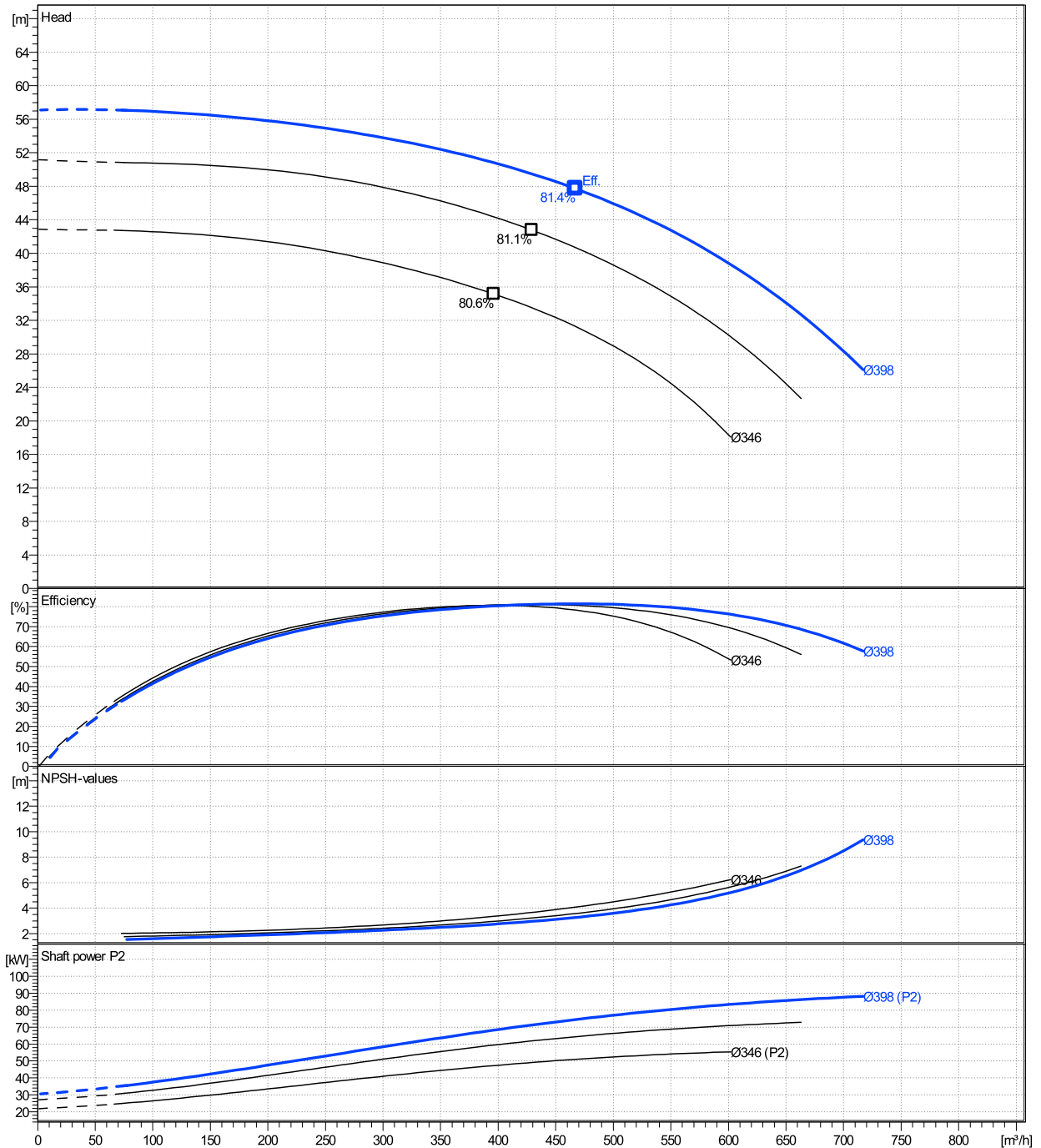
	Ø mm	Pump capacity			Pump head		Shaft power P2			Frequency		Hz	50
		Operating range Min. m³/h	Max. m³/h	η Max. m³/h	H(Q=0) m	η Max. m	P2(Q=0) kW	Max. kW	η Max. kW	Operating speed rpm	1485		
actual	398	77.5	717	467	57.1	47.7	88.2	74.5	81.4%	Nominal flow	m³/h	0	
Min.	0	/	/	396	42.9	35.1	/	47.3		Nominal head	m	0	
Max.	398	/	/	467	57.1	47.7	/	74.5		Inlet pressure	kPa	0	
										Static head	m	0	

Power datas referred to:

hydr. Performance acceptance acc. To EN ISO 9906 Class Grade 3B

Water [100%] ; 4°C; 1000kg/m³; 1.57mm²/s

MEI: 0,66 - according to Ecodesign Directive 2009/125/EC and Regulation (EU) No.547/2012



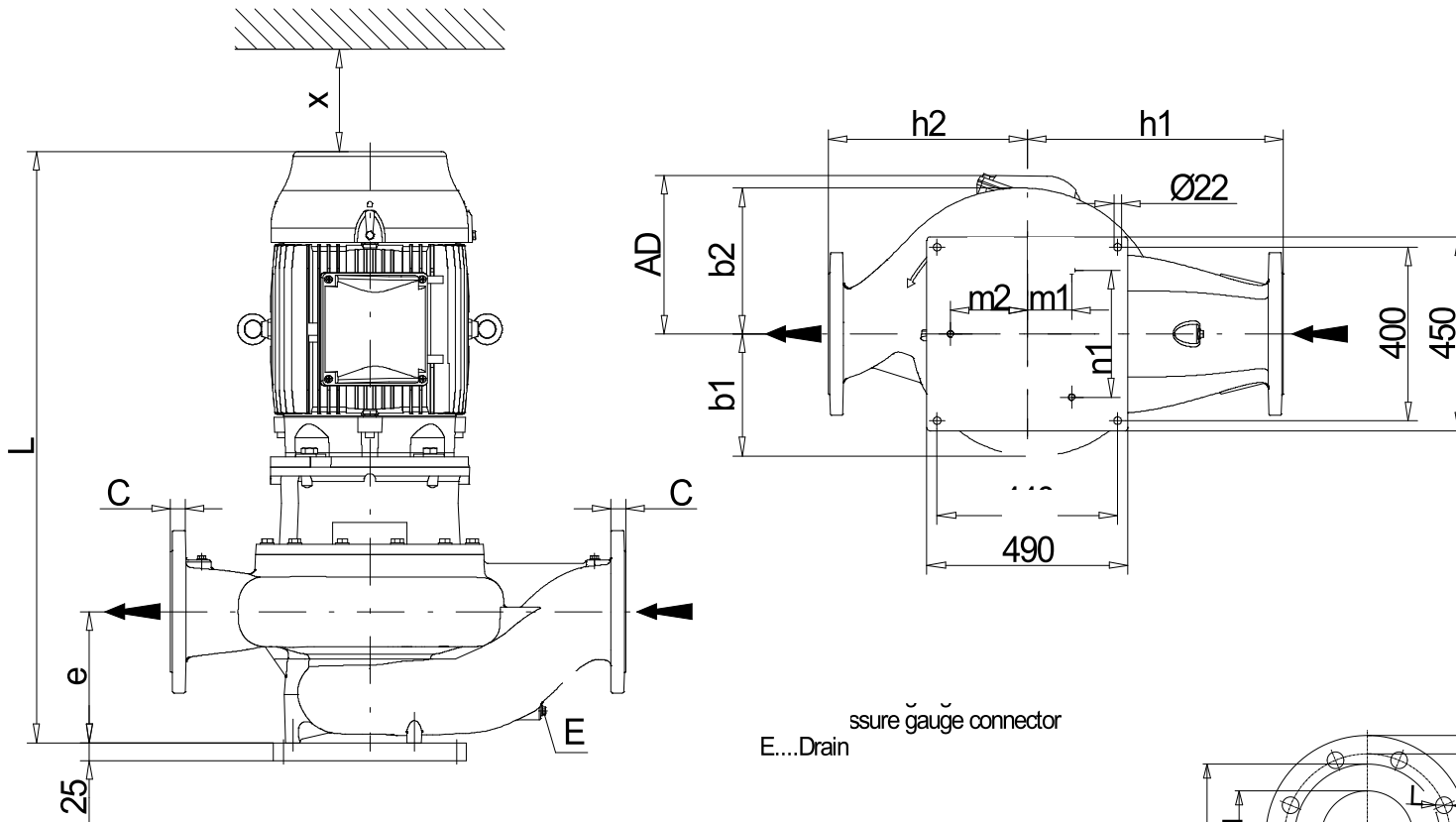
LNES 200-400/900/L45VCC4 E4

Dimensions

Company name
Contact
Phone number
e-mail address

Rigid coupling
with support foot
3MGS 280 M B5 90 kW E4

Electrical and dimensional data refer to IE4 motor



Dimensions [mm]

AD	413
b1	273
b2	344
DNd	200
DNs	200
E	1/2"
e	280
f	284
H	1100
h1	625
h2	475
L	1435.5
m1	73
m2	145
n1	250
PM1	1/2"
PM2	1/2"
Type	C
x	140

Weight

Total weight	1035.5 kg
--------------	-----------

Connections

Suction nozzle		Discharge nozzle	
DN200		DN200	
PN16		PN16	
EN1092-2		EN1092-2	
C	30	C	30
D	345	D	345
d1	266	d1	266
K	295	K	295
L	23	L	23
z	12	z	12

Value C, D may vary from Standard

Dimensions and weight without obligation

Project	Xylect-20128214	Created by		Last update	12/21/2024
Block	LNES 200-400/900/L45VCC4 E4	Created on	12/21/2024		