

LNES 250-315/1100/L46UDC4

Technical data

Company name
Contact
Phone number
e-mail address

Operating data					
1	Pumpe type	Single head pump		Fluid	Water
2	No. of pumps	1		Operating temperature t A	°F 39.2
3	Nominal flow	US g.p.m.	0	Max / Min Operating Temperature mech. Seal	°F 120 / -25
4	Nominal head	ft	0	pH-value at t A	7
5	Static head	ft	0	Density at t A	lb/ft ³ 62.4
6	Inlet pressure	psi	0	Kin. viscosity at t A	ft ² /s 1.689E-5
7	Environmental temperature	°F	68	Vapor pressure at t A	psi 14.5
8	Available system NPSH	ft	0	Altitude	0

Pump data					
9	Lubrication	42			
10	Execution	with support foot			
11	Design	In-line			
12	Operating speed	1780 rpm	Stages	1	
13	Suction nozzle	DN250 / PN16	/ EN1092-2		
14	Discharge nozzle	DN250 / PN16	/ EN1092-2		
15	Max. casing pressure	psi	232		
16	Max. working pressure	psi	70.5		
17	Impeller type	Radial impeller			
18	Head H(Q=0)	ft	160		
19	Max. shaft power	hp	134.9		
20	Pump weight	kg			
21	Total weight	lb	On demand		

Parameter	Unit	Value
Impeller Ø	inch	13 1/8
designed	inch	13 1/8
Min.	inch	10 9/16
Nominal	US g.p.m.	
Max-	US g.p.m.	4623
Min-	US g.p.m.	616.4
Nominal	ft	
at Qmax	ft	72.2
at Qmin	ft	159.2
Shaft power	hp	
Efficiency	%	
NPSH 3%	ft	

Materials					
22		Pump		Shaft Seal	
23	Impeller	Cast iron, 0.6020		Single mechanical seal, without shaft sleeve	
24	Casing	ductile iron, 0.7040		eMG12 - Ø48mm	BQ7EGG-WA
25	casing cover	ductile iron, 0.7040		Mechanical seal diameter	1 7/8 inch
26	Wear ring	stainless steel, 1.4301 (1.4408)		1. Rotating ring	Carbon graphite resin impregnated
27	Shaft	Stainless steel, 1.4057		2. Stationary ring	SiC, silicon carbide, sintered press.less
28	O-ring	EPDM		3. Secondary seal	Ethylene propylene rubber (EPDM)
29	Bearing frame	Cast iron, 0.6025		4. Springs	CrNiMo - Steel
30				5. Others	EPDM - WRAS
31				Gaskets of the pump	Ethylene propylene rubber (EPDM)
32					
33					
34					
35					
36					
37					
38					
39					
40					
41					

Motor data					
Electrical and dimensional data refer to IE3 motor					
42	Manufacturer	Lowara			
43	Specific design	IE3 3ph Flange Motor - Premium Efficiency			
44	Type	3MGS 280 M B5 110 kW			
45	Rated power	147.51 hp	Rated current	204 A	
46	Nominal speed	1788 rpm	Rated voltage	380 V	
47	Frame size	280 M	Service factor	1	
48	Weight	lb 1,627.6	Degree of protection	IP55	

Remarks					
49					
50					
50					
52					

LNES 250-315/1100/L46UDC4

Performance curve

Company name
Contact
Phone number
e-mail address

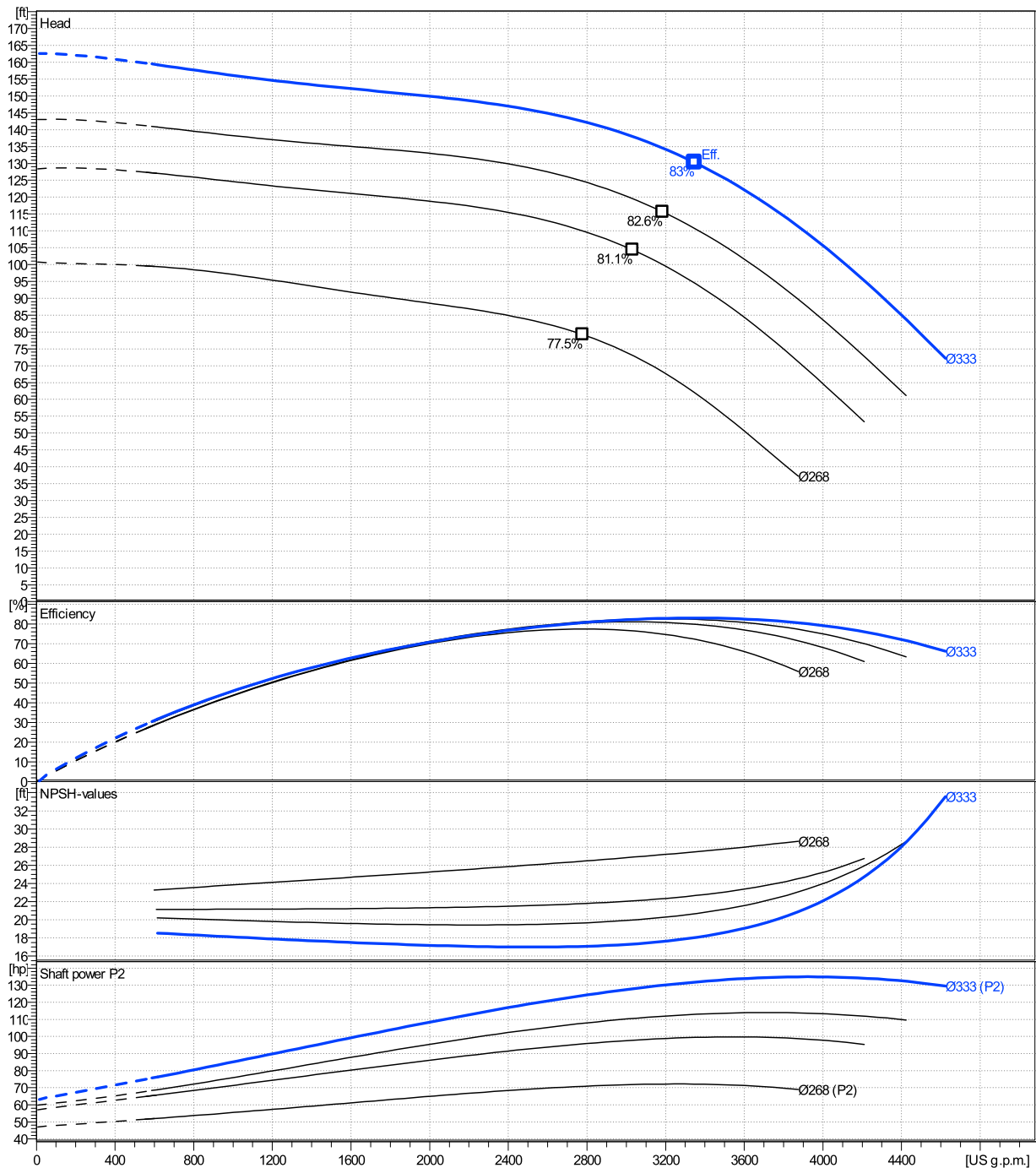
	Ø mm	Pump capacity			Pump head		Shaft power P2			Frequency		Hz	60
		Operating range Min. US g.p.m.	Max. US g.p.m.	η Max. US g.p.m.	H(Q=0) ft	η Max. ft	P2(Q=0) hp	Max. hp	η Max. hp	Operating speed rpm	Nominal flow US g.p.m.		
actual	13 1/8	616	4620	3350	163	130		135	132	Nominal head	ft	0	
Min.	0	/	/	2780	101	79.2		/	70.8	Inlet pressure	psi	0	
Max.	13 1/8	/	/	3350	163	130		/	132	Static head	ft	0	

Power datas referred to:

hydr. Performance acceptance acc. To EN ISO 9906 Class Grade 3B

Water [100%] ; 39.2°F; 62.4lb/ft³; 1.69E-5ft²/s

MEI: 0.57



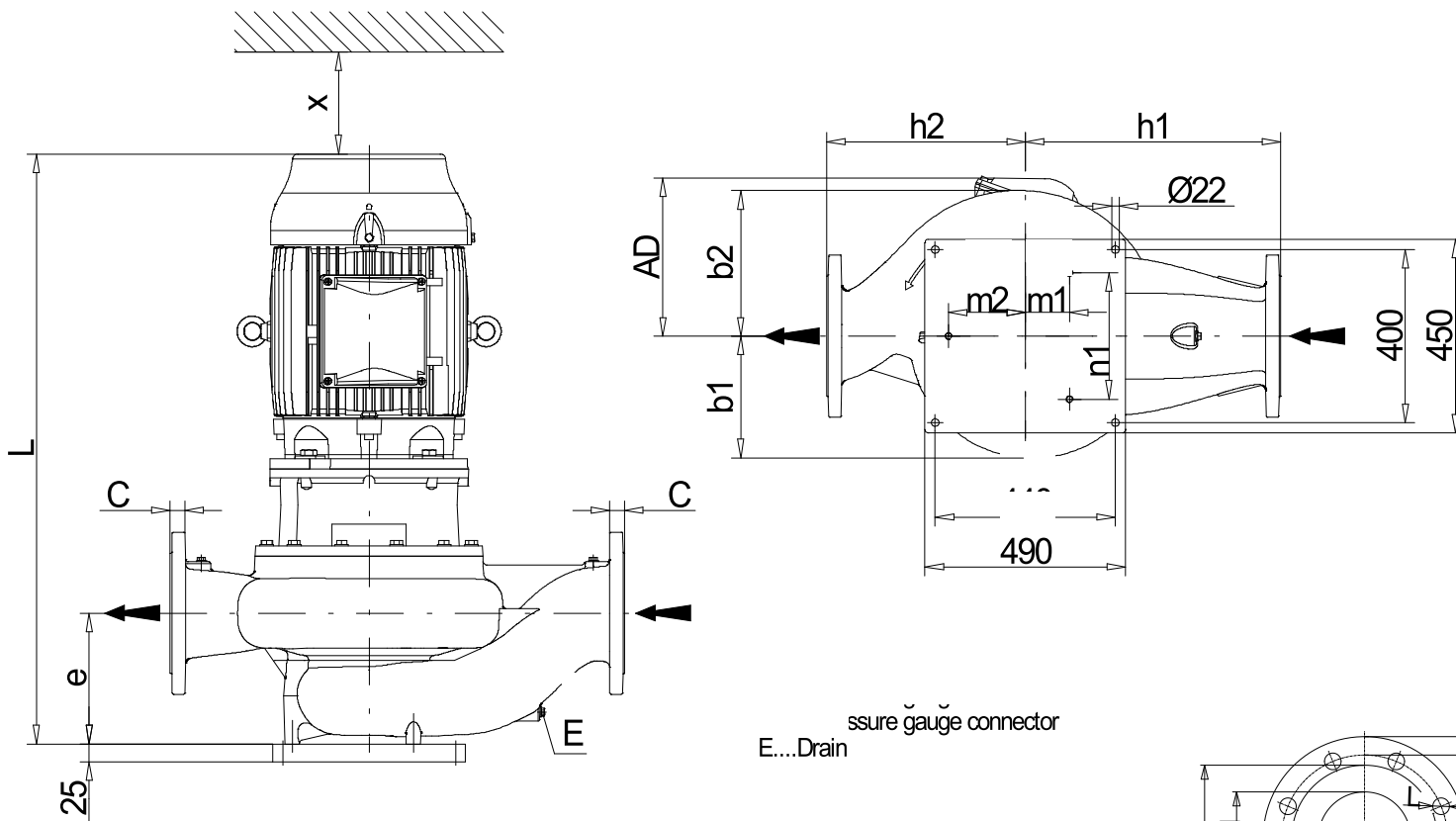
LNES 250-315/1100/L46UDC4

Dimensions

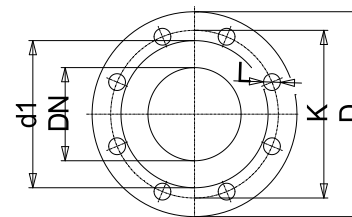
Company name
Contact
Phone number
e-mail address

Rigid coupling
with support foot
3MGS 280 M B5 110 kW

Electrical and dimensional data refer to IE3 motor



Pressure gauge connector
E....Drain



Value C, D may vary from Standard

Dimensions		[inch]	
AD	16 ¹ / ₄		
b1	11 ¹ / ₄		
b2	13 ¹³ / ₁₆		
DNd	9 ¹³ / ₁₆		
DNs	9 ¹³ / ₁₆		
E	1/2"		
e	12 ⁹ / ₈		
f	11 ³ / ₁₆		
H	37 ³ / ₈		
h1	21 ⁹ / ₈		
h2	15 ³ / ₄		
L	58 ¹ / ₁₆		
m1	3 ⁹ / ₁₆		
m2	7 ¹ / ₁₆		
n1	12 ⁵ / ₁₆		
n2	12 ⁵ / ₁₆		
PM1	1/2"		
PM2	1/2"		
Type	C		
x	5 ¹ / ₂		

Weight	
Total weight	On demand kg

Connections			
Suction nozzle		Discharge nozzle	
DN250		DN250	
PN16		PN16	
EN1092-2		EN1092-2	
C	1 ¹ / ₄	C	1 ¹ / ₄
D	15 ¹⁵ / ₁₆	D	15 ¹⁵ / ₁₆
d1	12 ⁹ / ₁₆	d1	12 ⁹ / ₁₆
K	14	K	14
L	1 ¹ / ₈	L	1 ¹ / ₈
z	1/2	z	1/2

Dimensions and weight without obligation

Project	Xylect-20070985	Created by		Last update	1/19/2025
Block	LNES 250-315/1100/L46UDC4	Created on	1/19/2025		