

LNES 250-315/370/L45VDC4

Technical data

Company name
Contact
Phone number
e-mail address

Operating data					
1	Pumpe type	Single head pump		Fluid	Water
2	No. of pumps	1		Operating temperature t A	°C 4
3	Nominal flow	m ³ /h	0	Max / Min Operating Temperature mech. Seal	°C 120 / -25
4	Nominal head	m	0	pH-value at t A	7
5	Static head	m	0	Density at t A	kg/m ³ 1000
6	Inlet pressure	kPa	0	Kin. viscosity at t A	mm ² /s 1.569
7	Environmental temperature	°C	20	Vapor pressure at t A	kPa 100
8	Available system NPSH	m	0	Altitude	0

Pump data					
9	Lubrication	42			
10	Execution	with support foot			
11	Design	In-line			
12	Operating speed	1480 rpm	Stages	1	
13	Suction nozzle	DN250 /	PN16 /	EN1092-2	
14	Discharge nozzle	DN250 /	PN16 /	EN1092-2	
15	Max. casing pressure	kPa	1600		
16	Max. working pressure	kPa	239.8		
17	Impeller type	Radial impeller			
18	Head H(Q=0)	m	24		
19	Max. shaft power	kW	36.9		
20	Pump weight	kg			
21	Total weight	kg	549.0		

	Impeller Ø	Max.	mm	
		Min.	mm	260
		Nominal	m ³ /h	
	Flow	Max-	m ³ /h	788
		Min-	m ³ /h	127
	Head	Nominal	m	
		at Qmax	m	8
		at Qmin	m	23.8
		Shaft power	kW	
		Efficiency	%	
		NPSH 3%	m	

Materials					
22		Pump		Shaft Seal	
23	Impeller	Cast iron, 0.6020		Single mechanical seal, without shaft sleeve	
24	Casing	ductile iron, 0.7040		eMG12 - Ø48mm	BQ7EGG-WA
25	casing cover	ductile iron, 0.7040		Mechanical seal diameter	48 mm
26	Wear ring	stainless steel, 1.4301 (1.4408)		1. Rotating ring	Carbon graphite resin impregnated
27	Shaft	Stainless steel, 1.4057		2. Stationary ring	SiC, silicon carbide, sintered press.less
28	O-ring	EPDM		3. Secondary seal	Ethylene propylene rubber (EPDM)
29	Bearing frame	Cast iron, 0.6025		4. Springs	CrNiMo - Steel
30				5. Others	EPDM - WRAS
31				Gaskets of the pump	Ethylene propylene rubber (EPDM)
32					
33					
34					
35					
36					
37					
38					
39					
40					
41					

Motor data					
Electrical and dimensional data refer to IE3 motor					
42	Manufacturer	Lowara			
43	Specific design	IE3 3ph Flange Motor - Premium Efficiency			
44	Type	3MAS 225 S B5 37 kW			
45	Rated power	37 kW	Rated current	66.6 A	
46	Nominal speed	1480 rpm	Rated voltage	400 V	
47	Frame size	225 S	Service factor	1	
48	Weight	kg 258.0	Degree of protection	IP55	

Remarks					
49					
50					
50					
52					

LNES 250-315/370/L45VDC4

Performance curve

Company name
Contact
Phone number
e-mail address

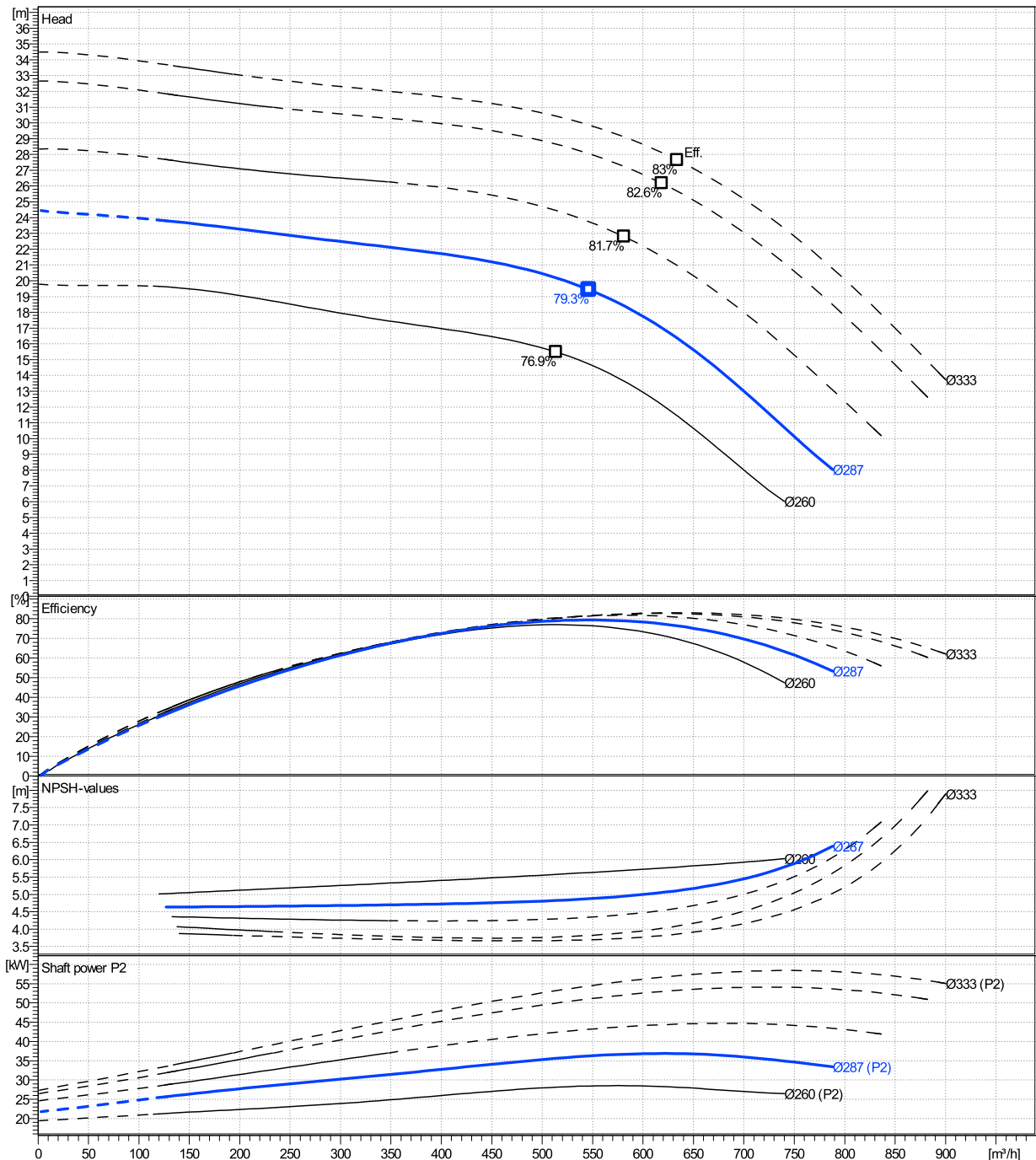
	Ø mm	Pump capacity			Pump head		Shaft power P2			Frequency		Hz	50
		Operating range Min. m³/h	Max. m³/h	η Max. m³/h	H(Q=0) m	η Max. m	P2(Q=0) kW	Max. kW	η Max. kW	Operating speed rpm	Nominal flow m³/h		
actual	287	127	788	546	24.4	19.4		36.9	36.2			1480	
Min.	0	/	/	514	19.8	15.5		/	28.1			0	
Max.	333	/	/	634	34.5	27.6		/	57.1			0	

Power datas referred to:

Water [100%]; 4°C; 1000kg/m³; 1.57mm²/s

hydr. Performance acceptance acc. To EN ISO 9906 Class Grade 3B

MEI: 0.57



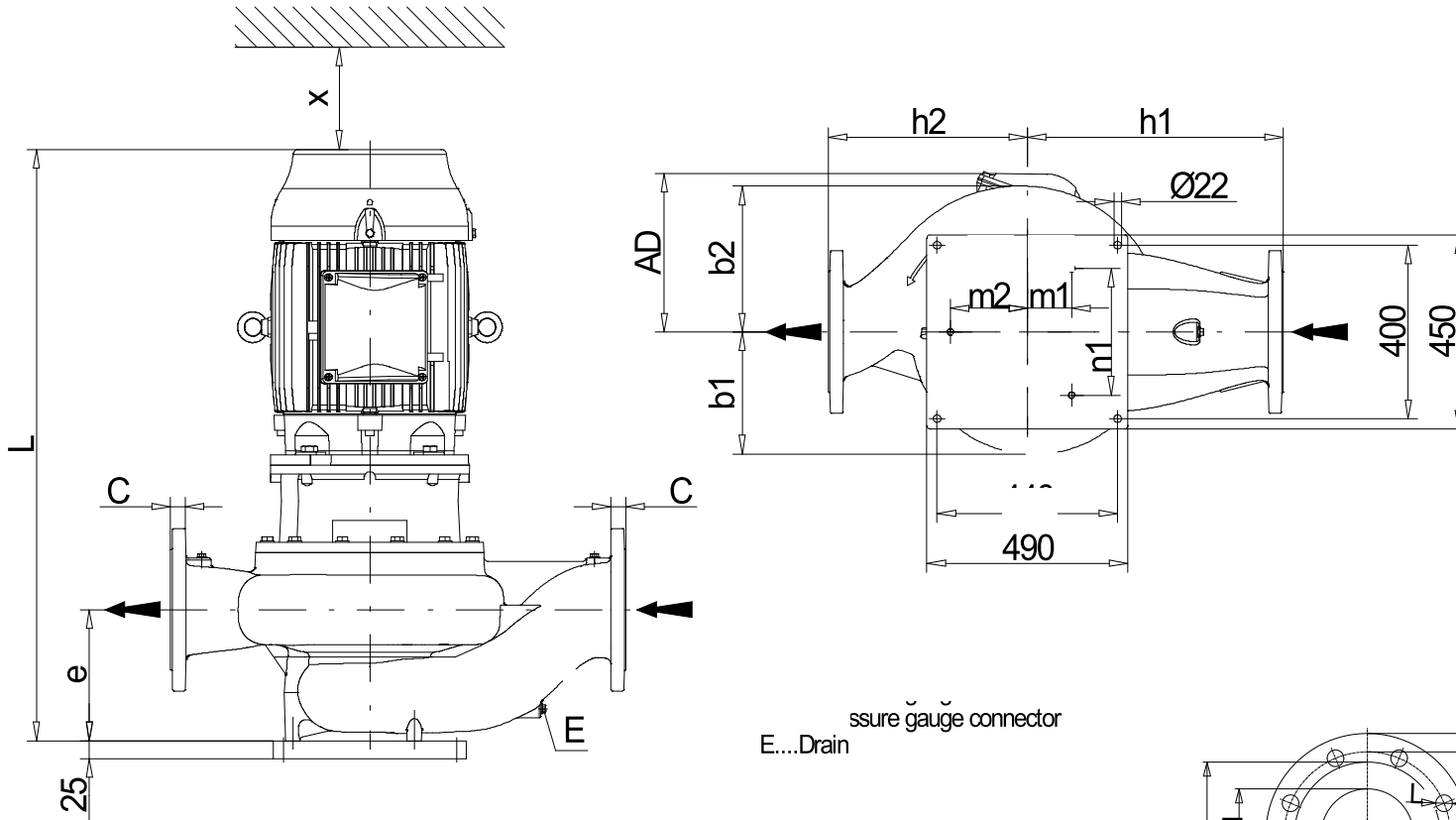
LNES 250-315/370/L45VDC4

Dimensions

Company name
Contact
Phone number
e-mail address

Rigid coupling
with support foot
3MAS 225 S B5 37 kW

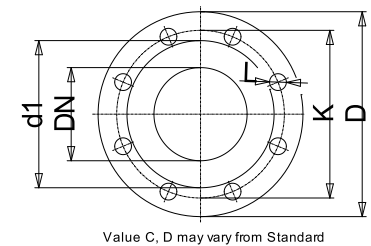
Electrical and dimensional data refer to IE3 motor



Dimensions		[mm]
AD	323	
b1	285	
b2	351	
DNd	250	
DNs	250	
E	1/2"	
e	320	
f	284	
H	950	
h1	550	
h2	400	
L	1305	
m1	90	
m2	180	
n1	312	
PM1	1/2"	
PM2	1/2"	
Type	C	
x	140	

Weight	
Total weight	549 kg

Connections			
Suction nozzle		Discharge nozzle	
DN250		DN250	
PN16		PN16	
EN1092-2		EN1092-2	
C	32	C	32
D	405	D	405
d1	319	d1	319
K	355	K	355
L	28	L	28
z	12	z	12



Pressure gauge connector
E...Drain

Dimensions and weight without obligation

Project	Xylect-20128214	Created by		Last update	12/21/2024
Block	LNES 250-315/750/L45VDC4 E4	Created on	12/21/2024		