

LNES 250-315/450/L45VDC4

Performance curve

Company name
Contact
Phone number
e-mail address

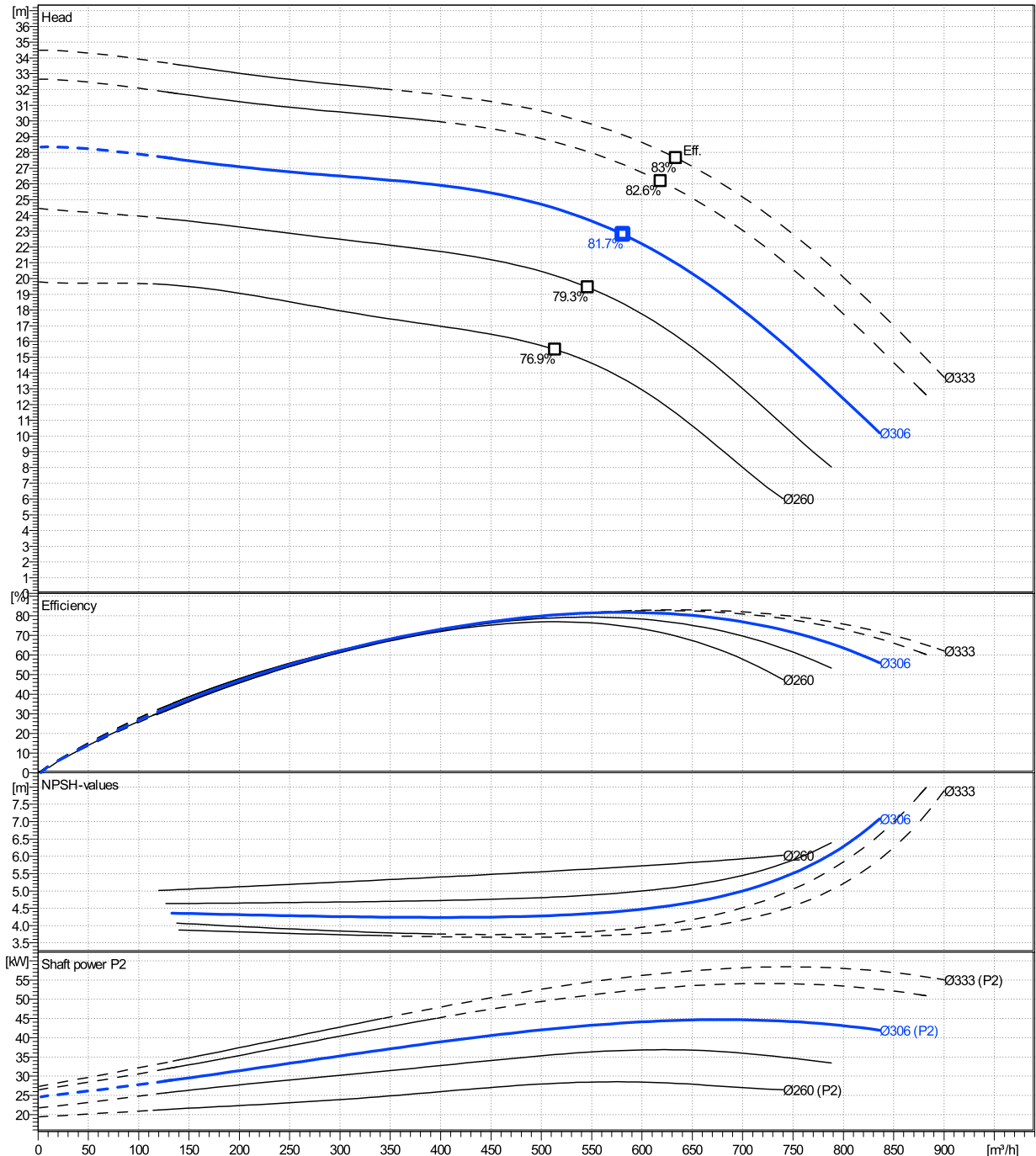
	Ø mm	Pump capacity			Pump head		Shaft power P2			Frequency		Hz	50
		Operating range Min. m³/h	Max. m³/h	η Max. m³/h	H(Q=0) m	η Max. m	P2(Q=0) kW	Max. kW	η Max. kW	Operating speed rpm	Nominal flow m³/h		
actual	306	133	836	581	28.3	22.8		44.7	43.8	Nominal head	m	0	
Min.	0	/	/	514	19.8	15.5		/	28.1	Inlet pressure	kPa	0	
Max.	333	/	/	634	34.5	27.6		/	57.1	Static head	m	0	

Power datas referred to:

Water [100%]; 4°C; 1000kg/m³; 1.57mm²/s

hydr. Performance acceptance acc. To EN ISO 9906 Class Grade 3B

MEI: 0.57



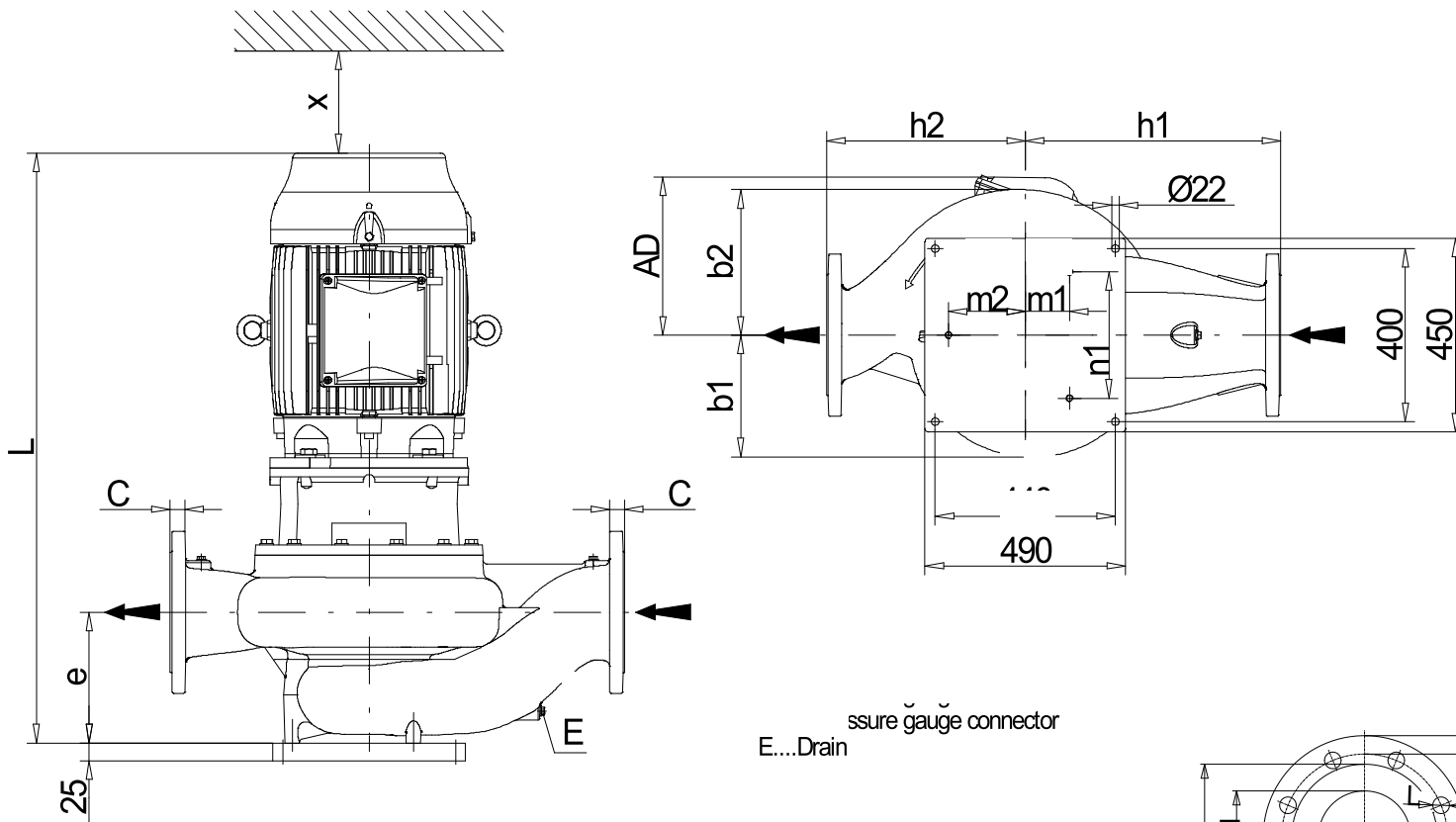
LNES 250-315/450/L45VDC4

Dimensions

Company name
Contact
Phone number
e-mail address

Rigid coupling
with support foot
3MAS 225 M B5 45 kW

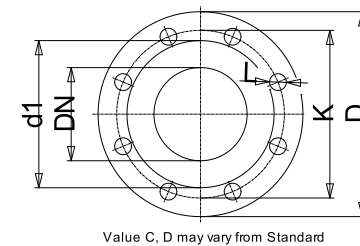
Electrical and dimensional data refer to IE3 motor



Dimensions		[mm]	
AD	323		
b1	285		
b2	351		
DNd	250		
DNs	250		
E	1/2"		
e	320		
f	284		
H	950		
h1	550		
h2	400		
L	1370.5		
m1	90		
m2	180		
n1	312		
PM1	1/2"		
PM2	1/2"		
Type	C		
x	140		

Weight	
Total weight	582.4 kg

Connections			
Suction nozzle		Discharge nozzle	
DN250		DN250	
PN16		PN16	
EN1092-2		EN1092-2	
C	32	C	32
D	405	D	405
d1	319	d1	319
K	355	K	355
L	28	L	28
z	12	z	12



Value C, D may vary from Standard

sure gauge connector
E...Drain

Dimensions and weight without obligation

Project	Xylect-20128214	Created by		Last update	12/21/2024
Block	LNES 250-315/750/L45VDC4 E4	Created on	12/21/2024		