

## LNES 40-200/11/P46PCS4

### Technical data

Company name  
Contact  
Phone number  
e-mail address

Operating data			
1	Pumpe type	Single head pump	Fluid Water
2	No. of pumps	1	Operating temperature t A °F 39.2
3	Nominal flow	US g.p.m. 0	Max / Min Operating Temperature mech. Seal °F 120 / -25
4	Nominal head	ft 0	pH-value at t A 7
5	Static head	ft 0	Density at t A lb/ft <sup>3</sup> 62.4
6	Inlet pressure	psi 0	Kin. viscosity at t A ft <sup>2</sup> /s 1.689E-5
7	Environmental temperature	°F 68	Vapor pressure at t A psi 14.5
8	Available system NPSH	ft 0	Altitude 0

Pump data			
9	Lubrication	Standard, Grease lubrication [Std]	
10	Execution		
11	Design	In-line	Impeller Ø
12	Operating speed	1750 rpm	Stages 1
13	Suction nozzle	DN 40 / PN 16 / EN1092-2	Max. inch 8 1/16
14	Discharge nozzle	DN 40 / PN 16 / EN1092-2	designed inch 7 5/16
15	Max. casing pressure	psi	Min. inch 7 5/16
16	Max. working pressure	psi 23.1	Nominal US g.p.m.
17	Impeller type	Radial impeller	Flow
18	Head H(Q=0)	ft 53	Max- US g.p.m. 74.8
19	Max. shaft power	hp 1.5	Min- US g.p.m. 22
20	Pump weight	kg	Head
21	Total weight	lb 130.1	Nominal ft
			at Qmax ft 42
			at Qmin ft 52.1
			Shaft power hp
			Efficiency %
			NPSH 3% ft

Materials			
22		Pump	Shaft Seal
23	Volute Casing	Cast iron	Single mechanical seal, without shaft sleeve
24	Casing Cover	Cast iron	eMG12 - Ø22mm BQ7EGG-WA
25	Impeller	Stainless steel / AISI 304	Mechanical seal diameter 7/8 inch
26	Stub shaft	Stainless steel / AISI 316L	1. Rotating ring Carbon graphite resin impregnated
27	Wear ring	Stainless steel / AISI 304	2. Stationary ring SiC, silicon carbide, sintered press.less
28	Impeller lock nut and washer	Stainless steel / AISI 304	3. Secondary seal Ethylene propylene rubber (EPDM)
29	Impeller key	Stainless steel / AISI 316L	4. Springs CrNiMo - Steel
30	Fill and drain plugs	Nickel-plated brass	5. Others EPDM - WRAS
31			Gaskets of the pump Ethylene propylene rubber (EPDM)
32			
33			
34			
35			
36			
37			
38			
39			
40			
41			

Motor data			
Electrical and dimensional data refer to IE3 motor			
42	Manufacturer	Lowara	
43	Specific design	IE3 3ph Flange Motor - Premium Efficiency	
44	Type	PLM 90 B5 1,1 kW	
45	Rated power	1.4751 hp	Rated current 4.61 A
46	Nominal speed	1740 rpm	Rated voltage 220 V
47	Frame size	90	Service factor 1
48	Weight	lb 42.8	Degree of protection IP55

Remarks			
49			
50			
50			
52			

Project	Xylect-20070985	Created by		Last update	1/19/2025
Block	LNES 40-200/110/P26PCS4	Created on	1/19/2025		

# LNES 40-200/11/P46PCS4

## Performance curve

Company name  
Contact  
Phone number  
e-mail address

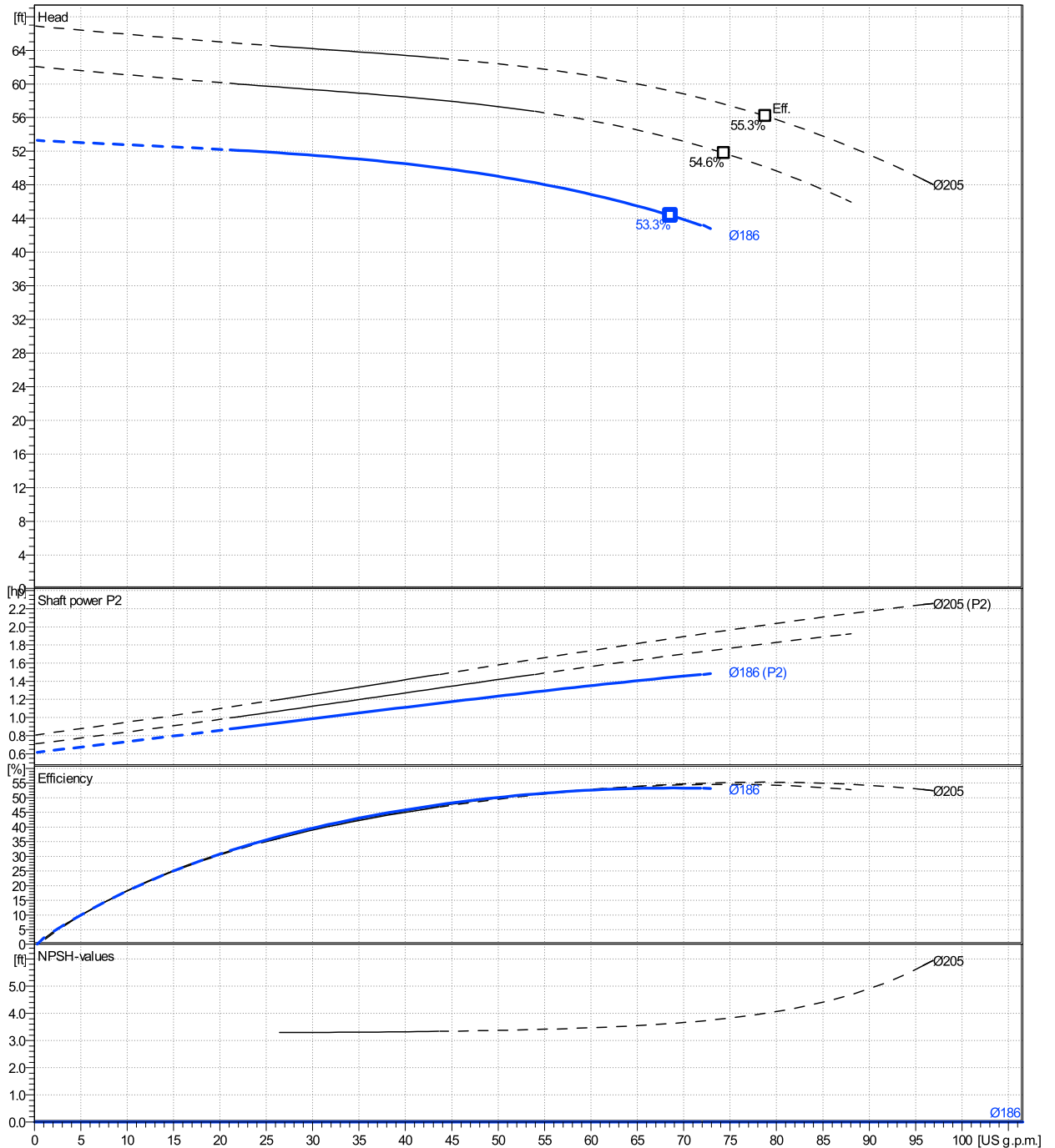
	Ø mm	Pump capacity Operating range η			Pump head H(Q=0) η		Shaft power P2 P2(Q=0) η			Frequency	Hz	60
		Min. US g.p.m.	Max. US g.p.m.	Max. US g.p.m.	H(Q=0) ft	Max. ft	P2(Q=0) hp	Max. hp	η Max. hp	Operating speed	rpm	1750
actual	7 5/16	22	71.8	68.6	53.3	44.3	1.5	1.44	Nominal flow	US g.p.m.	0	
Min.	0	/	/	68.6	53.3	44.3	/	1.44	Nominal head	ft	0	
Max.	8 1/16	/	/	78.8	66.9	56.2	/	2.02	Inlet pressure	psi	0	
									Static head	ft	0	

Power datas referred to:

hydr. Performance acceptance acc. To EN ISO 9906 Class Grade 3B

Water [100%] ; 39.2°F; 62.4lb/ft³; 1.69E-5ft²/s

MEI: N.A - according to Ecodesign Directive 2009/125/EC and Regulation (EU) No.547/2012



# LNES 40-200/11/P46PCS4

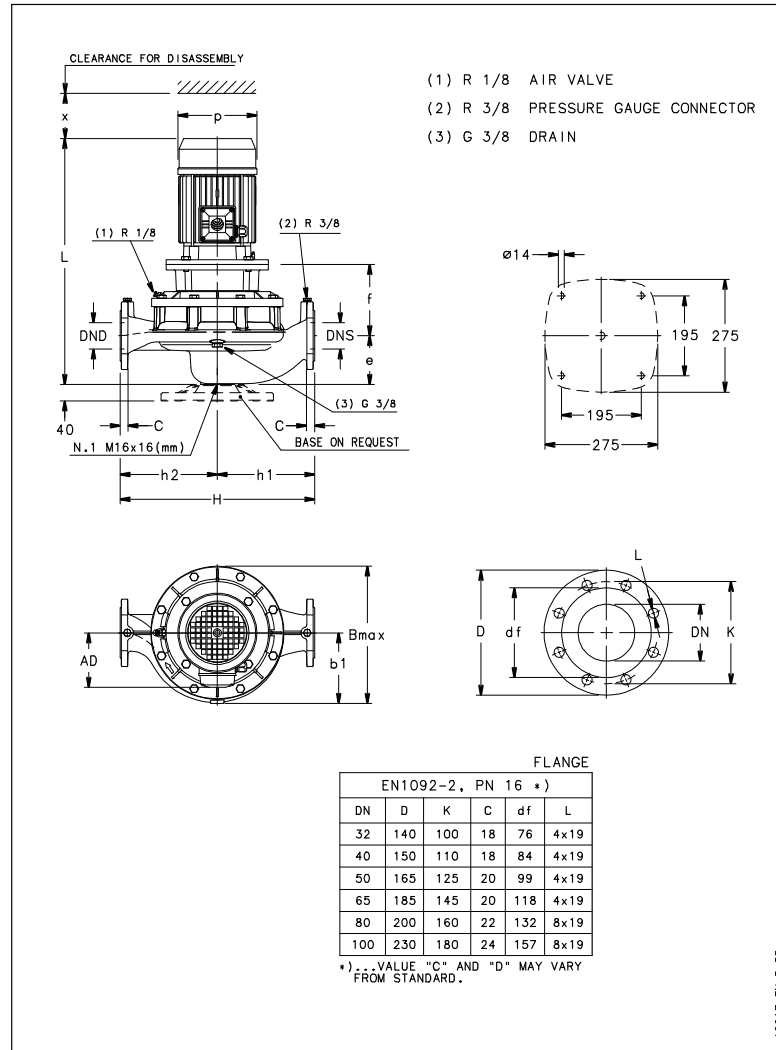
## Dimensions

Company name  
Contact  
Phone number  
e-mail address

Rigid coupling

PLM 90 B5 1,1 kW

Electrical and dimensional data refer to IE3 motor



### Dimensions [ inch ]

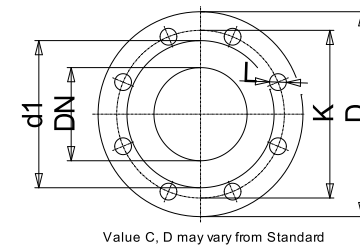
AD	9 <sup>7</sup> / <sub>16</sub>		
b1	6 <sup>5</sup> / <sub>8</sub>		
Bmax	13 <sup>1</sup> / <sub>4</sub>		
DNd	1 <sup>9</sup> / <sub>16</sub>		
DNS	1 <sup>9</sup> / <sub>16</sub>		
e	4 <sup>5</sup> / <sub>16</sub>		
f	6 <sup>1</sup> / <sub>8</sub>		
H	17 <sup>5</sup> / <sub>16</sub>		
h1	8 <sup>11</sup> / <sub>16</sub>		
h2	8 <sup>11</sup> / <sub>16</sub>		
L	22 <sup>3</sup> / <sub>16</sub>		
p	6 <sup>7</sup> / <sub>8</sub>		
x	4 <sup>1</sup> / <sub>8</sub>		

### Weight

Total weight	59 kg
--------------	-------

### Connections

Suction nozzle		Discharge nozzle	
DN 40		DN 40	
PN 16		PN 16	
EN1092-2		EN1092-2	
C	1 <sup>1</sup> / <sub>16</sub>	C	1 <sup>1</sup> / <sub>16</sub>
D	5 <sup>7</sup> / <sub>8</sub>	D	5 <sup>7</sup> / <sub>8</sub>
df	3 <sup>5</sup> / <sub>16</sub>	df	3 <sup>5</sup> / <sub>16</sub>
DN	1 <sup>9</sup> / <sub>16</sub>	DN	1 <sup>9</sup> / <sub>16</sub>
K	4 <sup>5</sup> / <sub>16</sub>	K	4 <sup>5</sup> / <sub>16</sub>
L	4 x 19	L	4 x 19



### Dimensions and weight without obligation

Project	Xylect-20070985
Block	LNES 40-200/110/P26PCS4

Created by  
Created on 1/19/2025

Last update 1/19/2025