

LNES 40-250/185/P26PCS4

Technical data

Company name
Contact
Phone number
e-mail address

| Operating data | | | |
|----------------|---------------------------|------------------|---|
| 1 | Pumpe type | Single head pump | Fluid Water |
| 2 | No. of pumps | 1 | Operating temperature t A °F 39.2 |
| 3 | Nominal flow | US g.p.m. 0 | Max / Min Operating Temperature mech. Seal °F 120 / -25 |
| 4 | Nominal head | ft 0 | pH-value at t A 7 |
| 5 | Static head | ft 0 | Density at t A lb/ft³ 62.4 |
| 6 | Inlet pressure | psi 0 | Kin. viscosity at t A ft²/s 1.689E-5 |
| 7 | Environmental temperature | °F 68 | Vapor pressure at t A psi 14.5 |
| 8 | Available system NPSH | ft 0 | Altitude 0 |

| Pump data | | | |
|-----------|-----------------------|------------------------------------|----------------------|
| 9 | Lubrication | Standard, Grease lubrication [Std] | |
| 10 | Execution | | |
| 11 | Design | In-line | Impeller Ø |
| 12 | Operating speed | 3500 rpm | Stages 1 |
| 13 | Suction nozzle | DN 40 / PN 16 / EN1092-2 | Max. inch 9 7/16 |
| 14 | Discharge nozzle | DN 40 / PN 16 / EN1092-2 | designed inch 8 7/8 |
| 15 | Max. casing pressure | psi | Min. inch 8 3/16 |
| 16 | Max. working pressure | psi 138.5 | Nominal US g.p.m. |
| 17 | Impeller type | Radial impeller | Flow |
| 18 | Head H(Q=0) | ft 320 | Max- US g.p.m. 233.4 |
| 19 | Max. shaft power | hp 24.7 | Min- US g.p.m. 66 |
| 20 | Pump weight | kg | Head |
| 21 | Total weight | lb 351.0 | Nominal ft |
| | | | at Qmax ft 186.1 |
| | | | at Qmin ft 313.1 |
| | | | Shaft power hp |
| | | | Efficiency % |
| | | | NPSH 3% ft |

| Materials | | | |
|-----------|------------------------------|-----------------------------|--|
| 22 | | Pump | Shaft Seal |
| 23 | Volute Casing | Cast iron | Single mechanical seal, without shaft sleeve |
| 24 | Casing Cover | Cast iron | eMG12 - Ø28mm BQ7EGG-WA |
| 25 | Impeller | Stainless steel / AISI 304 | Mechanical seal diameter 1 1/8 inch |
| 26 | Stub shaft | Stainless steel / AISI 316L | 1. Rotating ring Carbon graphite resin impregnated |
| 27 | Wear ring | Stainless steel / AISI 304 | 2. Stationary ring SiC, silicon carbide, sintered press.less |
| 28 | Impeller lock nut and washer | Stainless steel / AISI 304 | 3. Secondary seal Ethylene propylene rubber (EPDM) |
| 29 | Impeller key | Stainless steel / AISI 316L | 4. Springs CrNiMo - Steel |
| 30 | Fill and drain plugs | Nickel-plated brass | 5. Others EPDM - WRAS |
| 31 | | | Gaskets of the pump Ethylene propylene rubber (EPDM) |
| 32 | | | |
| 33 | | | |
| 34 | | | |
| 35 | | | |
| 36 | | | |
| 37 | | | |
| 38 | | | |
| 39 | | | |
| 40 | | | |
| 41 | | | |

| Motor data | | | |
|--|-----------------|---|---------------------------|
| Electrical and dimensional data refer to IE3 motor | | | |
| 42 | Manufacturer | Lowara | |
| 43 | Specific design | IE3 3ph Flange Motor - Premium Efficiency | |
| 44 | Type | PLM 160 B5 18,5 kW | |
| 45 | Rated power | 24.809 hp | Rated current 58.3 A |
| 46 | Nominal speed | 3540 rpm | Rated voltage 220 V |
| 47 | Frame size | 160 | Service factor 1 |
| 48 | Weight | lb 242.5 | Degree of protection IP55 |

| Remarks | | | |
|---------|--|--|--|
| 49 | | | |
| 50 | | | |
| 50 | | | |
| 52 | | | |

LNES 40-250/185/P26PCS4

Performance curve

Company name
Contact
Phone number
e-mail address

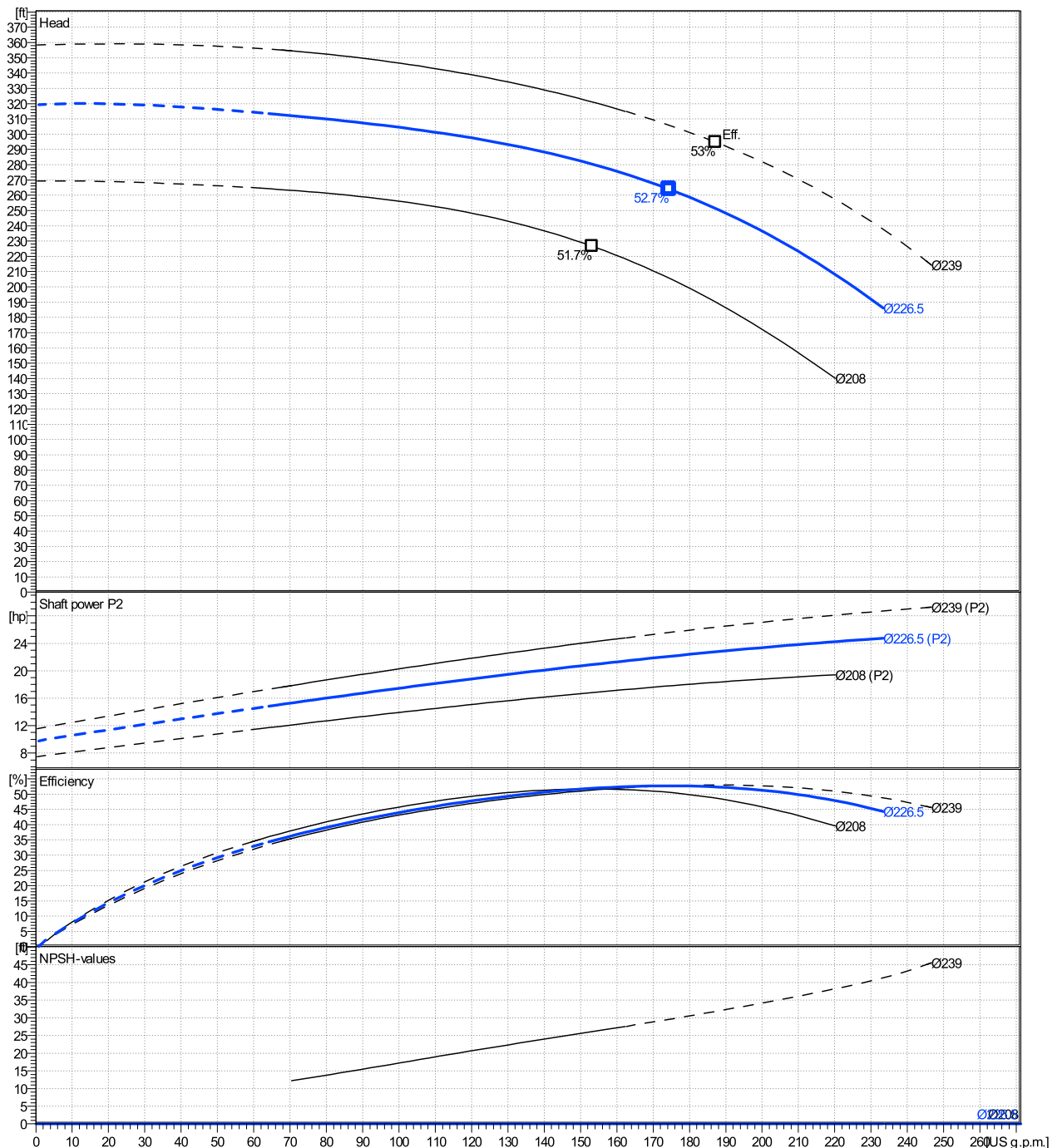
| | Ø mm | Pump capacity Operating range η | | | Pump head η | | Shaft power P2 η | | | Frequency | Hz | |
|--------|---------|---------------------------------------|-------------------|-------------------|----------------|------------|---------------------|------------|----------------|-----------------|-----|--|
| | | Min. US g.p.m. | Max. US g.p.m. | Max. US g.p.m. | H(Q=0) ft | Max. ft | P2(Q=0) hp | Max. hp | Max. hp | Operating speed | rpm | |
| actual | 8 7/8 | 66 | 233 | 174 | 319 | 264 | 24.7 | 22.1 | Nominal flow | US g.p.m. | 0 | |
| Min. | 0 | / | / | 153 | 269 | 227 | / | 16.8 | Nominal head | ft | 0 | |
| Max. | 9 7/16 | / | / | 187 | 358 | 295 | / | 26.3 | Inlet pressure | psi | 0 | |
| | | | | | | | | | Static head | ft | 0 | |

Power datas referred to:

hydr. Performance acceptance acc. To EN ISO 9906 Class Grade 3B

Water [100%] ; 39.2°F; 62.4lb/ft³; 1.69E-5ft²/s

MEI: N.A - according to Ecodesign Directive 2009/125/EC and Regulation (EU) No.547/2012



LNES 40-250/185/P26PCS4

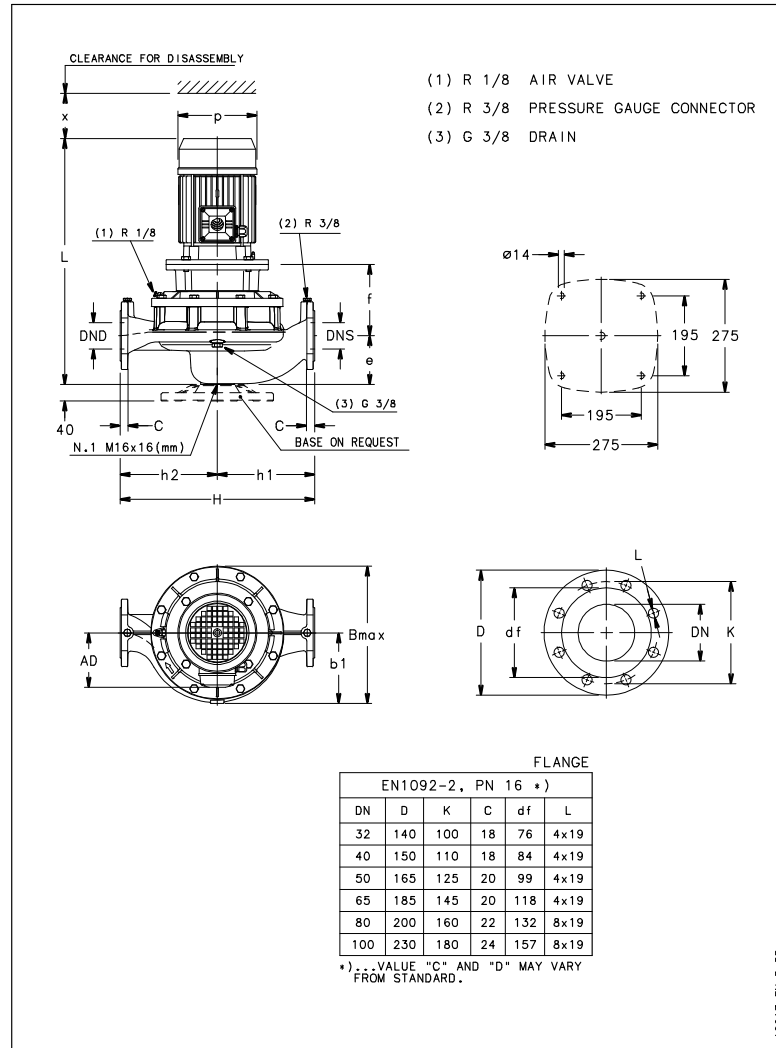
Dimensions

Company name
Contact
Phone number
e-mail address

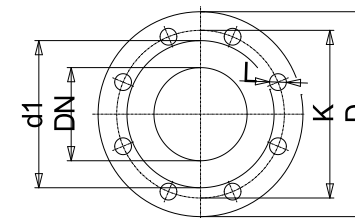
Rigid coupling

PLM 160 B5 18,5 kW

Electrical and dimensional data refer to IE3 motor



A0017-EN_LB_DD



Value C, D may vary from Standard

Dimensions [inch]

| | |
|------|---------------------------------|
| AD | 9 ⁷ / ₁₆ |
| b1 | 6 ⁵ / ₈ |
| Bmax | 13 ¹ / ₄ |
| DNd | 1 ⁹ / ₁₆ |
| DNS | 1 ⁹ / ₁₆ |
| e | 4 ⁵ / ₁₆ |
| f | 8 ³ / ₄ |
| H | 17 ⁵ / ₁₆ |
| h1 | 8 ¹¹ / ₁₆ |
| h2 | 8 ¹ / ₁₆ |
| L | 32 ¹ / ₂ |
| p | 12 ⁵ / ₁₆ |
| x | 4 ¹ / ₈ |

Weight

| | |
|--------------|----------|
| Total weight | 159.2 kg |
|--------------|----------|

Connections

| Suction nozzle | | Discharge nozzle | |
|----------------|--------------------------------|------------------|--------------------------------|
| DN 40 | | DN 40 | |
| PN 16 | | PN 16 | |
| EN1092-2 | | EN1092-2 | |
| C | 1 ¹ / ₁₆ | C | 1 ¹ / ₁₆ |
| D | 5 ⁷ / ₈ | D | 5 ⁷ / ₈ |
| df | 3 ⁵ / ₁₆ | df | 3 ⁵ / ₁₆ |
| DN | 1 ⁹ / ₁₆ | DN | 1 ⁹ / ₁₆ |
| K | 4 ⁵ / ₁₆ | K | 4 ⁵ / ₁₆ |
| L | 4 x 19 | L | 4 x 19 |

Dimensions and weight without obligation

| | |
|---------|-------------------------|
| Project | Xylect-20070985 |
| Block | LNES 40-250/220/P26PCS4 |

Created by
Created on 1/19/2025

Last update 1/19/2025