

# LNES 50-125/05/X46RCS4

## Technical data

Company name  
Contact  
Phone number  
e-mail address

Operating data					
1	Pumpe type	Single head pump	Fluid	Water	
2	No. of pumps	1	Operating temperature at t A	°F	39.2
3	Nominal flow	US g.p.m. 0	Max / Min Operating Temperature mech. Seal	°F	120 / -25
4	Nominal head	ft 0	pH-value at t A		7
5	Static head	ft 0	Density at t A	lb/ft <sup>3</sup>	62.4
6	Inlet pressure	psi 0	Kin. viscosity at t A	ft <sup>2</sup> /s	1.689E-5
7	Environmental temperature	°F 68	Vapor pressure at t A	psi	14.5
8	Available system NPSH	ft 0	Altitude		0

Pump data						
9	Lubrication	Standard, Grease lubrication [Std]				
10	Execution					
11	Design	In-line	Impeller Ø	Max.	inch 5 5/16	
12	Operating speed	1750 rpm		designed	inch 4 5/8	
		Stages 1		Min.	inch 4 5/8	
13	Suction nozzle	DN 50 / PN 16 / EN1092-2	Flow	Nominal US g.p.m.		
14	Discharge nozzle	DN 50 / PN 16 / EN1092-2		Max-	US g.p.m.	114.5
15	Max. casing pressure	psi		Min-	US g.p.m.	30.8
16	Max. working pressure	psi 9.6	Head	Nominal	ft	
17	Impeller type	Radial impeller		at Qmax	ft	11.1
18	Head H(Q=0)	ft 22		at Qmin	ft	21.3
19	Max. shaft power	hp .6	Shaft power	hp		
20	Pump weight	kg	Efficiency	%		
21	Total weight	lb 79.4	NPSH 3%	ft		

Materials					
22		<b>Pump</b>	<b>Shaft Seal</b>		
23	Volute Casing	Cast iron	Single mechanical seal, without shaft sleeve		
24	Casing Cover	Cast iron	eMG12 - Ø22mm	BQ7EGG-WA	
25	Impeller	Stainless steel / AISI 304	Mechanical seal diameter	7/8 inch	
26	Stub shaft	Stainless steel / AISI 316L	1. Rotating ring	Carbon graphite resin impregnated	
27	Wear ring	Stainless steel / AISI 304	2. Stationary ring	SiC, silicon carbide, sintered press.less	
28	Impeller lock nut and washer	Stainless steel / AISI 304	3. Secondary seal	Ethylene propylene rubber (EPDM)	
29	Impeller key	Stainless steel / AISI 316L	4. Springs	CrNiMo - Steel	
30	Fill and drain plugs	Nickel-plated brass	5. Others	EPDM - WRAS	
31			Gaskets of the pump	Ethylene propylene rubber (EPDM)	
32					
33					
34					
35					
36					
37					
38					
39					
40					
41					

Motor data					
42	Manufacturer	Xylem			
43	Specific design	IE2 3ph Flange Motor - Premium Efficiency			
44	Type	LLM480B5/305			
45	Rated power	0.73756 hp	Rated current	2.35 A	
46	Nominal speed	1740 rpm	Rated voltage	265 V	
47	Frame size	80	Service factor	1	
48	Weight	lb 18.1	Degree of protection	IP55	

Remarks					
49					
50					
50					
52					

# LNES 50-125/05/X46RCS4

## Performance curve

Company name  
Contact  
Phone number  
e-mail address

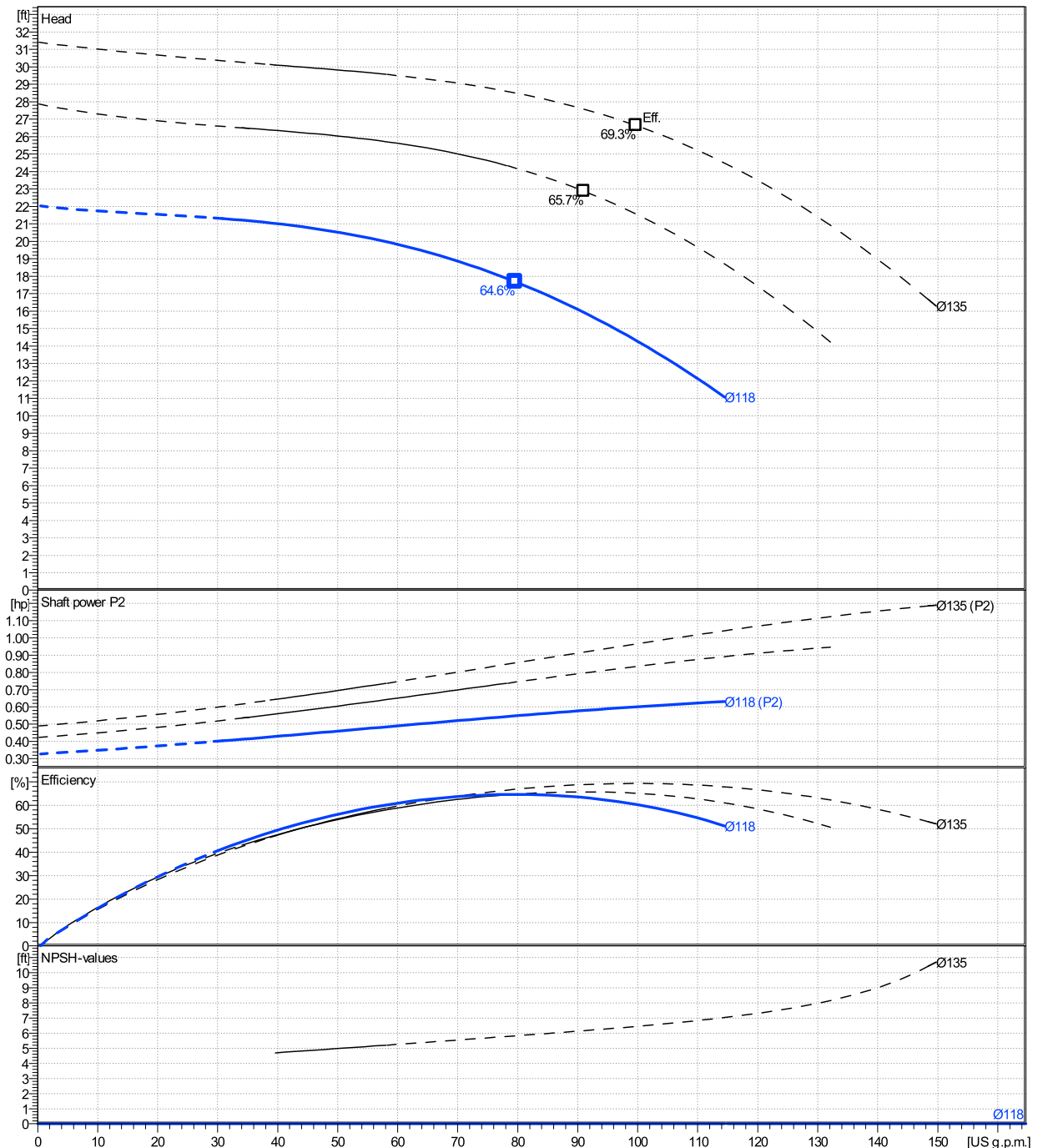
	Ø mm	Pump capacity			Pump head		Shaft power P2			Frequency	Hz	60
		Operating range Min. US g.p.m.	Max. US g.p.m.	η Max. US g.p.m.	H(Q=0) ft	η Max. ft	P2(Q=0) hp	Max. hp	η Max. hp	Operating speed	rpm	1750
actual	4 5/8	30.8	114	79.6	22	17.7	0.631	0.548	Nominal flow	US g.p.m.	0	
Min.	0	/	/	79.6	22	17.7	/	0.548	Nominal head	ft	0	
Max.	5 5/16	/	/	99.7	31.4	26.6	/	0.965	Inlet pressure	psi	0	
									Static head	ft	0	

Power datas referred to:

hydr. Performance acceptance acc. To EN ISO 9906 Class Grade 3B

Water [100%] ; 39.2°F ; 62.4lb/ft³ ; 1.69E-5ft²/s

MEI: N.A - according to Ecodesign Directive 2009/125/EC and Regulation (EU) No.547/2012

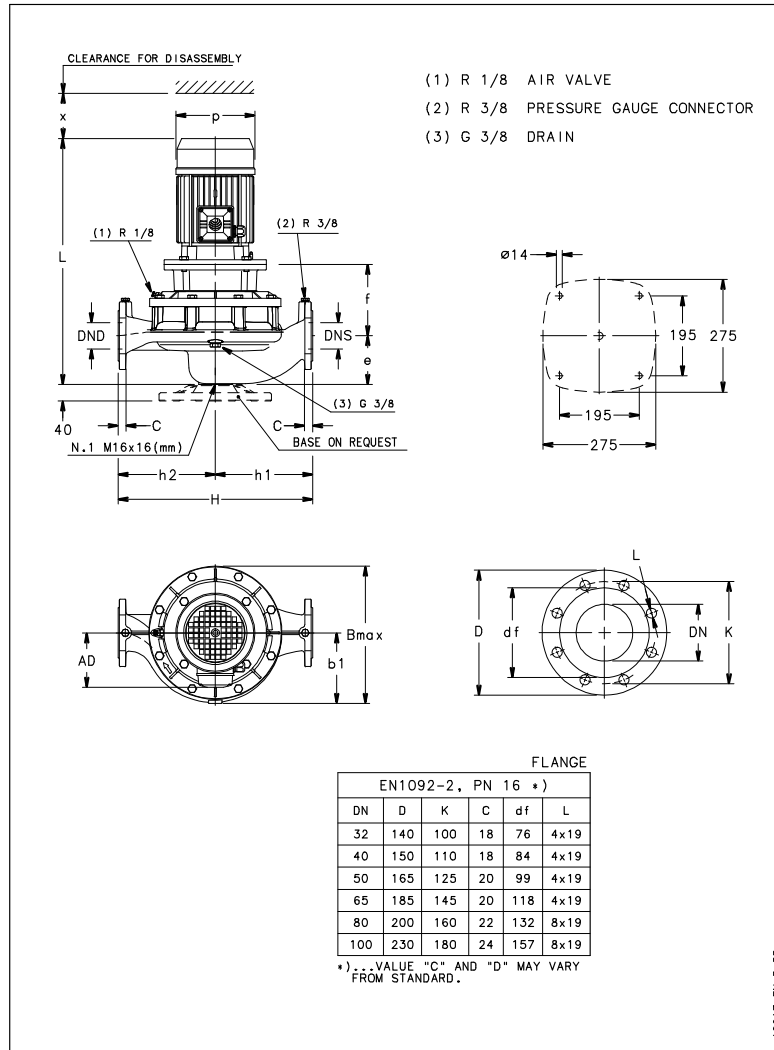


**LNES 50-125/05/X46RCS4**

**Dimensions**

Company name  
Contact  
Phone number  
e-mail address

Rigid coupling  
LLM480B5/305



**Dimensions [ inch ]**

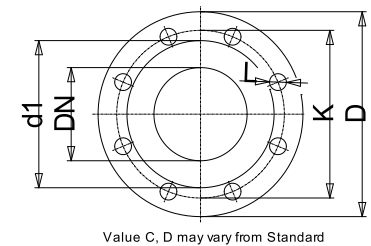
AD	5 <sup>1</sup> / <sub>16</sub>		
b1	5 <sup>1</sup> / <sub>16</sub>		
Bmax	9 <sup>3</sup> / <sub>4</sub>		
DNd	1 <sup>15</sup> / <sub>16</sub>		
DNS	1 <sup>15</sup> / <sub>16</sub>		
e	4 <sup>9</sup> / <sub>16</sub>		
f	6 <sup>1</sup> / <sub>8</sub>		
H	13 <sup>3</sup> / <sub>8</sub>		
h1	7 <sup>1</sup> / <sub>16</sub>		
h2	6 <sup>5</sup> / <sub>16</sub>		
L	19 <sup>3</sup> / <sub>4</sub>		
p	6 <sup>1</sup> / <sub>4</sub>		
x	3 <sup>3</sup> / <sub>4</sub>		

**Weight**

<b>Total weight</b>	<b>36 kg</b>
---------------------	--------------

**Connections**

Suction nozzle		Discharge nozzle	
<b>DN 50</b>		<b>DN 50</b>	
<b>PN 16</b>		<b>PN 16</b>	
<b>EN1092-2</b>		<b>EN1092-2</b>	
C	1 <sup>3</sup> / <sub>16</sub>	C	1 <sup>3</sup> / <sub>16</sub>
D	6 <sup>1</sup> / <sub>2</sub>	D	6 <sup>1</sup> / <sub>2</sub>
df	3 <sup>7</sup> / <sub>8</sub>	df	3 <sup>7</sup> / <sub>8</sub>
DN	1 <sup>15</sup> / <sub>16</sub>	DN	1 <sup>15</sup> / <sub>16</sub>
K	4 <sup>15</sup> / <sub>16</sub>	K	4 <sup>15</sup> / <sub>16</sub>
L	4 x 19	L	4 x 19



**Dimensions and weight without obligation**

<b>Project</b>	Xylect-20070985	<b>Created by</b>		<b>Last update</b>	1/19/2025
<b>Block</b>	LNES 50-125/75/P26PCS4	<b>Created on</b>	1/19/2025		