

LNES 50-200/185/P26PCS4

Technical data

Company name
Contact
Phone number
e-mail address

Operating data					
1	Pumpe type	Single head pump		Fluid	Water
2	No. of pumps	1		Operating temperature t A	°F 39.2
3	Nominal flow	US g.p.m.	0	Max / Min Operating Temperature mech. Seal	°F 120 / -25
4	Nominal head	ft	0	pH-value at t A	7
5	Static head	ft	0	Density at t A	lb/ft ³ 62.4
6	Inlet pressure	psi	0	Kin. viscosity at t A	ft ² /s 1.689E-5
7	Environmental temperature	°F	68	Vapor pressure at t A	psi 14.5
8	Available system NPSH	ft	0	Altitude	0

Pump data					
9	Lubrication	Standard, Grease lubrication [Std]			
10	Execution				
11	Design	In-line		Impeller Ø	Max. inch 7 13/16
12	Operating speed	3500 rpm	Stages 1		designed inch 7 13/16
13	Suction nozzle	DN 50 /	PN 16 /	EN1092-2	Min. inch 6 1/2
14	Discharge nozzle	DN 50 /	PN 16 /	EN1092-2	Flow
15	Max. casing pressure	psi			Nominal US g.p.m.
16	Max. working pressure	psi	111.9		Max- US g.p.m. 286.2
17	Impeller type	Radial impeller		Head	Min- US g.p.m. 88.1
18	Head H(Q=0)	ft	260		Nominal ft
19	Max. shaft power	hp	23.6		at Qmax ft 198.5
20	Pump weight	kg		at Qmin ft 262	Shaft power hp
21	Total weight	lb	357.6		Efficiency %
					NPSH 3% ft

Materials					
22		Pump		Shaft Seal	
23	Volute Casing	Cast iron		Single mechanical seal, without shaft sleeve	
24	Casing Cover	Cast iron		eMG12 - Ø22mm	BQ7EGG-WA
25	Impeller	Stainless steel / AISI 304		Mechanical seal diameter	7/8 inch
26	Stub shaft	Stainless steel / AISI 316L		1. Rotating ring	Carbon graphite resin impregnated
27	Wear ring	Stainless steel / AISI 304		2. Stationary ring	SiC, silicon carbide, sintered press. less
28	Impeller lock nut and washer	Stainless steel / AISI 304		3. Secondary seal	Ethylene propylene rubber (EPDM)
29	Impeller key	Stainless steel / AISI 316L		4. Springs	CrNiMo - Steel
30	Fill and drain plugs	Nickel-plated brass		5. Others	EPDM - WRAS
31				Gaskets of the pump	Ethylene propylene rubber (EPDM)
32					
33					
34					
35					
36					
37					
38					
39					
40					
41					

Motor data					
Electrical and dimensional data refer to IE3 motor					
42	Manufacturer	Lowara			
43	Specific design	IE3 3ph Flange Motor - Premium Efficiency			
44	Type	PLM 160 B5 18,5 kW			
45	Rated power	24.809 hp	Rated current	58.3 A	
46	Nominal speed	3540 rpm	Rated voltage	220 V	
47	Frame size	160	Service factor	1	
48	Weight	lb 242.5	Degree of protection	IP55	

Remarks					
49					
50					
50					
52					

LNES 50-200/185/P26PCS4

Performance curve

Company name
Contact
Phone number
e-mail address

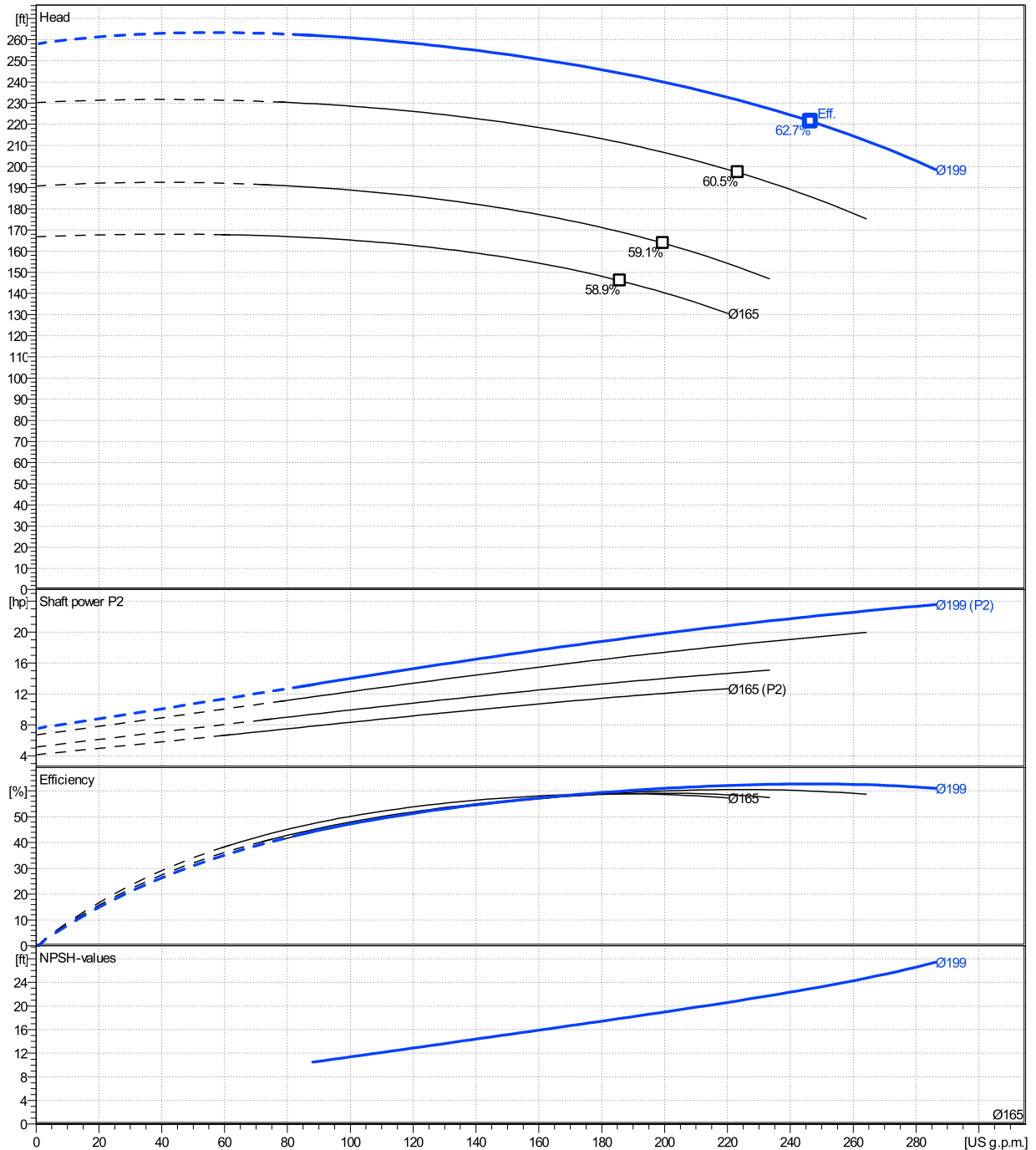
	Ø mm	Pump capacity			Pump head		Shaft power P2			Frequency	Hz
		Operating range Min. US g.p.m.	Max. US g.p.m.	η Max. US g.p.m.	H(Q=0) ft	η Max. ft	P2(Q=0) hp	Max. hp	η Max. hp	Operating speed rpm	3500
actual	7 13/16	88.1	286	246	258	221					60
Min.	0	/	/	186	167	146		/	11.6		0
Max.	7 13/16	/	/	246	258	221		/	22		0

Power datas referred to:

hydr. Performance acceptance acc. To EN ISO 9906 Class Grade 3B

Water [100%] ; 39.2°F; 62.4lb/ft³; 1.69E-5ft²/s

MEI: N.A. - according to Ecodesign Directive 2009/125/EC and Regulation (EU) No.547/2012



LNES 50-200/185/P26PCS4

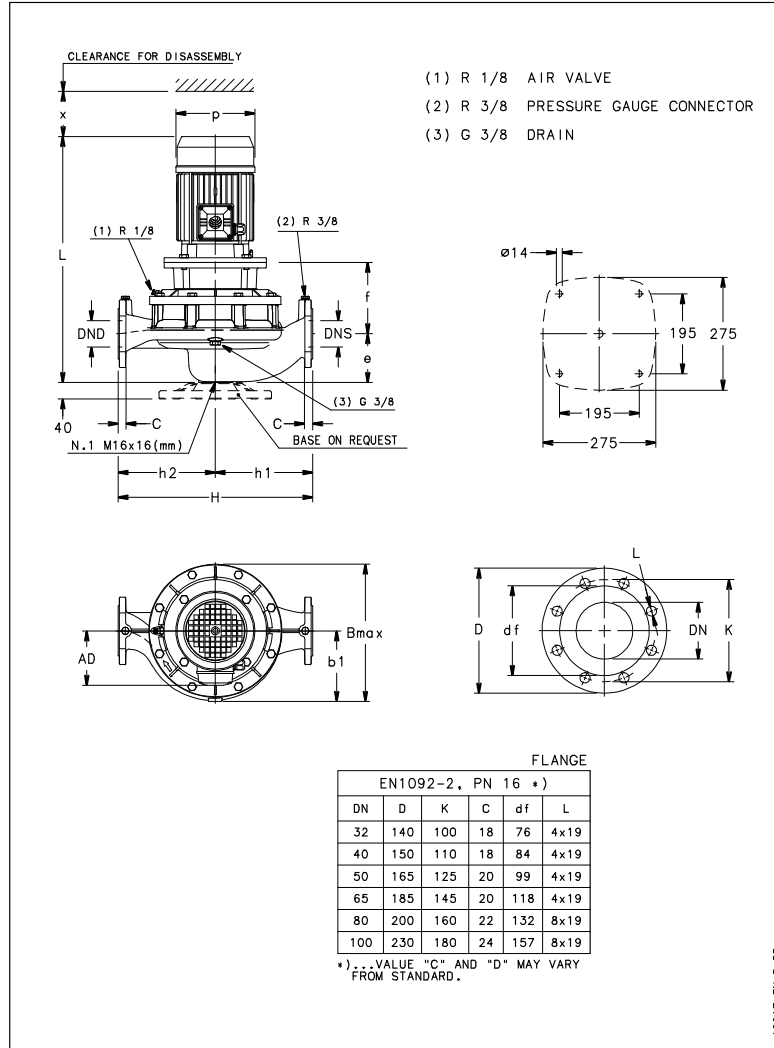
Dimensions

Company name
Contact
Phone number
e-mail address

Rigid coupling

PLM 160 B5 18,5 kW

Electrical and dimensional data refer to IE3 motor



Dimensions [inch]

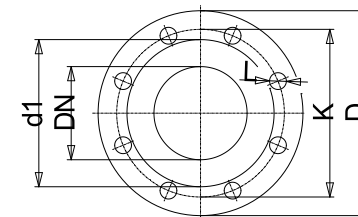
AD	9 ⁷ / ₁₆
b1	6 ⁵ / ₈
Bmax	13 ¹ / ₄
DNd	1 ¹⁵ / ₁₆
DNS	1 ¹⁵ / ₁₆
e	4 ³ / ₈
f	8 ³ / ₄
H	17 ⁵ / ₁₆
h1	8 ¹¹ / ₁₆
h2	8 ¹¹ / ₁₆
L	32 ⁹ / ₁₆
p	12 ⁵ / ₁₆
x	4 ¹ / ₄

Weight

Total weight	162.2 kg
--------------	----------

Connections

Suction nozzle		Discharge nozzle	
DN 50		DN 50	
PN 16		PN 16	
EN1092-2		EN1092-2	
C	1 ³ / ₁₆	C	1 ³ / ₁₆
D	6 ¹ / ₂	D	6 ¹ / ₂
df	3 ⁷ / ₈	df	3 ⁷ / ₈
DN	1 ¹⁵ / ₁₆	DN	1 ¹⁵ / ₁₆
K	4 ¹⁵ / ₁₆	K	4 ¹⁵ / ₁₆
L	4 x 19	L	4 x 19



Value C, D may vary from Standard

Dimensions and weight without obligation

Project Xylect-20070985
Block LNES 50-200/185/P26PCS4

Created by
Created on 1/19/2025

Last update 1/19/2025