

LNES 65-200/150/P25VCS4

Technical data

Company name
Contact
Phone number
e-mail address

| Operating data | | | | | |
|----------------|---------------------------|-------------------|----|--------------------------------------------|--------------------------|
| 1 | Pumpe type | Single head pump | | Fluid | Water |
| 2 | No. of pumps | 1 | | Operating temperature t A | °C 4 |
| 3 | Nominal flow | m ³ /h | 0 | Max / Min Operating Temperature mech. Seal | °C 120 / -25 |
| 4 | Nominal head | m | 0 | pH-value at t A | 7 |
| 5 | Static head | m | 0 | Density at t A | kg/m ³ 1000 |
| 6 | Inlet pressure | kPa | 0 | Kin. viscosity at t A | mm ² /s 1.569 |
| 7 | Environmental temperature | °C | 20 | Vapor pressure at t A | kPa 100 |
| 8 | Available system NPSH | m | 0 | Altitude | 0 |

| Pump data | | | | | |
|-----------|-----------------------|------------------------------------|------------------|-----------------------------|-----------------------------|
| 9 | Lubrication | Standard, Grease lubrication [Std] | | | |
| 10 | Execution | | | | |
| 11 | Design | In-line | | Impeller Ø | Max. mm 209 |
| 12 | Operating speed | 2900 rpm | Stages 1 | | designed mm 197 |
| 13 | Suction nozzle | DN 65 / | PN 16 / EN1092-2 | | Min. mm 168 |
| 14 | Discharge nozzle | DN 65 / | PN 16 / EN1092-2 | Flow | Nominal m ³ /h |
| 15 | Max. casing pressure | kPa | | | Max- m ³ /h 93.3 |
| 16 | Max. working pressure | kPa | 528.1 | Min- m ³ /h 23.8 | |
| 17 | Impeller type | Radial impeller | | Head | Nominal m |
| 18 | Head H(Q=0) | m | 54 | | at Qmax m 39.7 |
| 19 | Max. shaft power | kW | 14.7 | Shaft power kW | at Qmin m 54.5 |
| 20 | Pump weight | kg | | Efficiency % | |
| 21 | Total weight | kg | 159.0 | NPSH 3% m | |

| Materials | | | | | |
|-----------|------------------------------|-----------------------------|--|----------------------------------------------|-------------------------------------------|
| 22 | | Pump | | Shaft Seal | |
| 23 | Volute Casing | Cast iron | | Single mechanical seal, without shaft sleeve | |
| 24 | Casing Cover | Cast iron | | eMG12 - Ø28mm | BQ7EGG-WA |
| 25 | Impeller | Stainless steel / AISI 304 | | Mechanical seal diameter | 28 mm |
| 26 | Stub shaft | Stainless steel / AISI 316L | | 1. Rotating ring | Carbon graphite resin impregnated |
| 27 | Wear ring | Stainless steel / AISI 304 | | 2. Stationary ring | SiC, silicon carbide, sintered press.less |
| 28 | Impeller lock nut and washer | Stainless steel / AISI 304 | | 3. Secondary seal | Ethylene propylene rubber (EPDM) |
| 29 | Impeller key | Stainless steel / AISI 316L | | 4. Springs | CrNiMo - Steel |
| 30 | Fill and drain plugs | Nickel-plated brass | | 5. Others | EPDM - WRAS |
| 31 | | | | Gaskets of the pump | Ethylene propylene rubber (EPDM) |
| 32 | | | | | |
| 33 | | | | | |
| 34 | | | | | |
| 35 | | | | | |
| 36 | | | | | |
| 37 | | | | | |
| 38 | | | | | |
| 39 | | | | | |
| 40 | | | | | |
| 41 | | | | | |

| Motor data | | | | | |
|----------------------------------------------------|-----------------|-------------------------------------------|----------------------|--------|--|
| Electrical and dimensional data refer to IE3 motor | | | | | |
| 42 | Manufacturer | Lowara | | | |
| 43 | Specific design | IE3 3ph Flange Motor - Premium Efficiency | | | |
| 44 | Type | PLM 160 B5 15 kW | | | |
| 45 | Rated power | 15 kW | Rated current | 26.6 A | |
| 46 | Nominal speed | 2940 rpm | Rated voltage | 400 V | |
| 47 | Frame size | 160 | Service factor | 1 | |
| 48 | Weight | kg 103.0 | Degree of protection | IP55 | |

| Remarks | | | | | |
|---------|--|--|--|--|--|
| 49 | | | | | |
| 50 | | | | | |
| 50 | | | | | |
| 52 | | | | | |

LNES 65-200/150/P25VCS4

Performance curve

Company name
Contact
Phone number
e-mail address

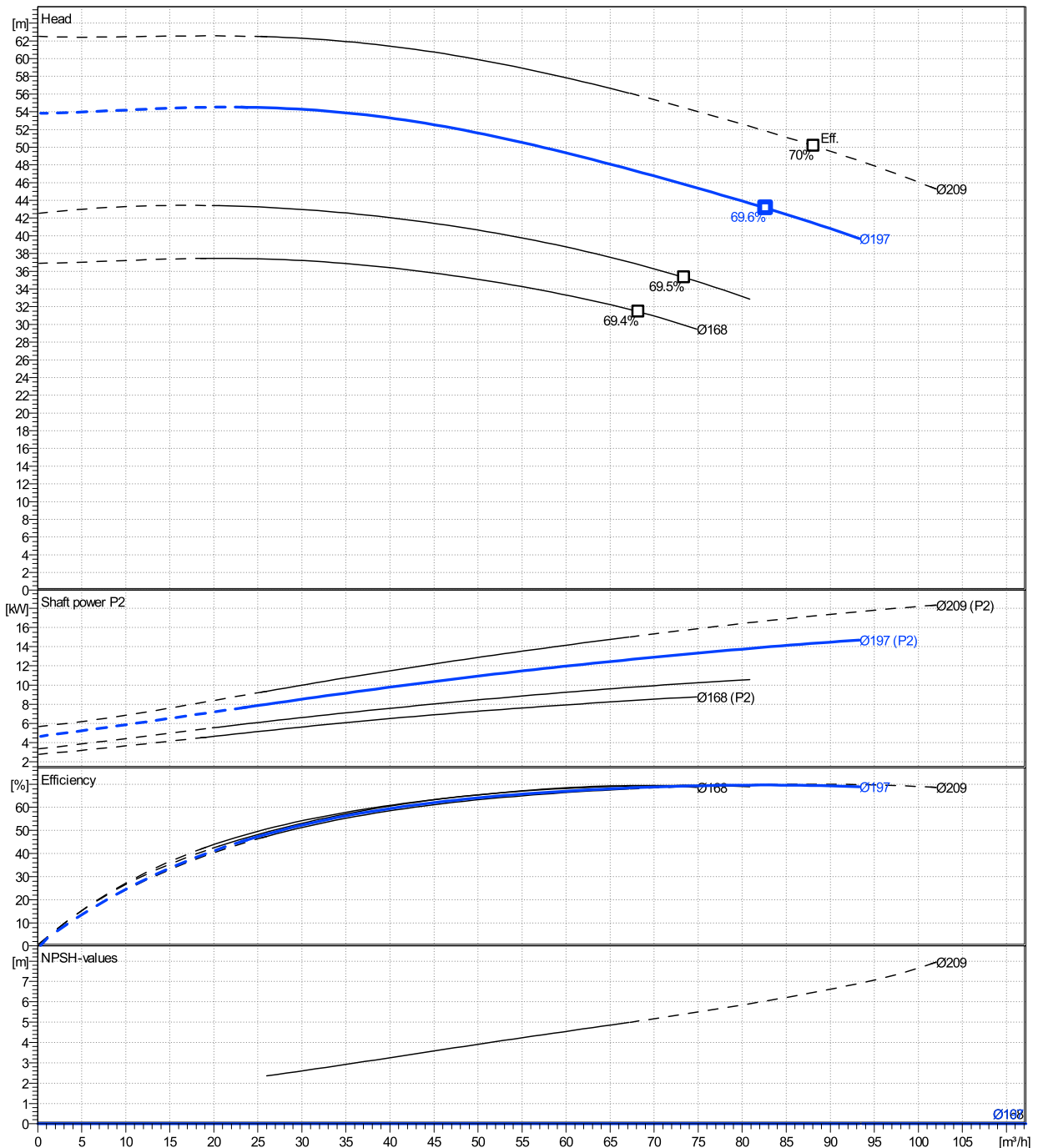
| | Ø mm | Pump capacity | | | Pump head | | Shaft power P2 | | | Frequency | |
|--------|---------|------------------------------|-----------|----------------|-------------|-------------|----------------|---------|--------------|-----------|------|
| | | Operating range Min. m³/h | Max. m³/h | η Max. m³/h | H(Q=0) m | η Max. m | P2(Q=0) kW | Max. kW | η Max. kW | Hz | |
| actual | 197 | 23.8 | 93.3 | 82.7 | 53.8 | 43.1 | 14.7 | 14 | | 50 | 2900 |
| Min. | 0 | / | / | 68.2 | 36.9 | 31.4 | / | 8.42 | | | 0 |
| Max. | 209 | / | / | 88.1 | 62.5 | 50.2 | / | 17.2 | | | 0 |

Power datas referred to:

hydr. Performance acceptance acc. To EN ISO 9906 Class Grade 3B

Water [100%] ; 4°C; 1000kg/m³; 1.57mm²/s

MEI: N.A - according to Ecodesign Directive 2009/125/EC and Regulation (EU) No.547/2012



LNES 65-200/150/P25VCS4

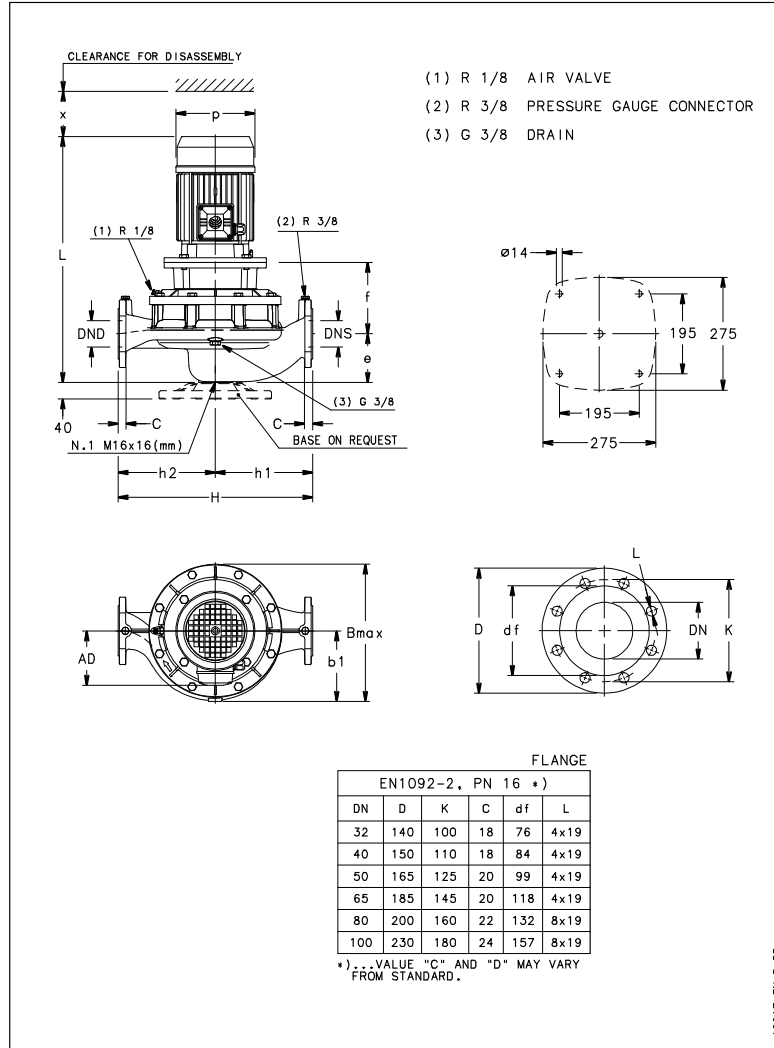
Dimensions

Company name
Contact
Phone number
e-mail address

Rigid coupling

PLM 160 B5 15 kW

Electrical and dimensional data refer to IE3 motor



Dimensions [mm]

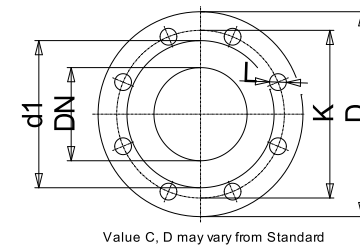
| | |
|------|-------|
| AD | 240 |
| b1 | 178 |
| Bmax | 347 |
| DNd | 65 |
| DNs | 65 |
| e | 118 |
| f | 222 |
| H | 475 |
| h1 | 237.5 |
| h2 | 237.5 |
| L | 834 |
| p | 313 |
| x | 105 |

Weight

| | |
|--------------|--------|
| Total weight | 159 kg |
|--------------|--------|

Connections

| Suction nozzle | | Discharge nozzle | |
|----------------|--------|------------------|--------|
| DN 65 | | DN 65 | |
| PN 16 | | PN 16 | |
| EN1092-2 | | EN1092-2 | |
| C | 20 | C | 20 |
| D | 185 | D | 185 |
| df | 118 | df | 118 |
| DN | 65 | DN | 65 |
| K | 145 | K | 145 |
| L | 4 x 19 | L | 4 x 19 |



Dimensions and weight without obligation

| | |
|---------|------------------------|
| Project | Xylect-20128214 |
| Block | LNES 65-200/22/P45RCS4 |

Created by
Created on 12/21/2024

Last update 12/21/2024