

LNES 80-160/75/P25VCC4

Technical data

Company name
Contact
Phone number
e-mail address

| Operating data | | | |
|----------------|---------------------------|------------------|---|
| 1 | Pumpe type | Single head pump | Fluid Water |
| 2 | No. of pumps | 1 | Operating temperature t A °C 4 |
| 3 | Nominal flow | m³/h 0 | Max / Min Operating Temperature mech. Seal °C 120 / -25 |
| 4 | Nominal head | m 0 | pH-value at t A 7 |
| 5 | Static head | m 0 | Density at t A kg/m³ 1000 |
| 6 | Inlet pressure | kPa 0 | Kin. viscosity at t A mm²/s 1.569 |
| 7 | Environmental temperature | °C 20 | Vapor pressure at t A kPa 100 |
| 8 | Available system NPSH | m 0 | Altitude 0 |

| Pump data | | | |
|-----------|-----------------------|------------------------------------|---------------------|
| 9 | Lubrication | Standard, Grease lubrication [Std] | |
| 10 | Execution | | |
| 11 | Design | In-line | Impeller Ø |
| 12 | Operating speed | 2900 rpm | Stages 1 |
| 13 | Suction nozzle | DN 80 / PN 16 / EN1092-2 | Max. mm 180 |
| 14 | Discharge nozzle | DN 80 / PN 16 / EN1092-2 | designed mm 145 |
| 15 | Max. casing pressure | kPa | Min. mm 130 |
| 16 | Max. working pressure | kPa 277.8 | Nominal m³/h |
| 17 | Impeller type | Radial impeller | Flow Max- m³/h 126 |
| 18 | Head H(Q=0) | m 28 | Min- m³/h 25.2 |
| 19 | Max. shaft power | kW 7.3 | Head at Qmax m 13.7 |
| 20 | Pump weight | kg | at Qmin m 27.9 |
| 21 | Total weight | kg 108.2 | Shaft power kW |
| | | | Efficiency % |
| | | | NPSH 3% m |

| Materials | | | |
|-----------|-----------------|-------------------------------------|---|
| 22 | | Pump | Shaft Seal |
| 23 | Volute Casing | Cast iron | Single mechanical seal, without shaft sleeve |
| 24 | Casing Cover | Cast iron | eMG12 - Ø28mm BQ7EGG-WA |
| 25 | Impeller | Cast iron / ASTM Class 30 | Mechanical seal diameter 28 mm |
| 26 | Stub shaft | Stainless steel / AISI 431 | 1. Rotating ring Carbon graphite resin impregnated |
| 27 | Wear ring | Stainless steel / AISI 304 | 2. Stationary ring SiC, silicon carbide, sintered press. less |
| 28 | Impeller Nut | Stainless steel | 3. Secondary seal Ethylene propylene rubber (EPDM) |
| 29 | Impeller washer | Stainless steel | 4. Springs CrNiMo - Steel |
| 30 | Impeller key | Stainless steel / AISI 316Ti | 5. Others EPDM - WRAS |
| 31 | PLUG | Stainless steel / AISI 316Ti | Gaskets of the pump Ethylene propylene rubber (EPDM) |
| 32 | GASKET | Asbestos-free synthetic fiber AFM34 | |
| 33 | | | |
| 34 | | | |
| 35 | | | |
| 36 | | | |
| 37 | | | |
| 38 | | | |
| 39 | | | |
| 40 | | | |
| 41 | | | |

| Motor data | | | |
|--|-----------------|---|---------------------------|
| Electrical and dimensional data refer to IE3 motor | | | |
| 42 | Manufacturer | Lowara | |
| 43 | Specific design | IE3 3ph Flange Motor - Premium Efficiency | |
| 44 | Type | PLM 132 B5 7,5 kW | |
| 45 | Rated power | 7.5 kW | Rated current 14.1 A |
| 46 | Nominal speed | 2920 rpm | Rated voltage 400 V |
| 47 | Frame size | 132 | Service factor 1 |
| 48 | Weight | kg 56.0 | Degree of protection IP55 |

| Remarks | | | |
|---------|--|--|--|
| 49 | | | |
| 50 | | | |
| 50 | | | |
| 52 | | | |

LNES 80-160/75/P25VCC4

Performance curve

Company name
Contact
Phone number
e-mail address

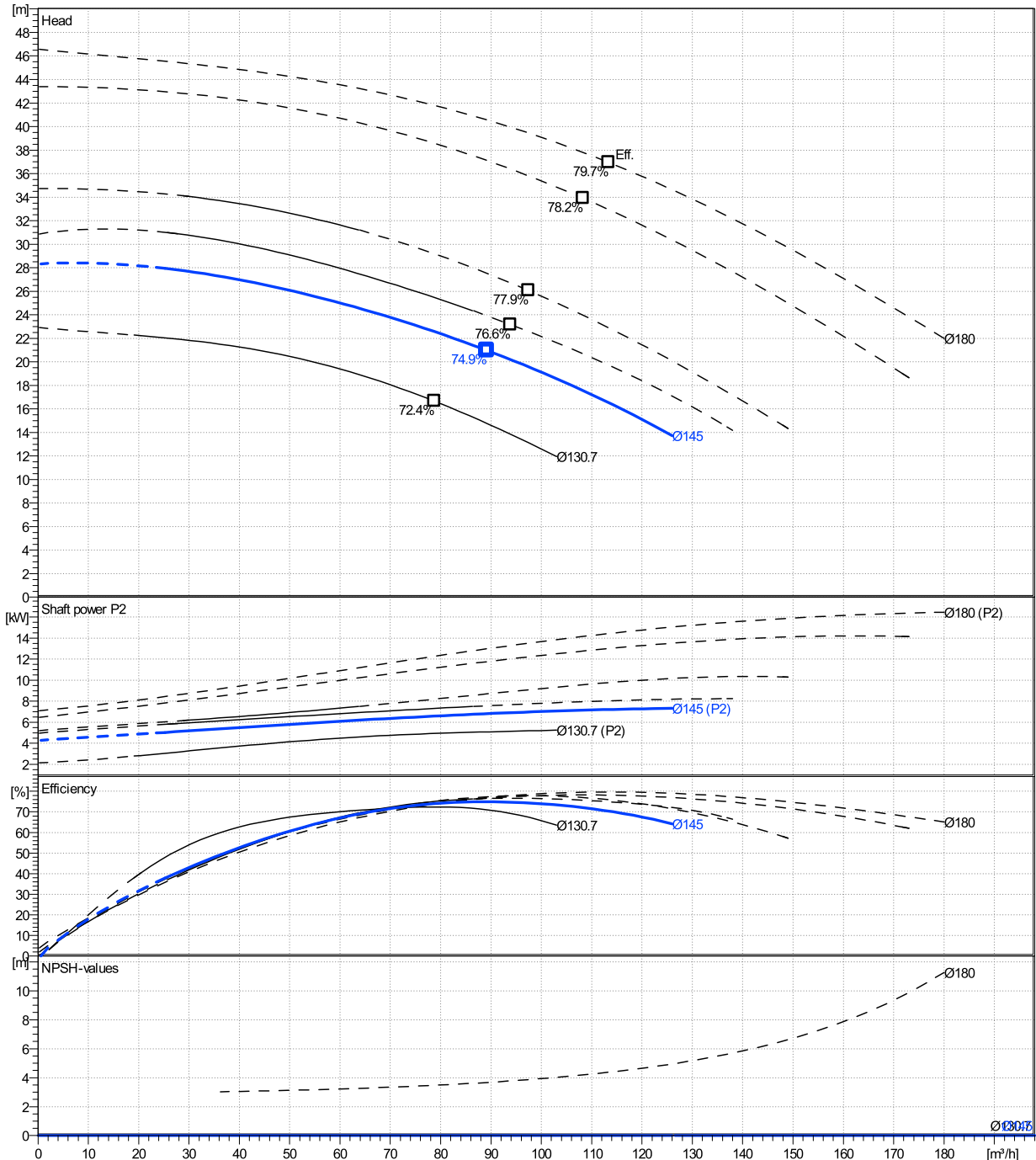
| | Ø mm | Pump capacity | | | Pump head | | Shaft power P2 | | | Frequency | Hz |
|--------|---------|------------------------------|-----------|----------------|-------------|-------------|----------------|---------|----------------|-----------------|-----|
| | | Operating range Min. m³/h | Max. m³/h | η Max. m³/h | H(Q=0) m | η Max. m | P2(Q=0) kW | Max. kW | η Max. kW | Operating speed | rpm |
| actual | 145 | 25.2 | 126 | 89.2 | 28.3 | 21 | 7.33 | 6.81 | Nominal flow | m³/h | 0 |
| Min. | 0 | / | / | 78.7 | 22.9 | 16.7 | / | 4.94 | Nominal head | m | 0 |
| Max. | 180 | / | / | 113 | 46.6 | 36.9 | / | 14.4 | Inlet pressure | kPa | 0 |
| | | | | | | | | | Static head | m | 0 |

Power datas referred to:

hydr. Performance acceptance acc. To EN ISO 9906 Class Grade 3B

Water [100%] ; 4°C; 1000kg/m³; 1.57mm²/s

MEI: N.A - according to Ecodesign Directive 2009/125/EC and Regulation (EU) No.547/2012



LNES 80-160/75/P25VCC4

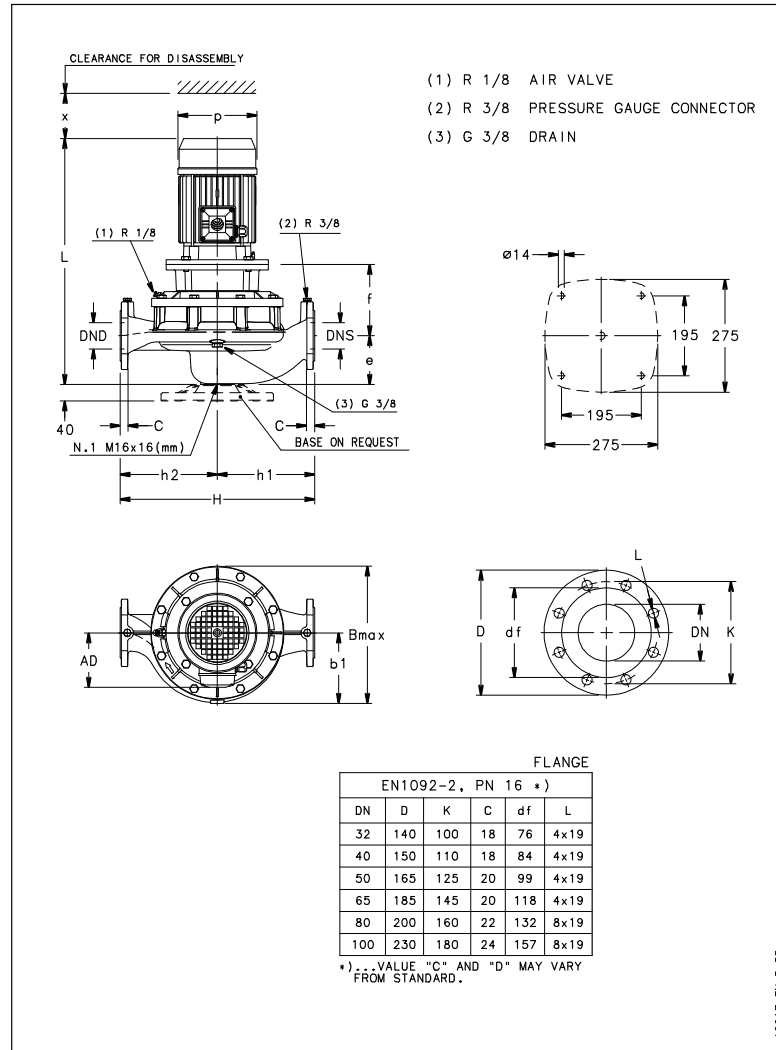
Dimensions

Company name
Contact
Phone number
e-mail address

Rigid coupling

PLM 132 B5 7,5 kW

Electrical and dimensional data refer to IE3 motor



Dimensions [mm]

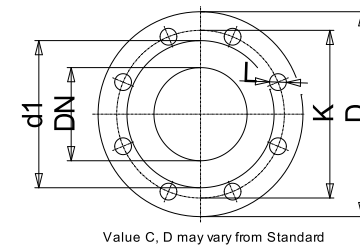
| | |
|------|-----|
| AD | 191 |
| b1 | 168 |
| Bmax | 336 |
| DNd | 80 |
| DNs | 80 |
| e | 114 |
| f | 207 |
| H | 420 |
| h1 | 215 |
| h2 | 205 |
| L | 688 |
| p | 256 |
| x | 111 |

Weight

| | |
|--------------|----------|
| Total weight | 108.2 kg |
|--------------|----------|

Connections

| Suction nozzle | | Discharge nozzle | |
|----------------|--------|------------------|--------|
| DN 80 | | DN 80 | |
| PN 16 | | PN 16 | |
| EN1092-2 | | EN1092-2 | |
| C | 22 | C | 22 |
| D | 200 | D | 200 |
| df | 132 | df | 132 |
| DN | 80 | DN | 80 |
| K | 160 | K | 160 |
| L | 8 x 19 | L | 8 x 19 |



Dimensions and weight without obligation

| | |
|---------|------------------------|
| Project | Xylect-20128214 |
| Block | LNES 80-160/22/P45RCC4 |

Created by
Created on 12/21/2024

Last update 12/21/2024