

LNES 80-200/30/P46PCC4

Technical data

Company name
Contact
Phone number
e-mail address

Operating data					
1	Pumpe type	Single head pump		Fluid	Water
2	No. of pumps	1		Operating temperature t A	°F 39.2
3	Nominal flow	US g.p.m.	0	Max / Min Operating Temperature mech. Seal	°F 120 / -25
4	Nominal head	ft	0	pH-value at t A	7
5	Static head	ft	0	Density at t A	lb/ft³ 62.4
6	Inlet pressure	psi	0	Kin. viscosity at t A	ft²/s 1.689E-5
7	Environmental temperature	°F	68	Vapor pressure at t A	psi 14.5
8	Available system NPSH	ft	0	Altitude	0

Pump data						
9	Lubrication	Standard, Grease lubrication [Std]				
10	Execution					
11	Design	In-line		Impeller Ø	Max. inch 8 11/16	
12	Operating speed	1750 rpm	Stages 1		designed inch 6 13/16	
13	Suction nozzle	DN 80 /	PN 16 /	EN1092-2	Min. inch 6 13/16	
14	Discharge nozzle	DN 80 /	PN 16 /	EN1092-2	Flow	
15	Max. casing pressure	psi			Nominal US g.p.m.	
16	Max. working pressure	psi	21.2		Max- US g.p.m. 343.4	
17	Impeller type	Radial impeller		Head	Min- US g.p.m. 63.8	
18	Head H(Q=0)	ft	49		Nominal ft	
19	Max. shaft power	hp	3.7		at Qmax ft 24	
20	Pump weight	kg			at Qmin ft 48.8	
21	Total weight	lb	191.8		Shaft power hp	
					Efficiency %	
					NPSH 3% ft	

Materials					
22		Pump		Shaft Seal	
23	Volute Casing	Cast iron		Single mechanical seal, without shaft sleeve	
24	Casing Cover	Cast iron		eMG12 - Ø28mm	BQ7EGG-WA
25	Impeller	Cast iron / ASTM Class 30		Mechanical seal diameter	1 1/8 inch
26	Stub shaft	Stainless steel / AISI 431		1. Rotating ring	Carbon graphite resin impregnated
27	Wear ring	Stainless steel / AISI 304		2. Stationary ring	SiC, silicon carbide, sintered press.less
28	Impeller Nut	Stainless steel		3. Secondary seal	Ethylene propylene rubber (EPDM)
29	Impeller washer	Stainless steel		4. Springs	CrNiMo - Steel
30	Impeller key	Stainless steel / AISI 316Ti		5. Others	EPDM - WRAS
31	PLUG	Stainless steel / AISI 316Ti		Gaskets of the pump	Ethylene propylene rubber (EPDM)
32	GASKET	Asbestos-free synthetic fiber AFM34			
33					
34					
35					
36					
37					
38					
39					
40					
41					

Motor data					
Electrical and dimensional data refer to IE3 motor					
42	Manufacturer	Lowara			
43	Specific design	IE3 3ph Flange Motor - Premium Efficiency			
44	Type	PLM 100 B5 3 kW			
45	Rated power	4.0231 hp	Rated current	11.5 A	
46	Nominal speed	1746 rpm	Rated voltage	220 V	
47	Frame size	100	Service factor	1	
48	Weight	lb 78.0	Degree of protection	IP55	

Remarks					
49					
50					
50					
52					

LNES 80-200/30/P46PCC4

Performance curve

Company name
Contact
Phone number
e-mail address

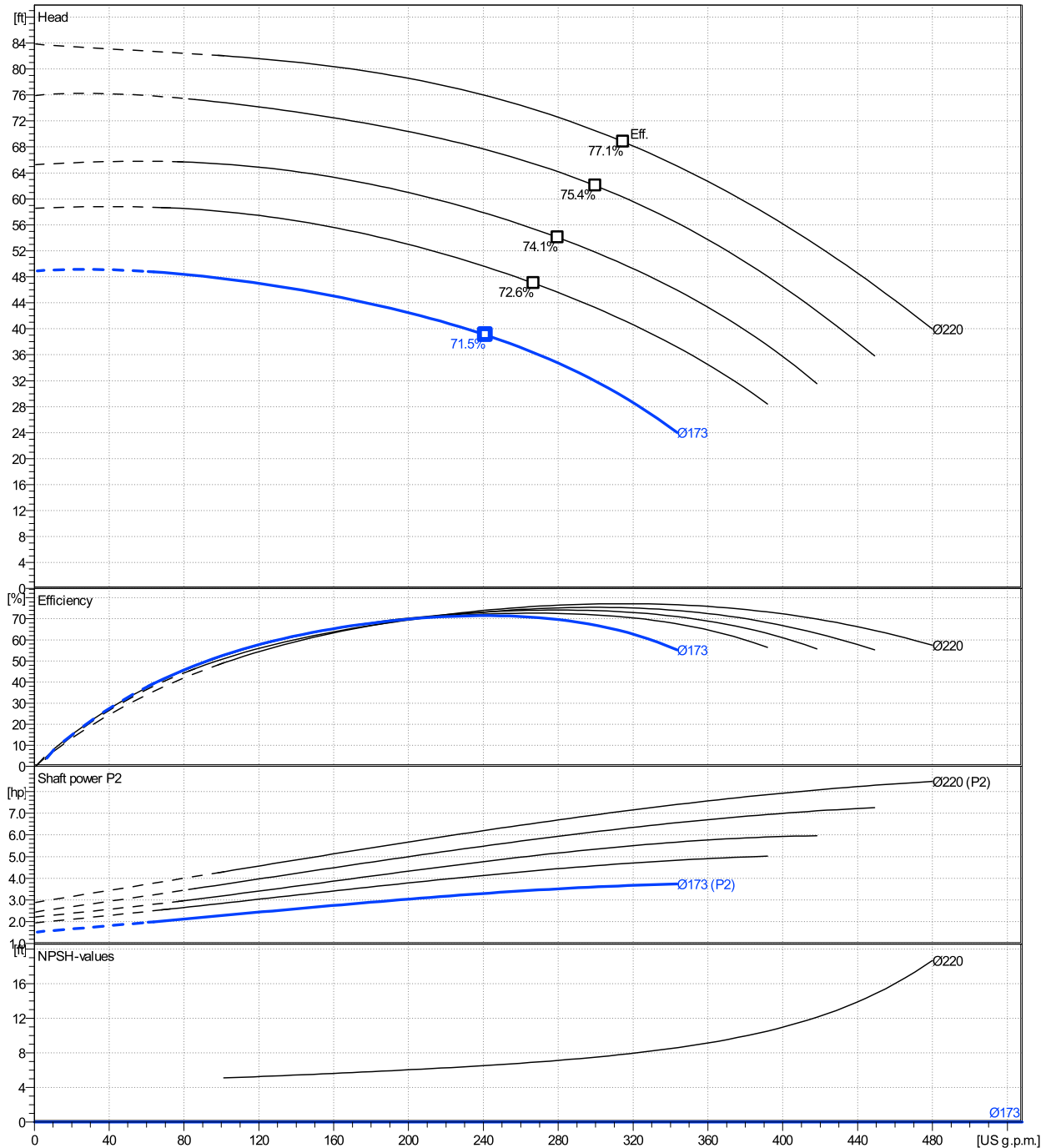
	Ø mm	Pump capacity Operating range η			Pump head H(Q=0) η		Shaft power P2 P2(Q=0) η			Frequency Hz	
		Min. US g.p.m.	Max. US g.p.m.	Max. US g.p.m.	ft	ft	hp	Max. hp	η hp	rpm	
actual	6 13/16	63.8	343	241	48.9	39	3.74	3.31	77.1%	1750	0
Min.	0	/	/	241	48.9	39	/	3.31			0
Max.	8 11/16	/	/	315	83.8	68.8	/	7.09			0

Power datas referred to:

hydr. Performance acceptance acc. To EN ISO 9906 Class Grade 3B

Water [100%] ; 39.2°F ; 62.4lb/ft³ ; 1.69E-5ft²/s

MEI: N.A - according to Ecodesign Directive 2009/125/EC and Regulation (EU) No.547/2012



LNES 80-200/30/P46PCC4

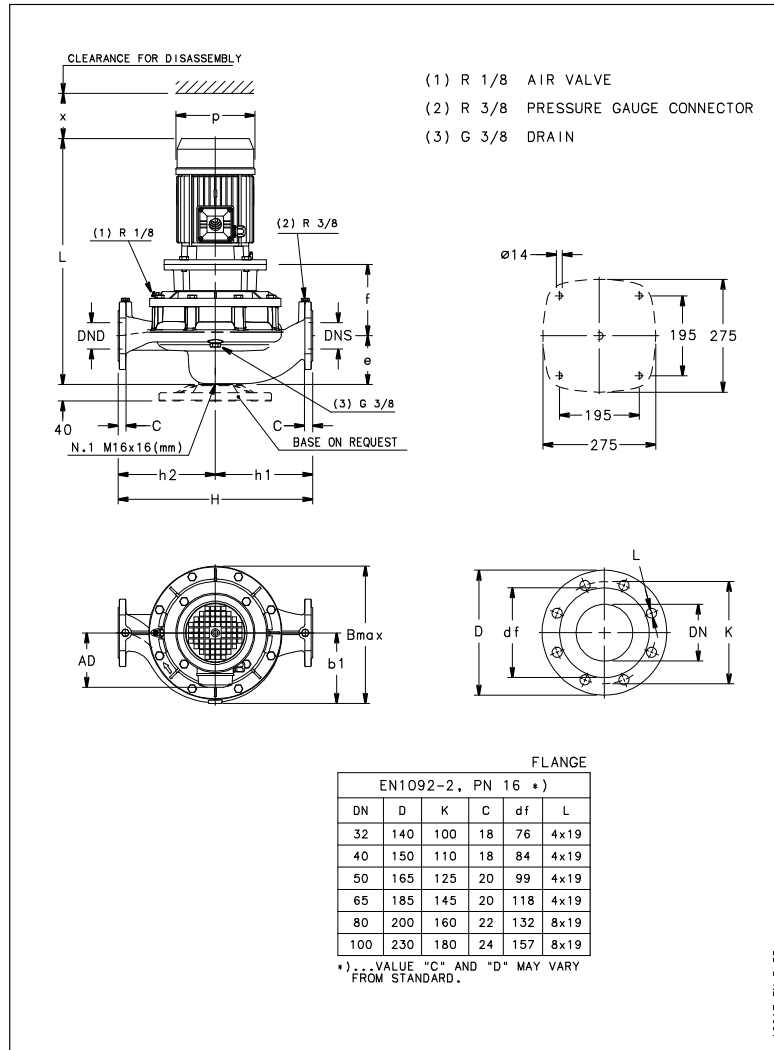
Dimensions

Company name
Contact
Phone number
e-mail address

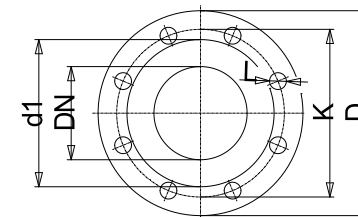
Rigid coupling

PLM 100 B5 3 kW

Electrical and dimensional data refer to IE3 motor



A0017-EN_LB_DD



Dimensions [inch]

AD	6 ⁵ / ₈		
b1	7 ⁵ / ₁₆		
Bmax	13 ⁷ / ₈		
DNd	3 ¹ / ₈		
DNS	3 ¹ / ₈		
e	5 ³ / ₁₆		
f	7 ³ / ₁₆		
H	19 ¹¹ / ₁₆		
h1	10 ⁷ / ₁₆		
h2	9 ¹ / ₄		
L	26 ⁵ / ₁₆		
p	8 ⁷ / ₁₆		
x	5 ¹ / ₈		

Weight

Total weight	87 kg
--------------	-------

Connections

Suction nozzle		Discharge nozzle	
DN 80		DN 80	
PN 16		PN 16	
EN1092-2		EN1092-2	
C	7 ¹ / ₈	C	7 ¹ / ₈
D	7 ⁷ / ₈	D	7 ⁷ / ₈
df	5 ³ / ₁₆	df	5 ³ / ₁₆
DN	3 ¹ / ₈	DN	3 ¹ / ₈
K	6 ⁵ / ₁₆	K	6 ⁵ / ₁₆
L	8 x 19	L	8 x 19

Dimensions and weight without obligation

Project Xylect-20070985
Block LNES 80-200/75/P46PCC4

Created by
Created on 1/19/2025

Last update 1/19/2025