

# LNES 80-200/40/P46PCC4

## Technical data

Company name  
Contact  
Phone number  
e-mail address

Operating data					
1	Pumpe type	Single head pump		Fluid	Water
2	No. of pumps	1		Operating temperature at t A	°F 39.2
3	Nominal flow	US g.p.m.	0	Max / Min Operating Temperature mech. Seal	°F 120 / -25
4	Nominal head	ft	0	pH-value at t A	7
5	Static head	ft	0	Density at t A	lb/ft <sup>3</sup> 62.4
6	Inlet pressure	psi	0	Kin. viscosity at t A	ft <sup>2</sup> /s 1.689E-5
7	Environmental temperature	°F	68	Vapor pressure at t A	psi 14.5
8	Available system NPSH	ft	0	Altitude	0

Pump data					
9	Lubrication	Standard, Grease lubrication [Std]			
10	Execution				
11	Design	In-line		Impeller Ø	Max. inch 8 11/16
12	Operating speed	1750 rpm	Stages 1		designed inch 7 7/16
13	Suction nozzle	DN 80 /	PN 16 /		EN1092-2
14	Discharge nozzle	DN 80 /	PN 16 /	EN1092-2	Flow
15	Max. casing pressure	psi			Nominal US g.p.m.
16	Max. working pressure	psi	25.4		Max- US g.p.m. 391.9
17	Impeller type	Radial impeller			Min- US g.p.m. 72.6
18	Head H(Q=0)	ft	59	Head	Nominal ft
19	Max. shaft power	hp	5		at Qmax ft 28.4
20	Pump weight	kg		Shaft power	at Qmin ft 58.6
21	Total weight	lb	233.7	Efficiency	
				NPSH 3%	ft

Materials					
22		Pump		Shaft Seal	
23	Volute Casing	Cast iron		Single mechanical seal, without shaft sleeve	
24	Casing Cover	Cast iron		eMG12 - Ø28mm	BQ7EGG-WA
25	Impeller	Cast iron / ASTM Class 30		Mechanical seal diameter	1 1/8 inch
26	Stub shaft	Stainless steel / AISI 431		1. Rotating ring	Carbon graphite resin impregnated
27	Wear ring	Stainless steel / AISI 304		2. Stationary ring	SiC, silicon carbide, sintered press.less
28	Impeller Nut	Stainless steel		3. Secondary seal	Ethylene propylene rubber (EPDM)
29	Impeller washer	Stainless steel		4. Springs	CrNiMo - Steel
30	Impeller key	Stainless steel / AISI 316Ti		5. Others	EPDM - WRAS
31	PLUG	Stainless steel / AISI 316Ti		Gaskets of the pump	Ethylene propylene rubber (EPDM)
32	GASKET	Asbestos-free synthetic fiber AFM34			
33					
34					
35					
36					
37					
38					
39					
40					
41					

Motor data					
Electrical and dimensional data refer to IE3 motor					
42	Manufacturer	Lowara			
43	Specific design	IE3 3ph Flange Motor - Premium Efficiency			
44	Type	PLM 112 B5 4 kW			
45	Rated power	5.3641 hp	Rated current	14.8 A	
46	Nominal speed	1740 rpm	Rated voltage	220 V	
47	Frame size	112	Service factor	1	
48	Weight	lb 126.1	Degree of protection	IP55	

Remarks					
49					
50					
50					
52					

# LNES 80-200/40/P46PCC4

## Performance curve

Company name  
Contact  
Phone number  
e-mail address

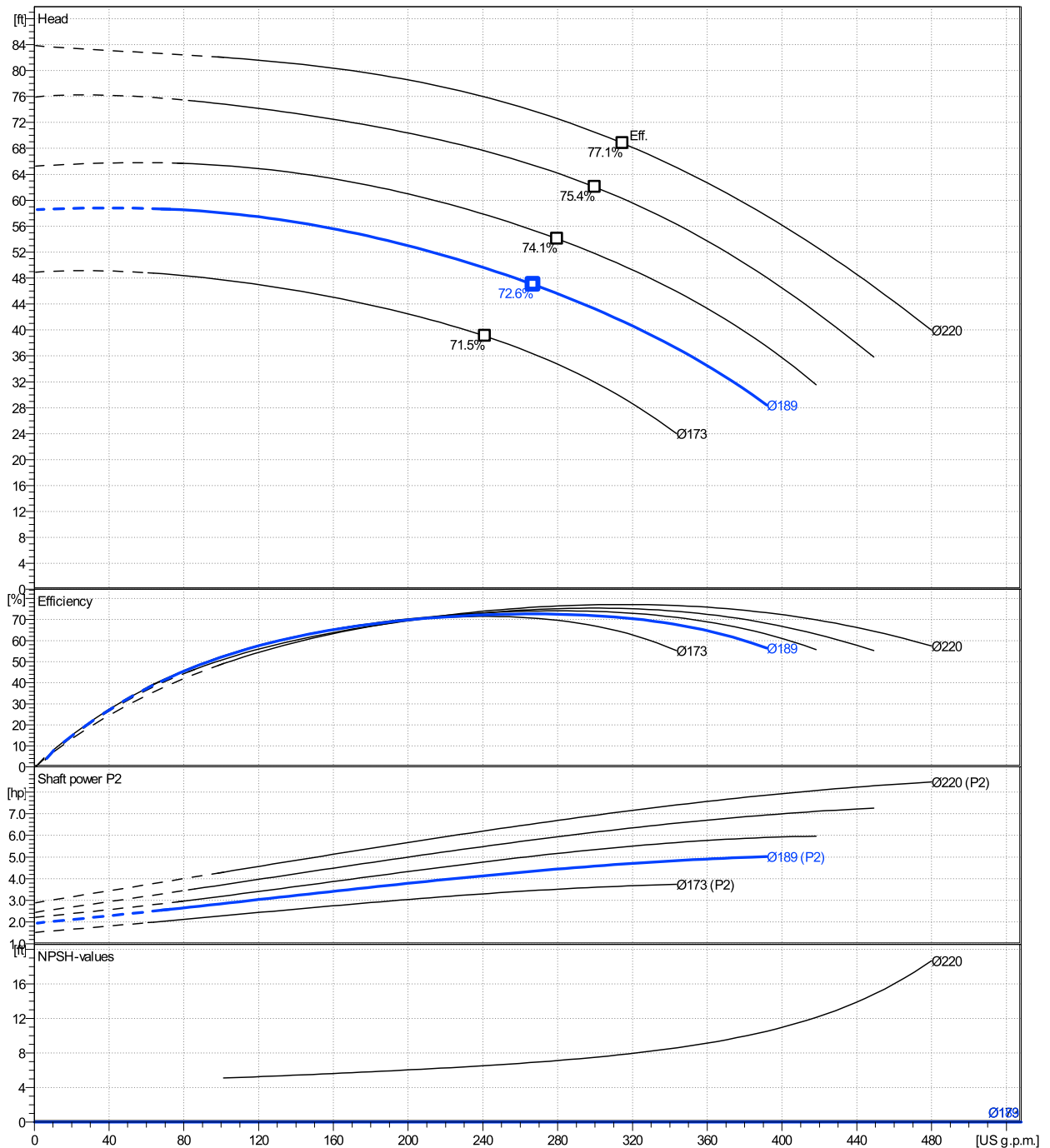
	Ø mm	Pump capacity Operating range η			Pump head H(Q=0) η		Shaft power P2 P2(Q=0) η			Frequency	Hz	
		Min. US g.p.m.	Max. US g.p.m.	Max. US g.p.m.	ft	ft	hp	hp	hp	Operating speed	rpm	
actual	7 7/16	72.6	392	267	58.5	47	5.02	4.35			60	1750
Min.	0	/	/	241	48.9	39	/	3.31		Nominal flow	US g.p.m.	0
Max.	8 11/16	/	/	315	83.8	68.8	/	7.09		Nominal head	ft	0
										Inlet pressure	psi	0
										Static head	ft	0

**Power datas referred to:**

hydr. Performance acceptance acc. To EN ISO 9906 Class Grade 3B

Water [100%] ; 39.2°F ; 62.4lb/ft³ ; 1.69E-5ft²/s

MEI: N.A - according to Ecodesign Directive 2009/125/EC and Regulation (EU) No.547/2012



**LNES 80-200/40/P46PCC4**

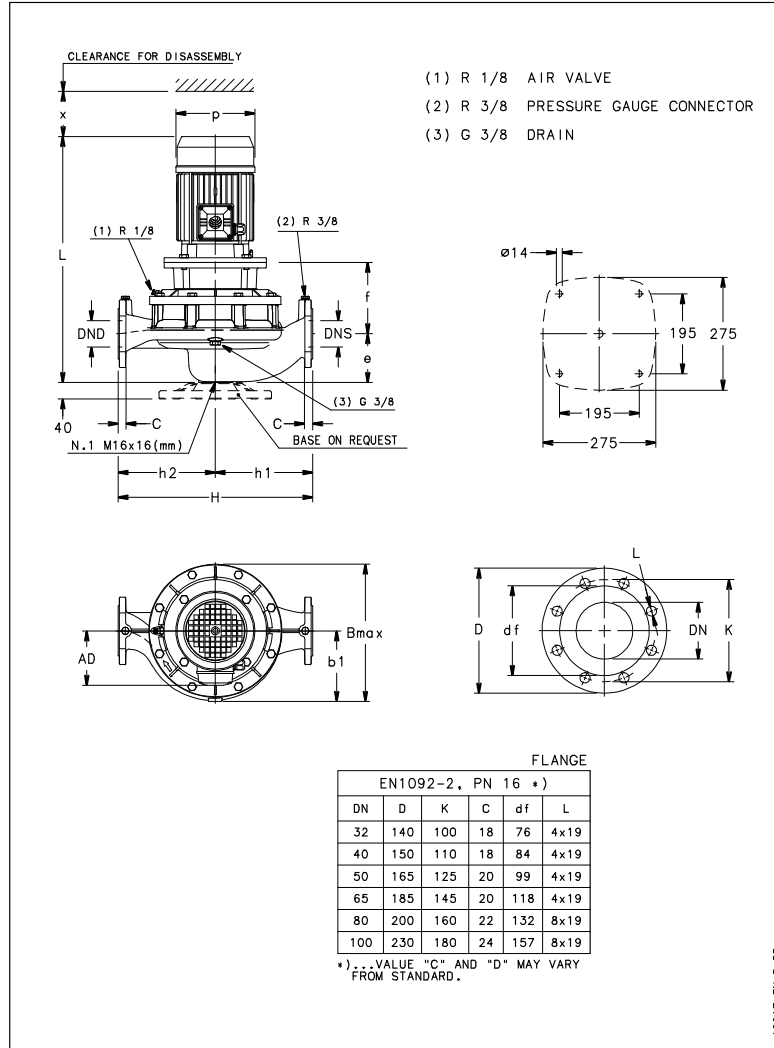
**Dimensions**

Company name  
Contact  
Phone number  
e-mail address

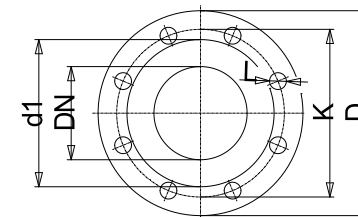
Rigid coupling

PLM 112 B5 4 kW

Electrical and dimensional data refer to IE3 motor



A0017-EN\_LB\_DD



Value C, D may vary from Standard

**Dimensions [ inch ]**

AD	6 <sup>5</sup> / <sub>8</sub>		
b1	7 <sup>5</sup> / <sub>16</sub>		
Bmax	13 <sup>7</sup> / <sub>8</sub>		
DNd	3 <sup>1</sup> / <sub>8</sub>		
DNS	3 <sup>1</sup> / <sub>8</sub>		
e	5 <sup>3</sup> / <sub>16</sub>		
f	7 <sup>3</sup> / <sub>16</sub>		
H	19 <sup>11</sup> / <sub>16</sub>		
h1	10 <sup>7</sup> / <sub>16</sub>		
h2	9 <sup>1</sup> / <sub>4</sub>		
L	27 <sup>7</sup> / <sub>16</sub>		
p	8 <sup>7</sup> / <sub>16</sub>		
x	5 <sup>1</sup> / <sub>8</sub>		

**Weight**

**Total weight** 106 kg

**Connections**

Suction nozzle		Discharge nozzle	
<b>DN 80</b>		<b>DN 80</b>	
<b>PN 16</b>		<b>PN 16</b>	
<b>EN1092-2</b>		<b>EN1092-2</b>	
C	7 <sup>1</sup> / <sub>8</sub>	C	7 <sup>1</sup> / <sub>8</sub>
D	7 <sup>7</sup> / <sub>8</sub>	D	7 <sup>7</sup> / <sub>8</sub>
df	5 <sup>3</sup> / <sub>16</sub>	df	5 <sup>3</sup> / <sub>16</sub>
DN	3 <sup>1</sup> / <sub>8</sub>	DN	3 <sup>1</sup> / <sub>8</sub>
K	6 <sup>5</sup> / <sub>16</sub>	K	6 <sup>5</sup> / <sub>16</sub>
L	8 x 19	L	8 x 19

**Dimensions and weight without obligation**

**Project** Xylect-20070985  
**Block** LNES 80-200/75/P46PCC4

**Created by**  
**Created on** 1/19/2025

**Last update** 1/19/2025