

LNES 80-200/55/P46PCC4

Technical data

Company name
Contact
Phone number
e-mail address

Operating data					
1	Pumpe type	Single head pump		Fluid	Water
2	No. of pumps	1		Operating temperature t A	°F 39.2
3	Nominal flow	US g.p.m.	0	Max / Min Operating Temperature mech. Seal	°F 120 / -25
4	Nominal head	ft	0	pH-value at t A	7
5	Static head	ft	0	Density at t A	lb/ft ³ 62.4
6	Inlet pressure	psi	0	Kin. viscosity at t A	ft ² /s 1.689E-5
7	Environmental temperature	°F	68	Vapor pressure at t A	psi 14.5
8	Available system NPSH	ft	0	Altitude	0

Pump data					
9	Lubrication	Standard, Grease lubrication [Std]			
10	Execution				
11	Design	In-line		Impeller Ø	Max. inch 8 11/16
12	Operating speed	1750 rpm	Stages 1		designed inch 8 1/4
13	Suction nozzle	DN 80 /	PN 16 /	Flow	Min. inch 6 13/16
14	Discharge nozzle	DN 80 /	PN 16 /		Nominal US g.p.m.
15	Max. casing pressure	psi		Max- US g.p.m.	449.1
16	Max. working pressure	psi	32.9	Min- US g.p.m.	85.9
17	Impeller type	Radial impeller		Head	Nominal ft
18	Head H(Q=0)	ft	76		at Qmax ft 35.8
19	Max. shaft power	hp	7.3		at Qmin ft 75.3
20	Pump weight	kg		Shaft power	hp
21	Total weight	lb	257.9	Efficiency	%
				NPSH 3%	ft

Materials					
22		Pump		Shaft Seal	
23	Volute Casing	Cast iron		Single mechanical seal, without shaft sleeve	
24	Casing Cover	Cast iron		eMG12 - Ø28mm	BQ7EGG-WA
25	Impeller	Cast iron / ASTM Class 30		Mechanical seal diameter	1 1/8 inch
26	Stub shaft	Stainless steel / AISI 431		1. Rotating ring	Carbon graphite resin impregnated
27	Wear ring	Stainless steel / AISI 304		2. Stationary ring	SiC, silicon carbide, sintered press.less
28	Impeller Nut	Stainless steel		3. Secondary seal	Ethylene propylene rubber (EPDM)
29	Impeller washer	Stainless steel		4. Springs	CrNiMo - Steel
30	Impeller key	Stainless steel / AISI 316Ti		5. Others	EPDM - WRAS
31	PLUG	Stainless steel / AISI 316Ti		Gaskets of the pump	Ethylene propylene rubber (EPDM)
32	GASKET	Asbestos-free synthetic fiber AFM34			
33					
34					
35					
36					
37					
38					
39					
40					
41					

Motor data					
Electrical and dimensional data refer to IE3 motor					
42	Manufacturer	Lowara			
43	Specific design	IE3 3ph Flange Motor - Premium Efficiency			
44	Type	PLM 132 B5 5,5 kW			
45	Rated power	7.3756 hp	Rated current	20 A	
46	Nominal speed	1758 rpm	Rated voltage	220 V	
47	Frame size	132	Service factor	1	
48	Weight	lb 138.0	Degree of protection	IP55	

Remarks					
49					
50					
50					
52					

LNES 80-200/55/P46PCC4

Performance curve

Company name
Contact
Phone number
e-mail address

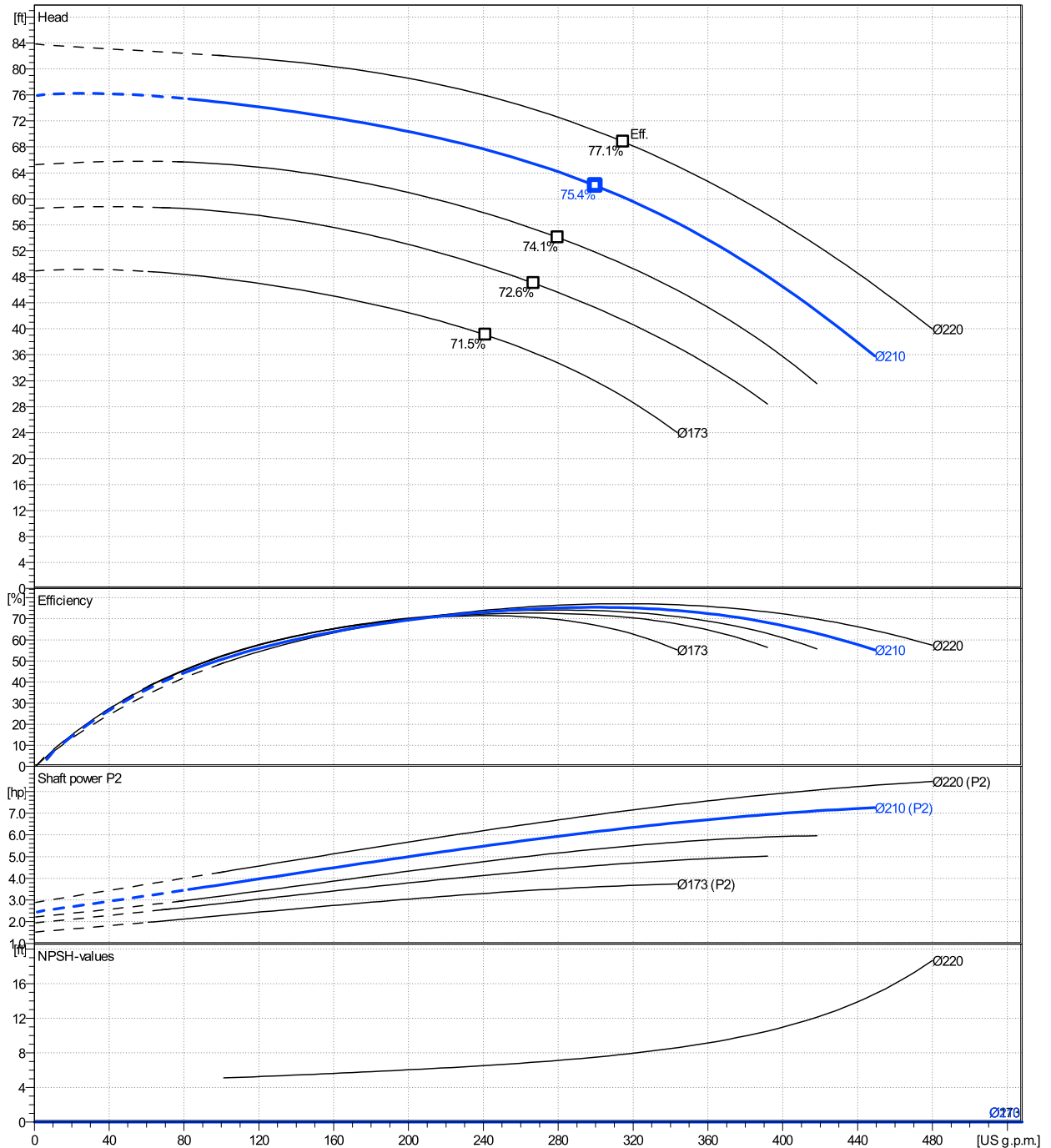
	Ø mm	Pump capacity Operating range η			Pump head H(Q=0) η		Shaft power P2 P2(Q=0) η			Frequency Hz	
		Min. US g.p.m.	Max. US g.p.m.	Max. US g.p.m.	ft	ft	hp	hp	hp	rpm	
actual	8 1/4	85.9	449	300	75.9	62	7.25	6.14		60	1750
Min.	0	/	/	241	48.9	39	/	3.31			0
Max.	8 11/16	/	/	315	83.8	68.8	/	7.09			0

Power datas referred to:

hydr. Performance acceptance acc. To EN ISO 9906 Class Grade 3B

Water [100%] ; 39.2°F ; 62.4lb/ft³ ; 1.69E-5ft²/s

MEI: N.A - according to Ecodesign Directive 2009/125/EC and Regulation (EU) No.547/2012



LNES 80-200/55/P46PCC4

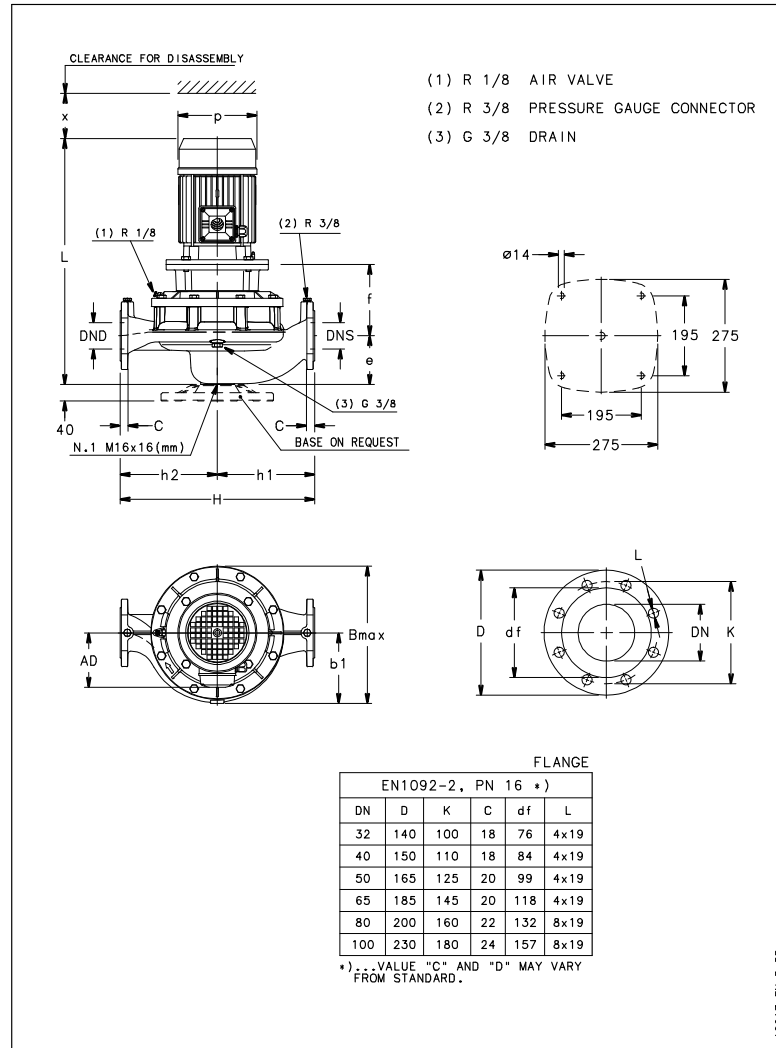
Dimensions

Company name
Contact
Phone number
e-mail address

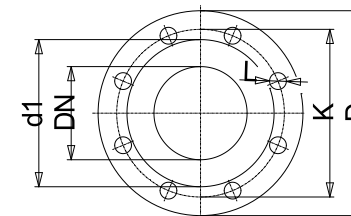
Rigid coupling

PLM 132 B5 5,5 kW

Electrical and dimensional data refer to IE3 motor



A0017-EN_LB_DD



Value C, D may vary from Standard

Dimensions		[inch]	
AD	7 ¹ / ₂		
b1	7 ⁵ / ₁₆		
Bmax	13 ⁷ / ₈		
DNd	3 ¹ / ₈		
DNS	3 ¹ / ₈		
e	5 ³ / ₁₆		
f	8 ¹ / ₄		
H	19 ¹¹ / ₁₆		
h1	10 ⁷ / ₁₆		
h2	9 ¹ / ₄		
L	29 ⁷ / ₁₆		
p	10 ¹ / ₁₆		
x	5 ¹ / ₈		

Weight	
Total weight	117 kg

Connections			
Suction nozzle	Discharge nozzle		
DN 80	DN 80		
PN 16	PN 16		
EN1092-2	EN1092-2		
C	7 ¹ / ₈	C	7 ¹ / ₈
D	7 ⁷ / ₈	D	7 ⁷ / ₈
df	5 ³ / ₁₆	df	5 ³ / ₁₆
DN	3 ¹ / ₈	DN	3 ¹ / ₈
K	6 ⁵ / ₁₆	K	6 ⁵ / ₁₆
L	8 x 19	L	8 x 19

Dimensions and weight without obligation

Project Xylect-20070985
Block LNES 80-200/75/P46PCC4

Created by
Created on 1/19/2025

Last update 1/19/2025