

LNES 80-250/55/P45VCC4

Technical data

Company name
Contact
Phone number
e-mail address

Operating data			
1	Pumpe type	Single head pump	Fluid Water
2	No. of pumps	1	Operating temperature t A °C 4
3	Nominal flow	m ³ /h 0	Max / Min Operating Temperature mech. Seal °C 120 / -25
4	Nominal head	m 0	pH-value at t A 7
5	Static head	m 0	Density at t A kg/m ³ 1000
6	Inlet pressure	kPa 0	Kin. viscosity at t A mm ² /s 1.569
7	Environmental temperature	°C 20	Vapor pressure at t A kPa 100
8	Available system NPSH	m 0	Altitude 0

Pump data			
9	Lubrication	Standard, Grease lubrication [Std]	
10	Execution		
11	Design	In-line	
12	Operating speed	1450 rpm	Stages 1
13	Suction nozzle	DN 80 / PN 16 / EN1092-2	Impeller Ø
14	Discharge nozzle	DN 80 / PN 16 / EN1092-2	
15	Max. casing pressure	kPa	Flow
16	Max. working pressure	kPa 200.4	
17	Impeller type	Radial impeller	
18	Head H(Q=0)	m 20	Head
19	Max. shaft power	kW 5.1	
20	Pump weight	kg	Shaft power kW
21	Total weight	kg 117.0	
			Efficiency %
			NPSH 3% m

Materials			
22		Pump	Shaft Seal
23	Volute Casing	Cast iron	Single mechanical seal, without shaft sleeve
24	Casing Cover	Cast iron	eMG12 - Ø38mm BQ7EGG-WA
25	Impeller	Cast iron / ASTM Class 30	Mechanical seal diameter 38 mm
26	Stub shaft	Stainless steel / AISI 431	1. Rotating ring Carbon graphite resin impregnated
27	Wear ring	Stainless steel / AISI 304	2. Stationary ring SiC, silicon carbide, sintered press.less
28	Impeller Nut	Stainless steel	3. Secondary seal Ethylene propylene rubber (EPDM)
29	Impeller washer	Stainless steel	4. Springs CrNiMo - Steel
30	Impeller key	Stainless steel / AISI 316Ti	5. Others EPDM - WRAS
31	PLUG	Stainless steel / AISI 316Ti	Gaskets of the pump Ethylene propylene rubber (EPDM)
32	GASKET	Asbestos-free synthetic fiber AFM34	
33			
34			
35			
36			
37			
38			
39			
40			
41			

Motor data			
Electrical and dimensional data refer to IE3 motor			
42	Manufacturer	Lowara	
43	Specific design	IE3 3ph Flange Motor - Premium Efficiency	
44	Type	PLM 132 B5 5,5 kW	
45	Rated power	5.5 kW	Rated current 11.5 A
46	Nominal speed	1465 rpm	Rated voltage 400 V
47	Frame size	132	Service factor 1
48	Weight	kg 62.6	Degree of protection IP55

Remarks			
49			
50			
50			
52			

LNES 80-250/55/P45VCC4

Performance curve

Company name
Contact
Phone number
e-mail address

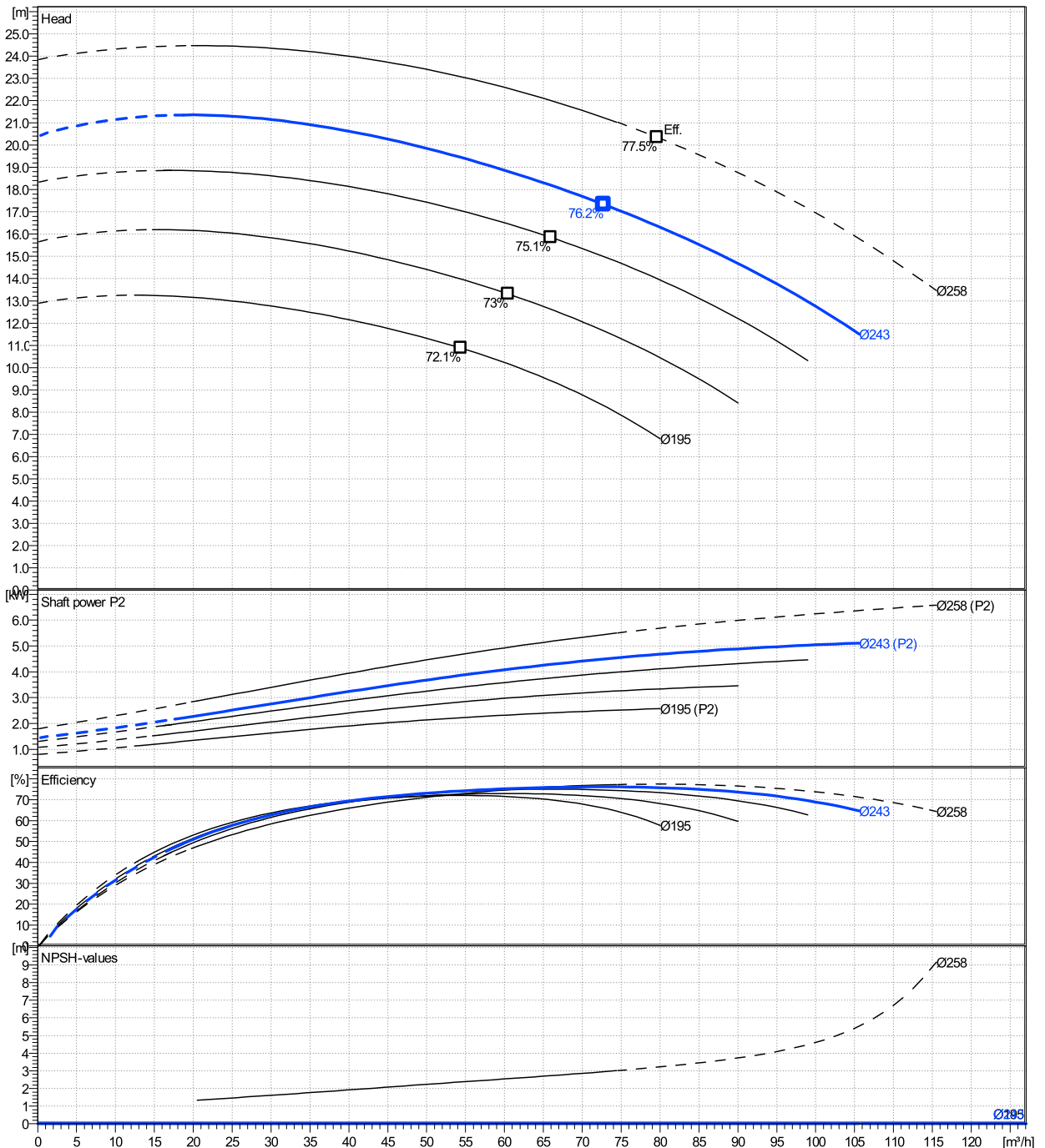
	Ø mm	Pump capacity			Pump head		Shaft power P2			Frequency		Hz	50
		Operating range Min. m³/h	Max. m³/h	η Max. m³/h	H(Q=0) m	η Max. m	P2(Q=0) kW	Max. kW	η Max. kW	Operating speed rpm	Nominal flow m³/h		
actual	243	18.8	106	72.7	20.4	17.3		5.11	4.49			1450	
Min.	0	/	/	54.4	12.9	10.9		/	2.22			0	
Max.	258	/	/	79.6	23.8	20.3		/	5.68			0	

Power datas referred to:

hydr. Performance acceptance acc. To EN ISO 9906 Class Grade 3B

Water [100%] ; 4°C; 1000kg/m³; 1.57mm²/s

MEI: N.A - according to Ecodesign Directive 2009/125/EC and Regulation (EU) No.547/2012



LNES 80-250/55/P45VCC4

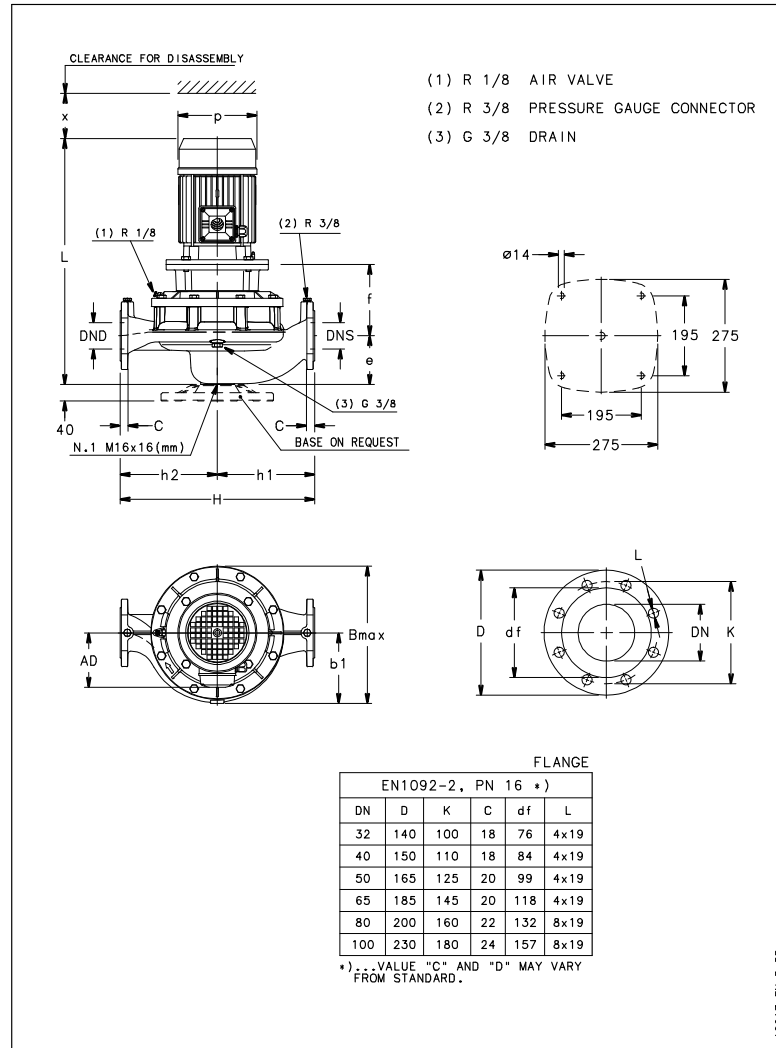
Dimensions

Company name
Contact
Phone number
e-mail address

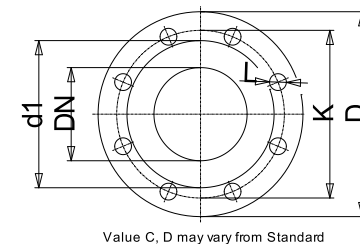
Rigid coupling

PLM 132 B5 5,5 kW

Electrical and dimensional data refer to IE3 motor



A0017-EN_LB_DD



Dimensions [mm]			
AD	191		
b1	185		
Bmax	353		
DNd	80		
DNs	80		
e	132		
f	210		
H	500		
h1	265		
h2	235		
L	747		
p	256		
x	130		

Weight	
Total weight	117 kg

Connections			
Suction nozzle		Discharge nozzle	
DN 80		DN 80	
PN 16		PN 16	
EN1092-2		EN1092-2	
C	22	C	22
D	200	D	200
df	132	df	132
DN	80	DN	80
K	160	K	160
L	8 x 19	L	8 x 19

Dimensions and weight without obligation

Project	Xylect-20128214	Created by		Last update	12/21/2024
Block	LNES 80-250/75/P45VCC4	Created on	12/21/2024		