

NSCE 32-160/40/P25VCS4

Technical data

Company name
Contact
Phone number
e-mail address

Operating data			
1	Pumpe type	Single head pump	Fluid Water, pure
2	No. of pumps	1	Operating temperature t A °C 4
3	Nominal flow	m ³ /h 0	Max / Min Operating Temperature mech. Seal °C 120 / -25
4	Nominal head	m 0	pH-value at t A 7
5	Static head	m 0	Density at t A kg/m ³ 1000
6	Inlet pressure	kPa 0	Kin. viscosity at t A mm ² /s 1.569
7	Environmental temperature	°C 20	Vapor pressure at t A kPa 100
8	Available system NPSH	m 0	Altitude 0

Pump data			
9	Lubrication	Standard, Grease lubrication [Std]	
10	Execution	2 poles motor	
11	Design	Horizontal	
12	Operating speed	2885 rpm	Stages 1
13	Suction nozzle	DN 50 / PN 16 / EN1092-2	Impeller Ø
14	Discharge nozzle	DN 32 / PN 16 / EN1092-2	
15	Max. casing pressure	kPa	Flow
16	Max. working pressure	kPa 333.9	
17	Impeller type	Radial impeller	
18	Head H(Q=0)	m 34	Head
19	Max. shaft power	kW 3.7	
20	Pump weight	kg	Shaft power kW
21	Total weight	kg 42.0	
			Efficiency %
			NPSH 3% m

Materials			
22		Pump	Shaft Seal
23	Volute Casing	Cast Iron	Single mechanical seal, without shaft sleeve
24	Casing Cover	Cast Iron	eMG12 - Ø22mm BQ7EGG-WA
25	Impeller	Fabricated Stainless Steel	Mechanical seal diameter 22 mm
26	Shaft	Stainless steel	1. Rotating ring Carbon graphite resin impregnated
27	Wear ring	Stainless steel	2. Stationary ring SiC, silicon carbide, sintered press.less
28	Impeller lock nut and washer	Stainless steel	3. Secondary seal Ethylene propylene rubber (EPDM)
29	Impeller key	Stainless steel	4. Springs CrNiMo - Steel
30	Fill and drain plugs	Stainless steel	5. Others EPDM - WRAS
31			Gaskets of the pump Ethylene propylene rubber (EPDM)
32			
33			
34			
35			
36			
37			
38			
39			
40			
41			

Motor data			
Electrical and dimensional data refer to IE3 motor			
42	Manufacturer	Lowara	
43	Specific design	IE3 3ph Flange Motor	
44	Type	PLM 112R B14 4 kW	
45	Rated power	4 kW	Rated current 7.62 A
46	Nominal speed	2885 rpm	Rated voltage 400 V
47	Frame size	112R	Service factor 1
48	Weight	kg 37.6	Degree of protection IP55

Remarks			
49			
50			
50			
52			

NSCE 32-160/40/P25VCS4

Performance curve

Company name
Contact
Phone number
e-mail address

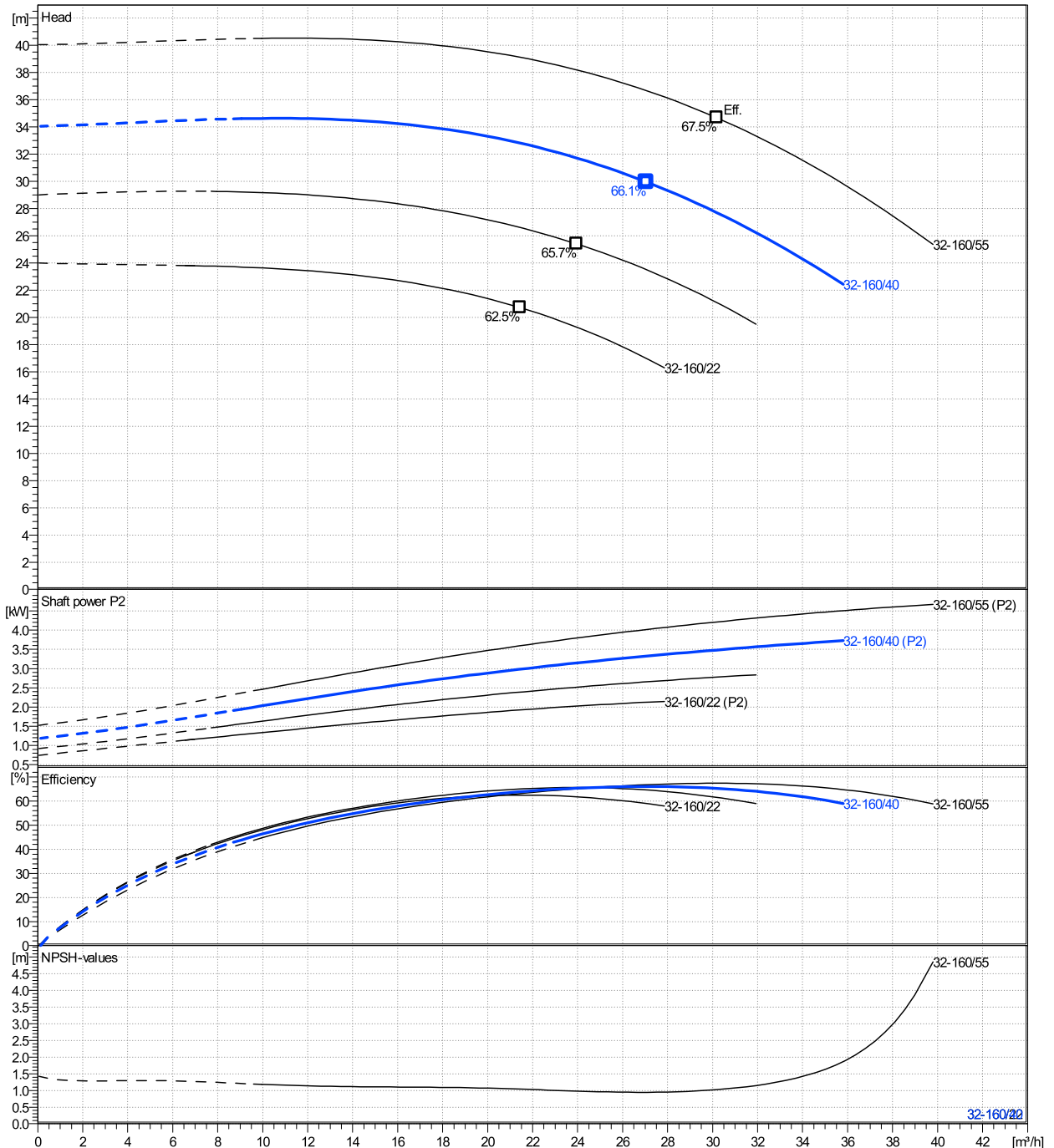
	Ø mm	Pump capacity			Pump head		Shaft power P2			Frequency	Hz	
		Operating range Min. m³/h	Max. m³/h	η Max. m³/h	H(Q=0) m	η Max. m	P2(Q=0) kW	Max. kW	η Max. kW	Operating speed	rpm	
actual	160	9.05	35.8	27	34	30	3.72	3.32		50	2885	
Min.	0	/	/	21.4	24	20.7	/	1.92			0	
Max.	171	/	/	30.2	40	34.7	/	4.21			0	
										Nominal flow	m³/h	0
										Nominal head	m	0
										Inlet pressure	kPa	0
										Static head	m	0

Power datas referred to:

hydr. Performance acceptance acc. To EN ISO 9906 Class Grade 3B

Water, pure [100%] ; 4°C; 1000kg/m³; 1.57mm²/s

MEI: N.A - according to Ecodesign Directive 2009/125/EC and Regulation (EU) No.547/2012



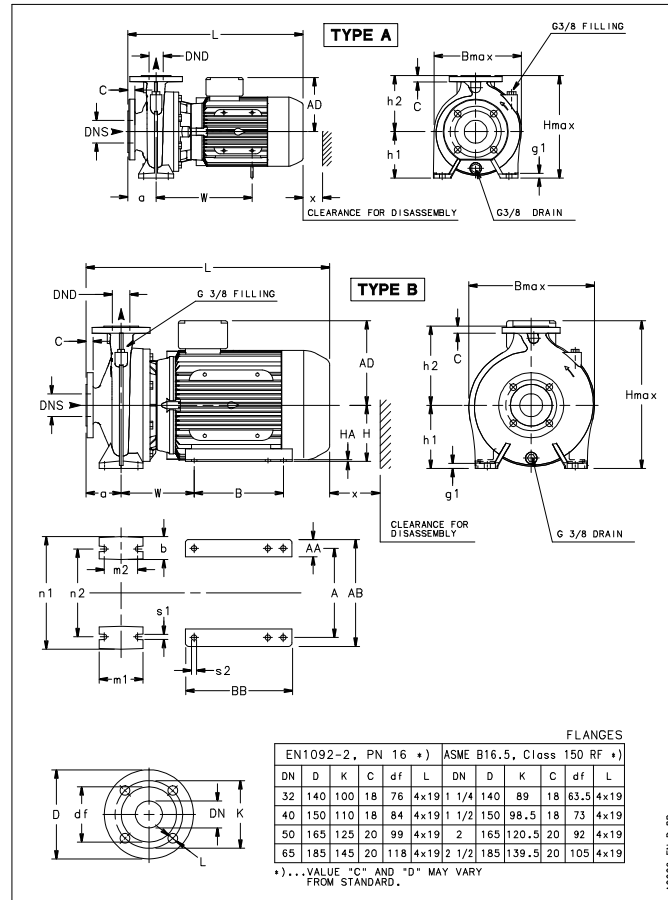
NSCE 32-160/40/P25VCS4

Dimensions

Company name
Contact
Phone number
e-mail address

Extended shaft
2 poles motor
PLM 112R B14 4 kW

Electrical and dimensional data refer to IE3 motor



Dimensions [mm]

a	80
AD	154
B max	248
b	50
DND	32
DNS	50
g1	14
H max	292
h1	132
h2	160
L	499
m1	100
m2	70
n1	240
n2	190
s1	14
Type	A
W	273
x	86

Weight

Total weight	42 kg
---------------------	--------------

Connections

Suction nozzle		Discharge nozzle	
DN 50		DN 32	
PN 16		PN 16	
EN1092-2		EN1092-2	
C	20	C	18
D	165	D	140
df	99	df	76
DN	50	DN	32
K	125	K	100
L	4 x 19	L	4 x 19

Dimensions and weight without obligation

Project	Xylect-20124328
Block	NSCE 32-160/55/P25VCS4

Created by
Created on 10/30/2024

Last update 10/30/2024