

NSCE32-160/92/P26PCS4

Technical data

Company name
Contact
Phone number
e-mail address

Operating data						
1	Pumpe type	Single head pump		Fluid	Water, pure	
2	No. of pumps	1		Operating temperature t A	°F	39.2
3	Nominal flow	US g.p.m.	0	Max / Min Operating Temperature mech. Seal	°F	120 / -25
4	Nominal head	ft	0	pH-value at t A		7
5	Static head	ft	0	Density at t A	lb/ft ³	62.4
6	Inlet pressure	psi	0	Kin. viscosity at t A	ft ² /s	1.689E-5
7	Environmental temperature	°F	68	Vapor pressure at t A	psi	14.5
8	Available system NPSH	ft	0	Altitude		0

Pump data						
9	Lubrication	Standard, Grease lubrication [Std]				
10	Execution	2 poles motor				
11	Design	Horizontal				Impeller Ø
12	Operating speed	3590 rpm	Stages	1		
13	Suction nozzle	DN 50 /	PN 16 /	EN1092-2		
14	Discharge nozzle	DN 32 /	PN 16 /	EN1092-2		Flow
15	Max. casing pressure	psi		Max-	US g.p.m.	
16	Max. working pressure	psi	86.9	Min-	US g.p.m.	54.2
17	Impeller type	Radial impeller				Head
18	Head H(Q=0)	ft	200			
19	Max. shaft power	hp	12.1			
20	Pump weight	kg		Shaft power	hp	
21	Total weight	lb	178.6	Efficiency	%	
				NPSH 3%	ft	

Materials					
Pump			Shaft Seal		
22					
23	Volute Casing	Cast Iron		Single mechanical seal, without shaft sleeve	
24	Casing Cover	Cast Iron		eMG12 - Ø22mm	BQ7EGG-WA
25	Impeller	Fabricated Stainless Steel		Mechanical seal diameter	7/8 inch
26	Shaft	Stainless steel		1. Rotating ring	Carbon graphite resin impregnated
27	Wear ring	Stainless steel		2. Stationary ring	SiC, silicon carbide, sintered press.less
28	Impeller lock nut and washer	Stainless steel		3. Secondary seal	Ethylene propylene rubber (EPDM)
29	Impeller key	Stainless steel		4. Springs	CrNiMo - Steel
30	Fill and drain plugs	Stainless steel		5. Others	EPDM - WRAS
31				Gaskets of the pump	Ethylene propylene rubber (EPDM)
32					
33					
34					
35					
36					
37					
38					
39					
40					
41					

Motor data					
Electrical and dimensional data refer to IE3 motor					
42	Manufacturer	Lowara			
43	Specific design	IE3 3ph Flange Motor			
44	Type	PLM 132 B14 9,2 kW			
45	Rated power	12.337 hp	Rated current	30.6 A	
46	Nominal speed	3590 rpm	Rated voltage	220 V	
47	Frame size	132	Service factor	1	
48	Weight	lb 224.9	Degree of protection	IP55	

Remarks					
49					
50					
50					
52					

NSCE32-160/92/P26PCS4

Performance curve

Company name
Contact
Phone number
e-mail address

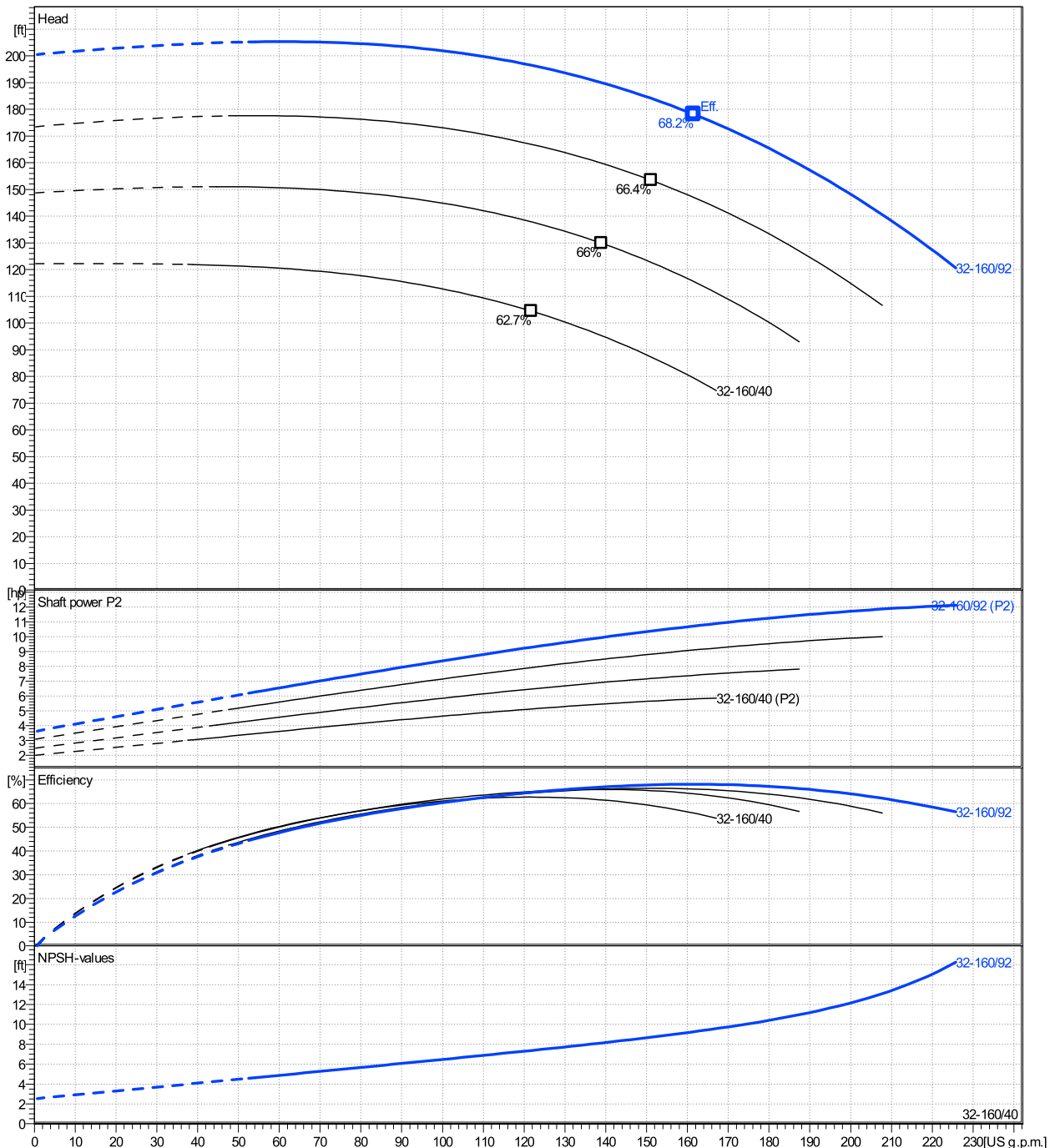
	Ø mm	Pump capacity Operating range η			Pump head η		Shaft power P2 η			Frequency	Hz	
		Min. US g.p.m.	Max. US g.p.m.	Max. US g.p.m.	H(Q=0) ft	Max. ft	P2(Q=0) hp	Max. hp	Max. hp	Operating speed rpm	3590	
actual	6 3/4	54.2	226	162	200	178		12.1	10.7	Nominal flow	US g.p.m.	0
Min.	0	/	/	122	122	104		/	5.13	Nominal head	ft	0
Max.	6 3/4	/	/	162	200	178		/	10.7	Inlet pressure	psi	0
										Static head	ft	0

Power datas referred to:

hydr. Performance acceptance acc. To EN ISO 9906 Class Grade 3B

Water, pure [100%] ; 39.2°F; 62.4lb/ft³; 1.69E-5ft²/s

MEI: N.A - according to Ecodesign Directive 2009/125/EC and Regulation (EU) No.547/2012



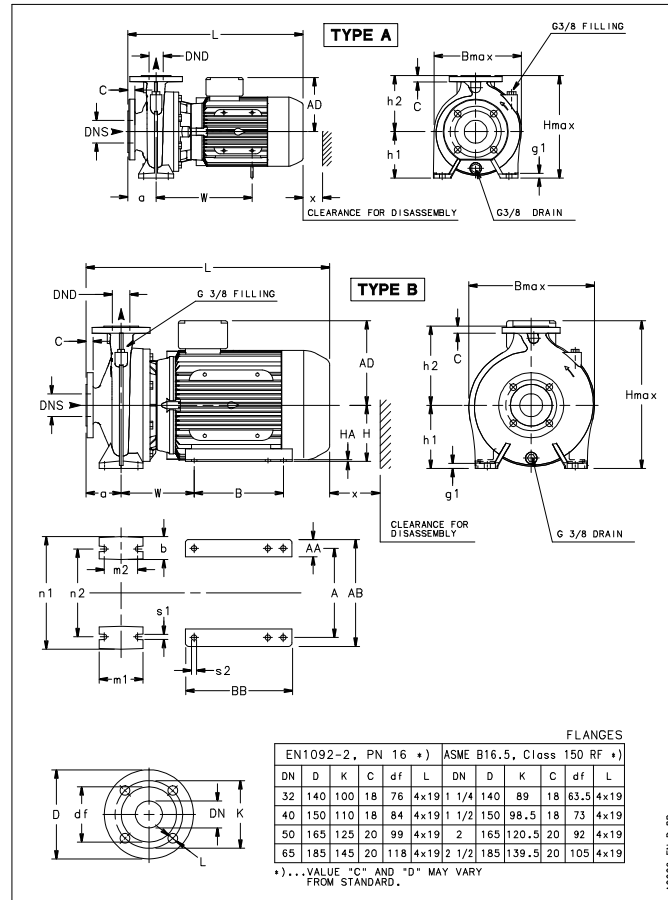
NSCE32-160/92/P26PCS4

Dimensions

Company name
Contact
Phone number
e-mail address

Extended shaft
2 poles motor
PLM 132 B14 9,2 kW

Electrical and dimensional data refer to IE3 motor



AD099-ENL_BD

Note:
Weight and Dimensions of selected Hydrovar are NOT considered.
Please refer to additional datasheet.

Dimensions and weight without obligation

Project	NSCE32-160/92/P26PCS4	Created by		Last update	1/9/2025
Block	NSCE32-160/92/P26PCS4	Created on	1/9/2025		

Dimensions [inch]

a	3 ¹ / ₈		
AD	7 ¹ / ₂		
B max	10 ¹ / ₁₆		
b	1 ¹⁵ / ₁₆		
DND	1 ¹ / ₄		
DNS	1 ¹⁵ / ₁₆		
g1	9 ⁹ / ₁₆		
H max	12 ¹¹ / ₁₆		
h1	5 ³ / ₁₆		
h2	6 ⁵ / ₁₆		
L	23 ¹ / ₁₆		
m1	3 ¹⁵ / ₁₆		
m2	2 ³ / ₄		
n1	9 ⁹ / ₁₆		
n2	7 ¹ / ₂		
s1	9 ⁹ / ₁₆		
Type	A		
W	13 ¹ / ₂		
x	3 ³ / ₈		

Weight

Total weight	81 kg
---------------------	--------------

Connections

Suction nozzle		Discharge nozzle	
DN 50		DN 32	
PN 16		PN 16	
EN1092-2		EN1092-2	
C	1 ³ / ₁₆	C	1 ¹ / ₁₆
D	6 ¹ / ₂	D	5 ¹ / ₂
df	3 ⁷ / ₈	df	3
DN	1 ¹⁵ / ₁₆	DN	1 ¹ / ₄
K	4 ¹⁵ / ₁₆	K	3 ¹⁵ / ₁₆
L	4 x 19	L	4 x 19

