

NSCE 40-125/15/S25RCS4

Technical data

Company name
Contact
Phone number
e-mail address

Operating data						
1	Pumpe type	Single head pump		Fluid	Water, pure	
2	No. of pumps	1		Operating temperature t A	°C	4
3	Nominal flow	m ³ /h	0	Max / Min Operating Temperature mech. Seal	°C	120 / -25
4	Nominal head	m	0	pH-value at t A		7
5	Static head	m	0	Density at t A	kg/m ³	1000
6	Inlet pressure	kPa	0	Kin. viscosity at t A	mm ² /s	1.569
7	Environmental temperature	°C	20	Vapor pressure at t A	kPa	100
8	Available system NPSH	m	0	Altitude		0

Pump data								
9	Lubrication	Standard, Grease lubrication [Std]						
10	Execution	2 poles motor						
11	Design	Horizontal						
12	Operating speed	2870 rpm	Stages	1				
13	Suction nozzle	DN 65	/	PN 16	/ EN1092-2			
14	Discharge nozzle	DN 40	/	PN 16	/ EN1092-2			
15	Max. casing pressure	kPa		Impeller Ø	Max.	mm	135	
16	Max. working pressure	kPa	139.7		designed	mm	105	
17	Impeller type	Radial impeller			Flow	Min.	mm	105
18	Head H(Q=0)	m	14			Nominal	m ³ /h	
19	Max. shaft power	kW	1.4		Head	Max-	m ³ /h	38.6
20	Pump weight	kg				Min-	m ³ /h	9.5
21	Total weight	kg	31.0		Shaft power	Nominal	m	
						at Qmax	m	9
					Efficiency	at Qmin	m	14.4
							%	
					NPSH 3%	m		

Materials						
22		Pump			Shaft Seal	
23	Volute Casing	Cast Iron			Single mechanical seal, without shaft sleeve	
24	Casing Cover	Cast Iron			eMG12 - Ø22mm	BQ7EGG-WA
25	Impeller	Fabricated Stainless Steel			Mechanical seal diameter	22 mm
26	Shaft	Stainless steel			1. Rotating ring	Carbon graphite resin impregnated
27	Wear ring	Stainless steel			2. Stationary ring	SiC, silicon carbide, sintered press.less
28	Impeller lock nut and washer	Stainless steel			3. Secondary seal	Ethylene propylene rubber (EPDM)
29	Impeller key	Stainless steel			4. Springs	CrNiMo - Steel
30	Fill and drain plugs	Stainless steel			5. Others	EPDM - WRAS
31					Gaskets of the pump	Ethylene propylene rubber (EPDM)
32						
33						
34						
35						
36						
37						
38						
39						
40						
41						

Motor data					
42	Manufacturer	Lowara			
43	Specific design	IE3 3ph Flange Motor			
44	Type	SM 90R B14 1,5 kW			
45	Rated power	1.5 kW	Rated current	3.17 A	
46	Nominal speed	2870 rpm	Rated voltage	400 V	
47	Frame size	90R	Service factor	1	
48	Weight	kg	13.4	Degree of protection	IP55

Remarks					
49					
50					
50					
52					

NSCE 40-125/15/S25RCS4

Performance curve

Company name
Contact
Phone number
e-mail address

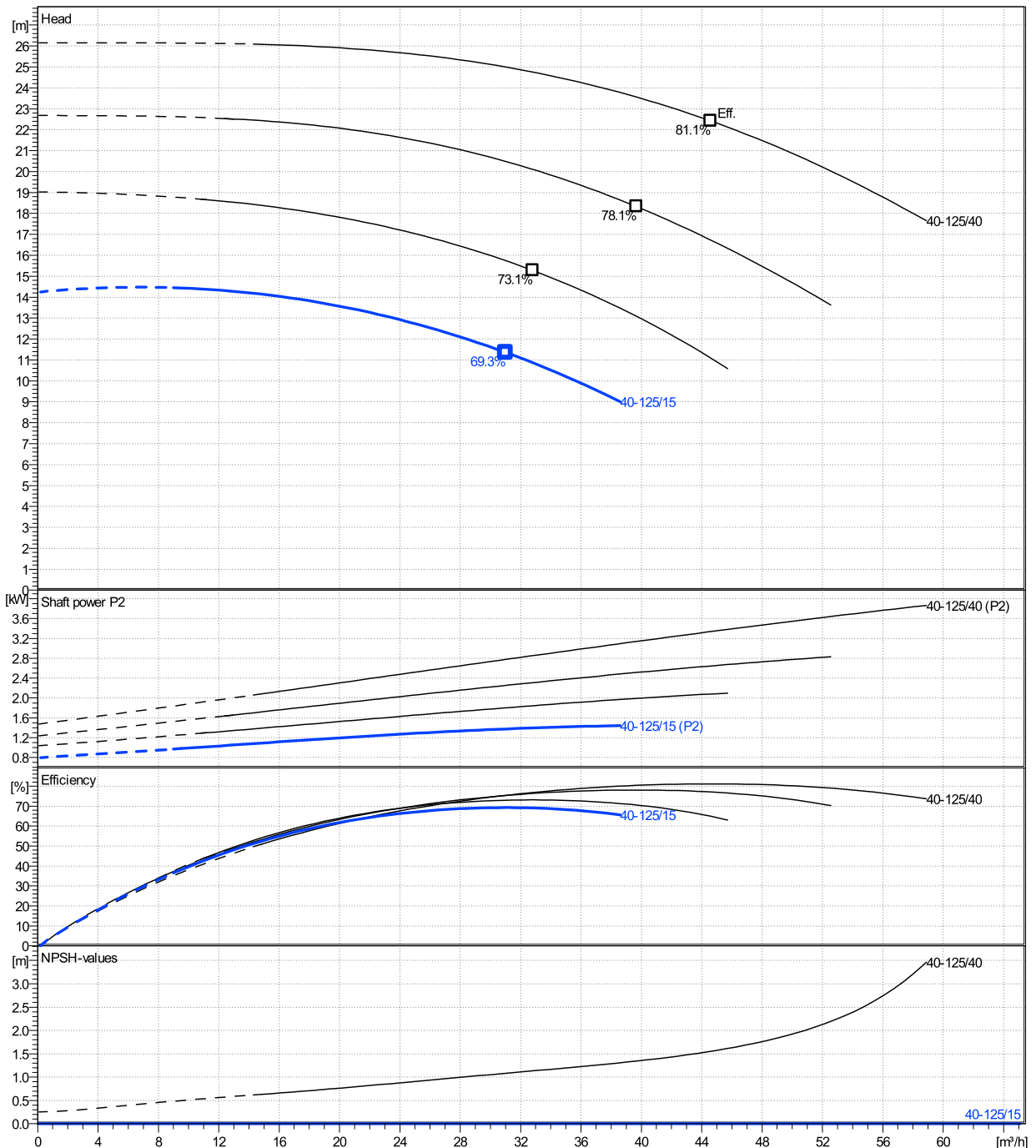
	Ø mm	Pump capacity			Pump head		Shaft power P2			Frequency	Hz	50
		Operating range Min. m³/h	Max. m³/h	η Max. m³/h	H(Q=0) m	η Max. m	P2(Q=0) kW	Max. kW	η Max. kW	Operating speed	rpm	2870
actual	105	9.5	38.6	31	14.2	11.4	1.44	1.38	Nominal flow	m³/h	0	
Min.	0	/	/	31	14.2	11.4	/	1.38	Nominal head	m	0	
Max.	135	/	/	44.6	26.2	22.4	/	3.34	Inlet pressure	kPa	0	
									Static head	m	0	

Power datas referred to:

hydr. Performance acceptance acc. To EN ISO 9906 Class Grade 3B

Water, pure [100%] ; 4°C; 1000kg/m³; 1.57mm²/s

MEI: N.A - according to Ecodesign Directive 2009/125/EC and Regulation (EU) No.547/2012

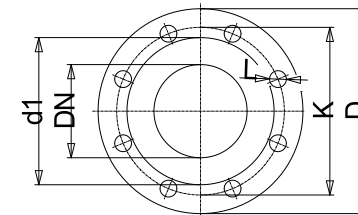
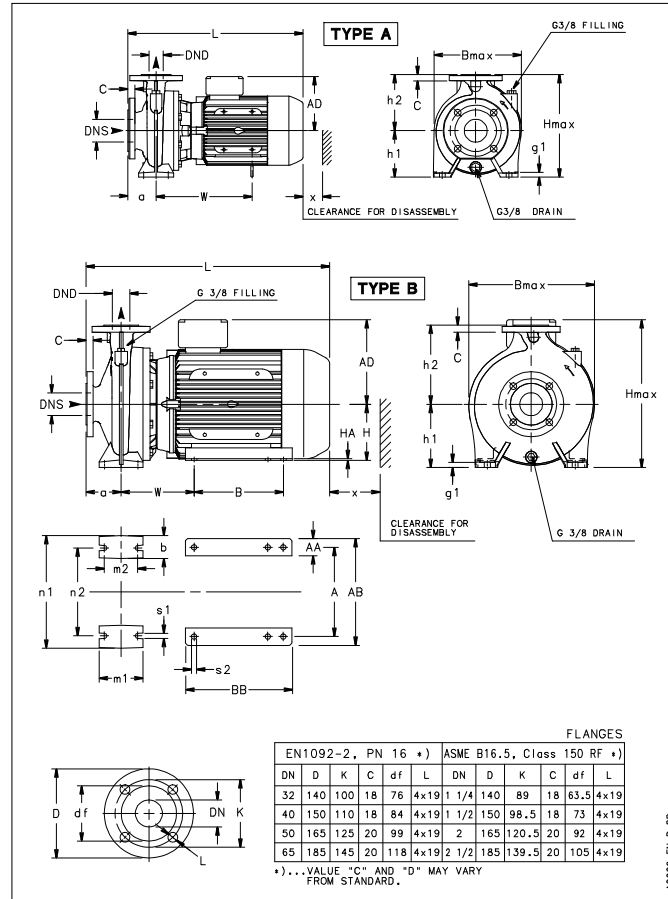


NSCE 40-125/15/S25RCS4

Dimensions

Company name
Contact
Phone number
e-mail address

Extended shaft
2 poles motor
SM 90R B14 1,5 kW



Value C, D may vary from Standard

Dimensions [mm]

a	80
AD	129
B max	237
b	50
DND	40
DNS	65
g1	14
H max	252
h1	112
h2	140
L	443
m1	100
m2	70
n1	210
n2	160
s1	14
Type	A
W	235
x	96

Weight

Total weight	31 kg
---------------------	--------------

Connections

Suction nozzle		Discharge nozzle	
DN 65		DN 40	
PN 16		PN 16	
EN1092-2		EN1092-2	
C	20	C	18
D	185	D	150
df	118	df	84
DN	65	DN	40
K	145	K	110
L	4 x 19	L	4 x 19

Dimensions and weight without obligation

Project Xylect-20123544
Block NSCE 40-125/40/P25VCS4

Created by
Created on 10/30/2024

Last update 10/30/2024