

# NSCE 40-160/30/P25RCS4

## Technical data

Company name  
Contact  
Phone number  
e-mail address

Operating data						
1	Pumpe type	Single head pump		Fluid	Water, pure	
2	No. of pumps	1		Operating temperature t A	°C	4
3	Nominal flow	m <sup>3</sup> /h	0	Max / Min Operating Temperature mech. Seal	°C	120 / -25
4	Nominal head	m	0	pH-value at t A		7
5	Static head	m	0	Density at t A	kg/m <sup>3</sup>	1000
6	Inlet pressure	kPa	0	Kin. viscosity at t A	mm <sup>2</sup> /s	1.569
7	Environmental temperature	°C	20	Vapor pressure at t A	kPa	100
8	Available system NPSH	m	0	Altitude		0

Pump data							
9	Lubrication	Standard, Grease lubrication [Std]					
10	Execution	2 poles motor					
11	Design	Horizontal				Impeller Ø	
12	Operating speed	2865 rpm	Stages	1			
13	Suction nozzle	DN 65	/	PN 16	/		EN1092-2
14	Discharge nozzle	DN 40	/	PN 16	/	EN1092-2	
15	Max. casing pressure	kPa		Flow	Max.	m <sup>3</sup> /h	
16	Max. working pressure	kPa	208.7		Min.	m <sup>3</sup> /h	9.8
17	Impeller type	Radial impeller			Head	Nominal	m
18	Head H(Q=0)	m	21			at Qmax	m
19	Max. shaft power	kW	2.8			at Qmin	m
20	Pump weight	kg		Shaft power	kW		
21	Total weight	kg	41.0		Efficiency	%	
				NPSH 3%	m		

Materials						
22		Pump			Shaft Seal	
23	Volute Casing	Cast Iron			Single mechanical seal, without shaft sleeve	
24	Casing Cover	Cast Iron			eMG12 - Ø22mm	BQ7EGG-WA
25	Impeller	Fabricated Stainless Steel			Mechanical seal diameter	22 mm
26	Shaft	Stainless steel			1. Rotating ring	Carbon graphite resin impregnated
27	Wear ring	Stainless steel			2. Stationary ring	SiC, silicon carbide, sintered press.less
28	Impeller lock nut and washer	Stainless steel			3. Secondary seal	Ethylene propylene rubber (EPDM)
29	Impeller key	Stainless steel			4. Springs	CrNiMo - Steel
30	Fill and drain plugs	Stainless steel			5. Others	EPDM - WRAS
31					Gaskets of the pump	Ethylene propylene rubber (EPDM)
32						
33						
34						
35						
36						
37						
38						
39						
40						
41						

Motor data					
Electrical and dimensional data refer to IE3 motor					
42	Manufacturer	Lowara			
43	Specific design	IE3 3ph Flange Motor			
44	Type	PLM 90 B14 3 kW			
45	Rated power	3 kW	Rated current	6.33 A	
46	Nominal speed	2865 rpm	Rated voltage	400 V	
47	Frame size	90	Service factor	1	
48	Weight	kg	21.0	Degree of protection	IP55

Remarks					
49					
50					
50					
52					

# NSCE 40-160/30/P25RCS4

## Performance curve

Company name  
Contact  
Phone number  
e-mail address

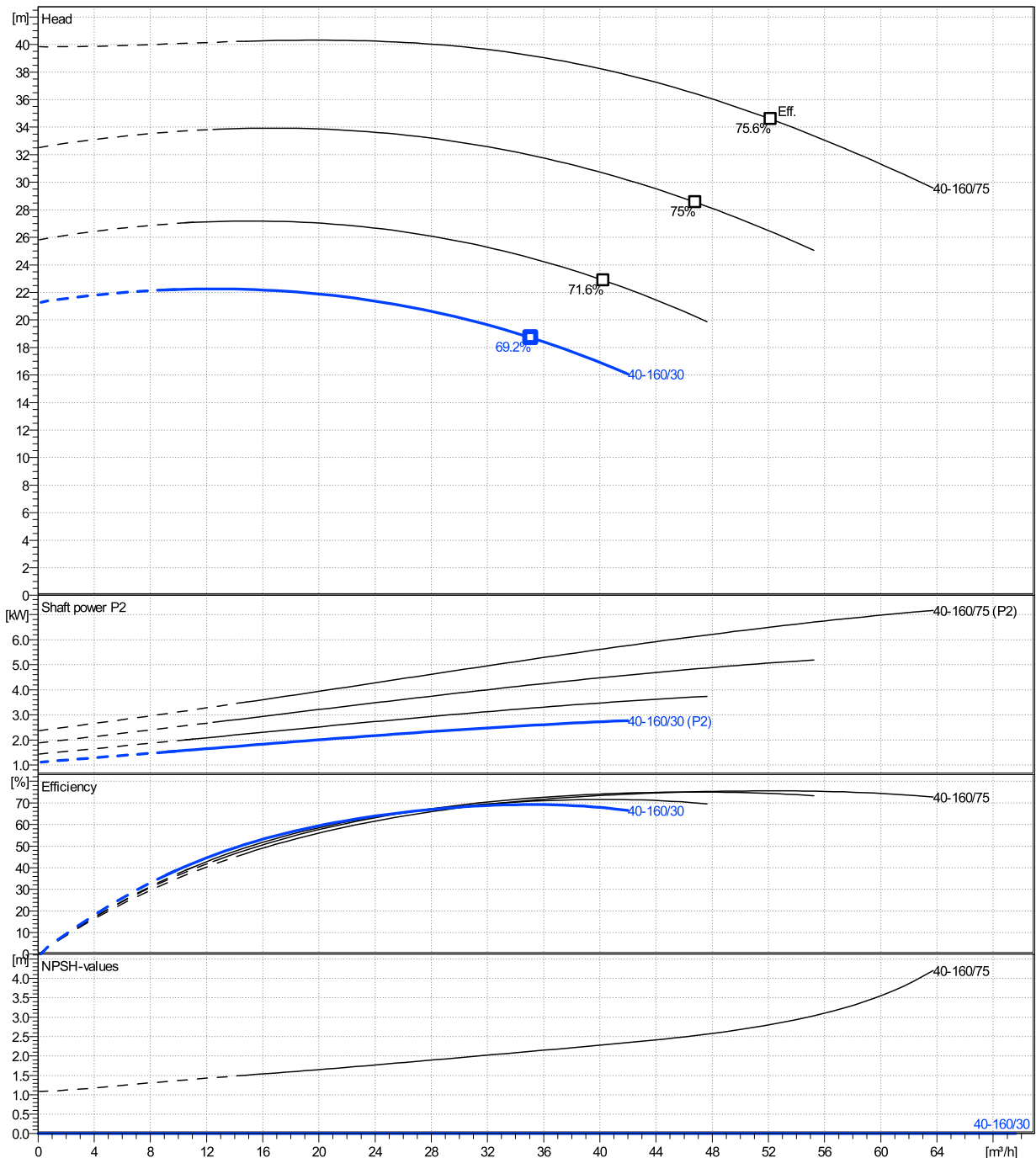
	Ø mm	Pump capacity			Pump head		Shaft power P2			Frequency	Hz	50
		Operating range Min. m³/h	Max. m³/h	η Max. m³/h	H(Q=0) m	η Max. m	P2(Q=0) kW	Max. kW	η Max. kW	Operating speed	rpm	2865
actual	127	9.78	42	35.1	21.3	18.7	2.77	2.58	Nominal flow	m³/h	0	
Min.	0	/	/	35.1	21.3	18.7	/	2.58	Nominal head	m	0	
Max.	165	/	/	52.2	39.8	34.6	/	6.5	Inlet pressure	kPa	0	
									Static head	m	0	

**Power datas referred to:**

**hydr. Performance acceptance acc. To EN ISO 9906 Class Grade 3B**

Water, pure [100%] ; 4°C; 1000kg/m³; 1.57mm²/s

**MEI: N.A - according to Ecodesign Directive 2009/125/EC and Regulation (EU) No.547/2012**



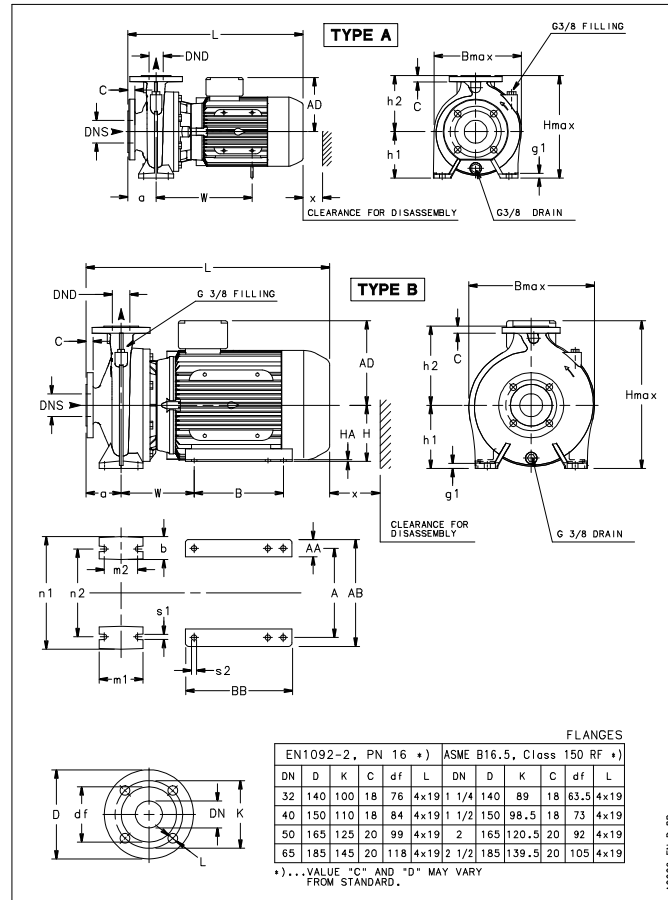
# NSCE 40-160/30/P25RCS4

# Dimensions

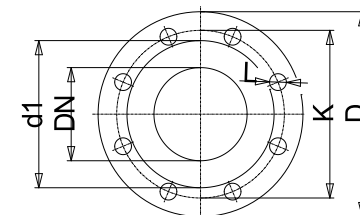
Company name  
Contact  
Phone number  
e-mail address

Extended shaft  
2 poles motor  
PLM 90 B14 3 kW

Electrical and dimensional data refer to IE3 motor



A0008-EN\_LB\_DD



Value C, D may vary from Standard

Dimensions		[ mm ]	
a	80		
AD	134		
B max	250		
b	50		
DND	40		
DNS	65		
g1	14		
H max	292		
h1	132		
h2	160		
L	478		
m1	100		
m2	70		
n1	240		
n2	190		
s1	14		
Type	A		
W	245		
x	92		

Weight	
Total weight	41 kg

Connections			
<b>Suction nozzle</b>		<b>Discharge nozzle</b>	
<b>DN 65</b>		<b>DN 40</b>	
<b>PN 16</b>		<b>PN 16</b>	
<b>EN1092-2</b>		<b>EN1092-2</b>	
C	20	C	18
D	185	D	150
df	118	df	84
DN	65	DN	40
K	145	K	110
L	4 x 19	L	4 x 19

## Dimensions and weight without obligation

Project	Xylect-20123544
Block	NSCE 40-160/75/P25VCS4

Created by  
Created on 10/30/2024

Last update 10/30/2024