

NSCE 40-160/75/P25VCS4

Technical data

Company name
Contact
Phone number
e-mail address

Operating data			
1	Pumpe type	Single head pump	Fluid Water, pure
2	No. of pumps	1	Operating temperature t A °C 4
3	Nominal flow	m³/h 0	Max / Min Operating Temperature mech. Seal °C 120 / -25
4	Nominal head	m 0	pH-value at t A 7
5	Static head	m 0	Density at t A kg/m³ 1000
6	Inlet pressure	kPa 0	Kin. viscosity at t A mm²/s 1.569
7	Environmental temperature	°C 20	Vapor pressure at t A kPa 100
8	Available system NPSH	m 0	Altitude 0

Pump data			
9	Lubrication	Standard, Grease lubrication [Std]	
10	Execution	2 poles motor	
11	Design	Horizontal	
12	Operating speed	2920 rpm	Stages 1
13	Suction nozzle	DN 65 / PN 16 / EN1092-2	Impeller Ø
14	Discharge nozzle	DN 40 / PN 16 / EN1092-2	
15	Max. casing pressure	kPa	Flow
16	Max. working pressure	kPa 406	
17	Impeller type	Radial impeller	
18	Head H(Q=0)	m 41	Head
19	Max. shaft power	kW 7.6	
20	Pump weight	kg	Shaft power kW
21	Total weight	kg 71.0	
			Efficiency %
			NPSH 3% m

Materials			
22		Pump	Shaft Seal
23	Volute Casing	Cast Iron	Single mechanical seal, without shaft sleeve
24	Casing Cover	Cast Iron	eMG12 - Ø22mm BQ7EGG-WA
25	Impeller	Fabricated Stainless Steel	Mechanical seal diameter 22 mm
26	Shaft	Stainless steel	1. Rotating ring Carbon graphite resin impregnated
27	Wear ring	Stainless steel	2. Stationary ring SiC, silicon carbide, sintered press. less
28	Impeller lock nut and washer	Stainless steel	3. Secondary seal Ethylene propylene rubber (EPDM)
29	Impeller key	Stainless steel	4. Springs CrNiMo - Steel
30	Fill and drain plugs	Stainless steel	5. Others EPDM - WRAS
31			Gaskets of the pump Ethylene propylene rubber (EPDM)
32			
33			
34			
35			
36			
37			
38			
39			
40			
41			

Motor data			
Electrical and dimensional data refer to IE3 motor			
42	Manufacturer	Lowara	
43	Specific design	IE3 3ph Flange Motor	
44	Type	PLM 132 B14 7,5 kW	
45	Rated power	7.5 kW	Rated current 14.1 A
46	Nominal speed	2920 rpm	Rated voltage 400 V
47	Frame size	132	Service factor 1
48	Weight	kg 55.8	Degree of protection IP55

Remarks	
49	
50	
50	
52	

NSCE 40-160/75/P25VCS4

Performance curve

Company name
Contact
Phone number
e-mail address

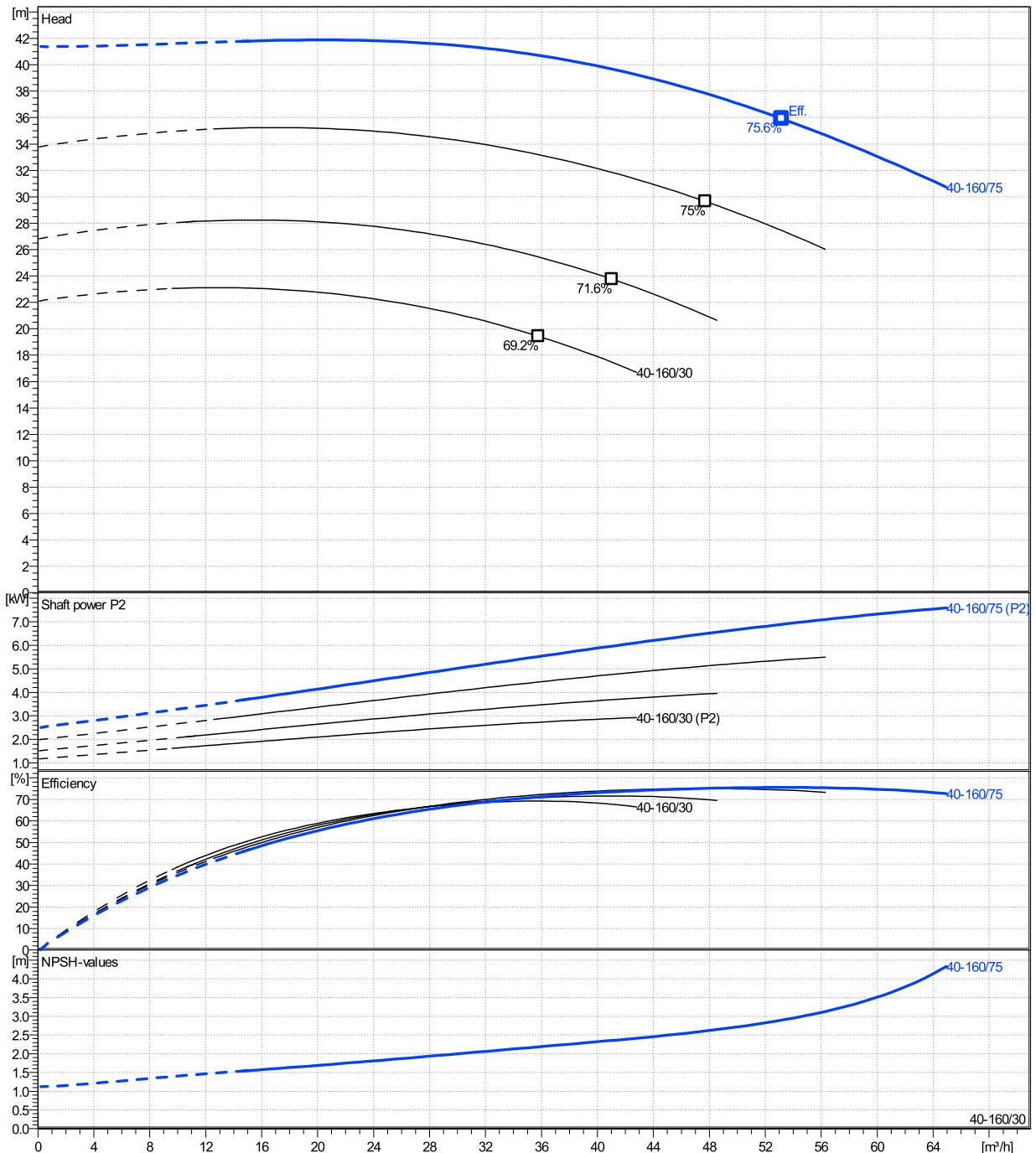
	Ø mm	Pump capacity			Pump head		Shaft power P2			Frequency	Hz	50
		Operating range Min. m³/h	Max. m³/h	η Max. m³/h	H(Q=0) m	η Max. m	P2(Q=0) kW	Max. kW	η Max. kW	Operating speed	rpm	2920
actual	165	15.1	64.9	53.2	41.4	35.9		7.58	6.89	Nominal flow	m³/h	0
Min.	0	/	/	35.8	22.1	19.4		/	2.73	Nominal head	m	0
Max.	165	/	/	53.2	41.4	35.9		/	6.89	Inlet pressure	kPa	0
										Static head	m	0

Power datas referred to:

hydr. Performance acceptance acc. To EN ISO 9906 Class Grade 3B

Water, pure [100%] ; 4°C; 1000kg/m³; 1.57mm²/s

MEI: N.A - according to Ecodesign Directive 2009/125/EC and Regulation (EU) No.547/2012



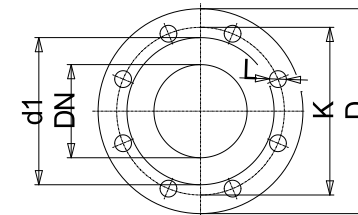
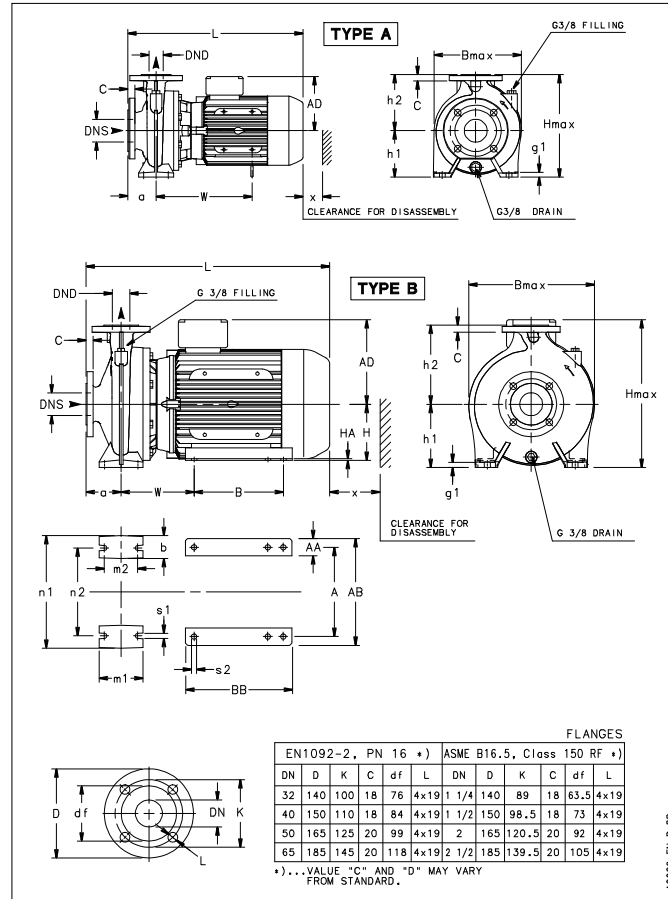
NSCE 40-160/75/P25VCS4

Dimensions

Company name
Contact
Phone number
e-mail address

Extended shaft
2 poles motor
PLM 132 B14 7,5 kW

Electrical and dimensional data refer to IE3 motor



Value C, D may vary from Standard

Dimensions		[mm]
a	80	
AD	191	
B max	259	
b	50	
DND	40	
DNS	65	
g1	14	
H max	323	
h1	132	
h2	160	
L	547	
m1	100	
m2	70	
n1	240	
n2	190	
s1	14	
Type	A	
W	305	
x	92	

Weight	
Total weight	71 kg

Connections			
Suction nozzle		Discharge nozzle	
DN 65		DN 40	
PN 16		PN 16	
EN1092-2		EN1092-2	
C	20	C	18
D	185	D	150
df	118	df	84
DN	65	DN	40
K	145	K	110
L	4 x 19	L	4 x 19

Dimensions and weight without obligation

Project	Xylect-20123544	Created by		Last update	10/30/2024
Block	NSCE 40-160/75/P25VCS4	Created on	10/30/2024		