

# NSCE40-250/220/P26PCS4

## Technical data

Company name  
Contact  
Phone number  
e-mail address

Operating data			
1	Pumpe type	Single head pump	Fluid Water, pure
2	No. of pumps	1	Operating temperature t A °F 39.2
3	Nominal flow	US g.p.m. 0	Max / Min Operating Temperature mech. Seal °F 120 / -25
4	Nominal head	ft 0	pH-value at t A 7
5	Static head	ft 0	Density at t A lb/ft <sup>3</sup> 62.4
6	Inlet pressure	psi 0	Kin. viscosity at t A ft <sup>2</sup> /s 1.689E-5
7	Environmental temperature	°F 68	Vapor pressure at t A psi 14.5
8	Available system NPSH	ft 0	Altitude 0

Pump data			
9	Lubrication	Standard, Grease lubrication [Std]	
10	Execution	2 poles motor	
11	Design	Horizontal	
12	Operating speed	3555 rpm	Stages 1
13	Suction nozzle	DN 65 / PN 16 / EN1092-2	Impeller Ø
14	Discharge nozzle	DN 40 / PN 16 / EN1092-2	
15	Max. casing pressure	psi	Flow
16	Max. working pressure	psi 147.9	
17	Impeller type	Radial impeller	
18	Head H(Q=0)	ft 340	Head
19	Max. shaft power	hp 30.8	
20	Pump weight	kg	Shaft power
21	Total weight	lb 366.0	
			Efficiency
			NPSH 3%

Materials			
22		<b>Pump</b>	<b>Shaft Seal</b>
23	Volute Casing	Cast Iron	Single mechanical seal, without shaft sleeve
24	Casing Cover	Cast Iron	eMG12 - Ø28mm BQ7EGG-WA
25	Impeller	Fabricated Stainless Steel	Mechanical seal diameter 1 1/8 inch
26	Shaft	Stainless steel	1. Rotating ring Carbon graphite resin impregnated
27	Wear ring	Stainless steel	2. Stationary ring SiC, silicon carbide, sintered press.less
28	Impeller lock nut and washer	Stainless steel	3. Secondary seal Ethylene propylene rubber (EPDM)
29	Impeller key	Stainless steel	4. Springs CrNiMo - Steel
30	Fill and drain plugs	Stainless steel	5. Others EPDM - WRAS
31			Gaskets of the pump Ethylene propylene rubber (EPDM)
32			
33			
34			
35			
36			
37			
38			
39			
40			
41			

Motor data			
Electrical and dimensional data refer to IE3 motor			
42	Manufacturer	Lowara	
43	Specific design	IE3 3ph Flange Motor	
44	Type	PLM 160 B34 22 kW	
45	Rated power	29.502 hp	Rated current 72.9 A
46	Nominal speed	3555 rpm	Rated voltage 220 V
47	Frame size	160	Service factor 1
48	Weight	lb 257.9	Degree of protection IP55

Remarks	
49	
50	
50	
52	

# NSCE40-250/220/P26PCS4

## Performance curve

Company name  
Contact  
Phone number  
e-mail address

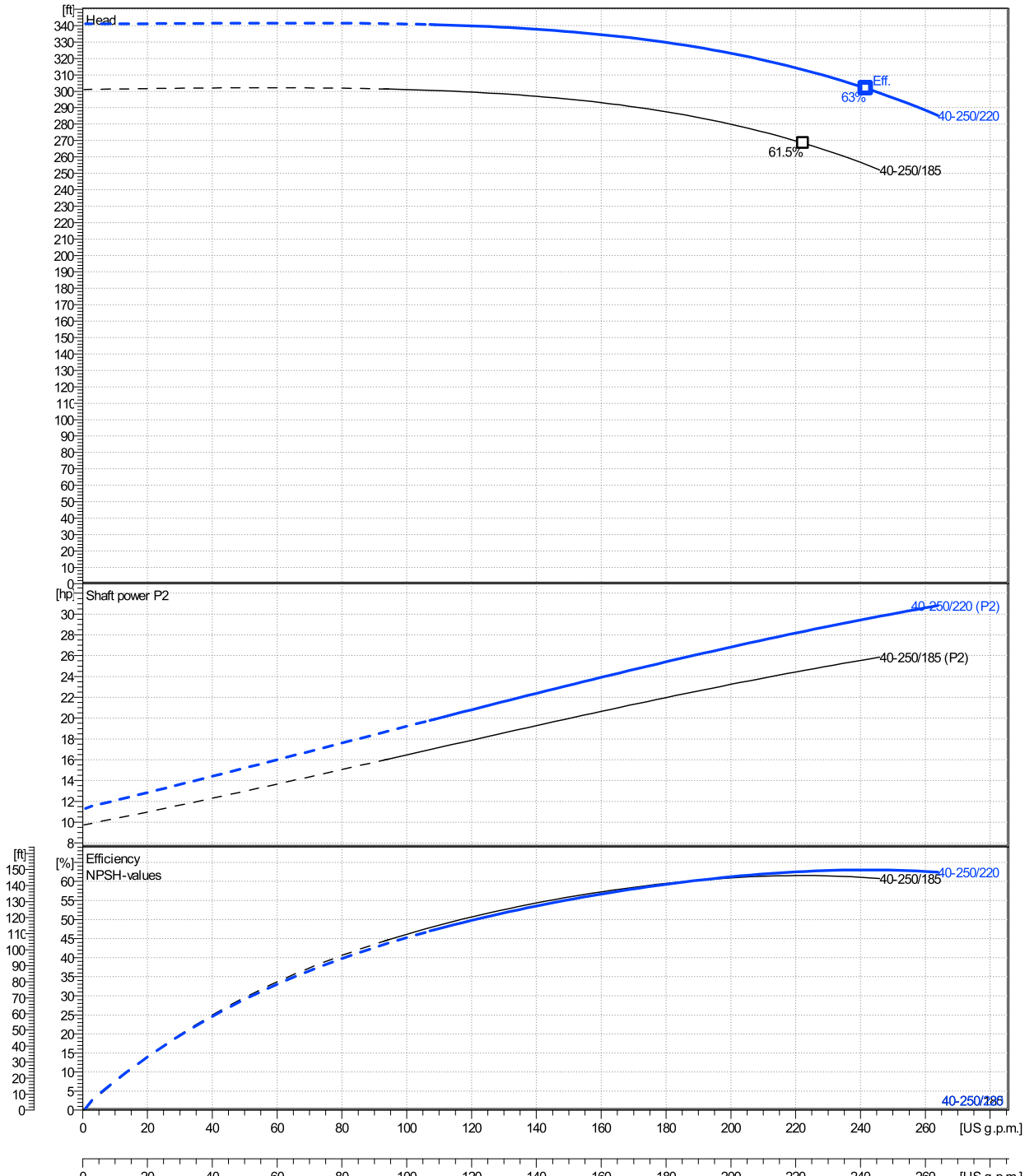
	Ø mm	Pump capacity Operating range η			Pump head H(Q=0) η		Shaft power P2 P2(Q=0) η			Frequency	Hz	
		Min. US g.p.m.	Max. US g.p.m.	Max. US g.p.m.	H(Q=0) ft	η ft	P2(Q=0) hp	Max. hp	η hp	Operating speed	rpm	
actual	8 7/8	109	264	242	341	302		30.8	29.5	Nominal flow	US g.p.m.	0
Min.	0	/	/	222	301	268		/	24.6	Nominal head	ft	0
Max.	8 7/8	/	/	242	341	302		/	29.5	Inlet pressure	psi	0
										Static head	ft	0

**Power datas referred to:**

hydr. Performance acceptance acc. To EN ISO 9906 Class Grade 3B

Water, pure [100%] ; 39.2°F; 62.4lb/ft³; 1.69E-5ft²/s

MEI: N.A - according to Ecodesign Directive 2009/125/EC and Regulation (EU) No.547/2012



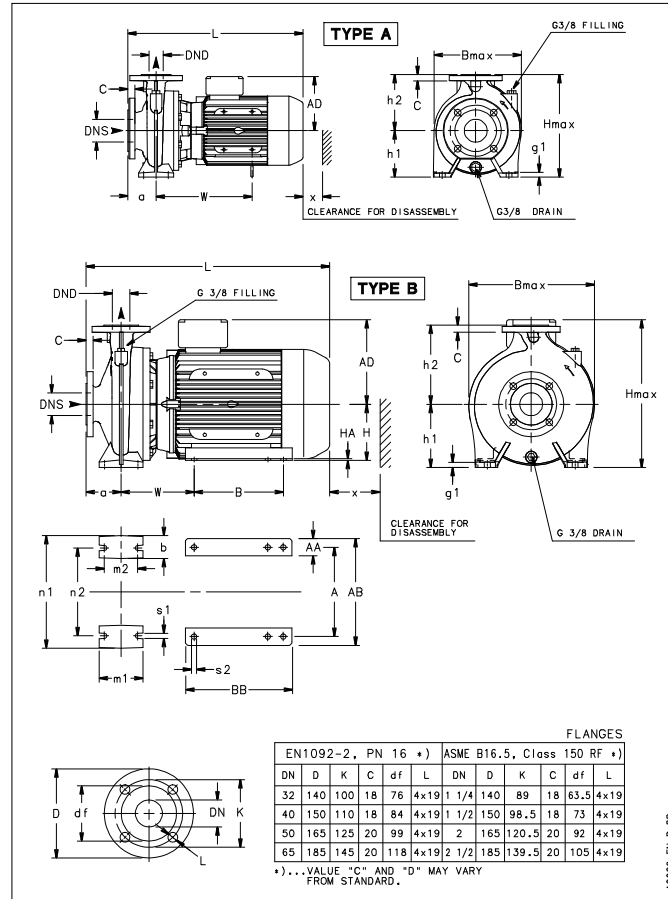
**NSCE40-250/220/P26PCS4**

**Dimensions**

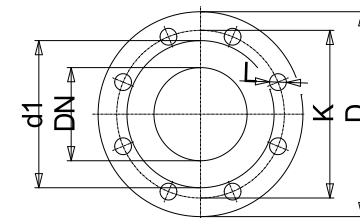
Company name  
Contact  
Phone number  
e-mail address

Extended shaft  
2 poles motor  
PLM 160 B34 22 kW

Electrical and dimensional data refer to IE3 motor



A0009-EN\_LB\_DD



Value C, D may vary from Standard

**Dimensions [ inch ]**

Dimensions	Value	Type	Value
A (Motor)	10	Type	B
a	3 <sup>15</sup> / <sub>16</sub>	W	8 <sup>3</sup> / <sub>16</sub>
AA	1 <sup>15</sup> / <sub>16</sub>	x	4 <sup>1</sup> / <sub>8</sub>
AB	11 <sup>15</sup> / <sub>16</sub>		
AD	9 <sup>7</sup> / <sub>16</sub>		
B (Motor)	10		
B max	13 <sup>9</sup> / <sub>16</sub>		
b	2 <sup>9</sup> / <sub>16</sub>		
BB	11 <sup>15</sup> / <sub>16</sub>		
DND	1 <sup>9</sup> / <sub>16</sub>		
DNS	2 <sup>9</sup> / <sub>16</sub>		
g1	5 <sup>5</sup> / <sub>8</sub>		
H (Motor)	6 <sup>5</sup> / <sub>16</sub>		
H max	16 <sup>9</sup> / <sub>16</sub>		
h1	7 <sup>1</sup> / <sub>16</sub>		
h2	8 <sup>7</sup> / <sub>8</sub>		
HA	3 <sup>1</sup> / <sub>16</sub>		
L	27 <sup>5</sup> / <sub>16</sub>		
m1	4 <sup>15</sup> / <sub>16</sub>		
m2	3 <sup>3</sup> / <sub>4</sub>		
n1	12 <sup>9</sup> / <sub>8</sub>		
n2	9 <sup>13</sup> / <sub>16</sub>		
s1	9 <sup>9</sup> / <sub>16</sub>		
s2	9 <sup>9</sup> / <sub>16</sub>		

**Weight**

<b>Total weight</b>	<b>166 kg</b>
---------------------	---------------

**Connections**

Suction nozzle		Discharge nozzle	
DN 65		DN 40	
PN 16		PN 16	
EN1092-2		EN1092-2	
C	1 <sup>3</sup> / <sub>16</sub>	C	1 <sup>11</sup> / <sub>16</sub>
D	7 <sup>5</sup> / <sub>16</sub>	D	5 <sup>7</sup> / <sub>8</sub>
df	4 <sup>5</sup> / <sub>8</sub>	df	3 <sup>5</sup> / <sub>16</sub>
DN	2 <sup>9</sup> / <sub>16</sub>	DN	1 <sup>9</sup> / <sub>16</sub>
K	5 <sup>11</sup> / <sub>16</sub>	K	4 <sup>5</sup> / <sub>16</sub>
L	4 x 19	L	4 x 19

Note:  
Weight and Dimensions of selected Hydrovar are NOT considered.  
Please refer to additional datasheet.

**Dimensions and weight without obligation**

<b>Project</b>	<b>Block</b>	<b>Created by</b>	<b>Created on</b>	<b>Last update</b>
	NSCE40-250/220/P26PCS4		1/9/2025	1/9/2025