

# NSCE 50-160/110/P25VCS4

## Technical data

Company name  
Contact  
Phone number  
e-mail address

Operating data				
1	Pumpe type	Single head pump	Fluid	Water, pure
2	No. of pumps	1	Operating temperature t A	°C 4
3	Nominal flow	m³/h 0	Max / Min Operating Temperature mech. Seal	°C 120 / -25
4	Nominal head	m 0	pH-value at t A	7
5	Static head	m 0	Density at t A	kg/m³ 1000
6	Inlet pressure	kPa 0	Kin. viscosity at t A	mm²/s 1.569
7	Environmental temperature	°C 20	Vapor pressure at t A	kPa 100
8	Available system NPSH	m 0	Altitude	0

Pump data				
9	Lubrication	Standard, Grease lubrication [Std]		
10	Execution	2 poles motor		
11	Design	Horizontal		
12	Operating speed	2910 rpm	Stages	1
13	Suction nozzle	DN 65 /	PN 16 /	EN1092-2
14	Discharge nozzle	DN 50 /	PN 16 /	EN1092-2
15	Max. casing pressure	kPa		
16	Max. working pressure	kPa	429.3	
17	Impeller type	Radial impeller		
18	Head H(Q=0)	m	44	
19	Max. shaft power	kW	10.9	
20	Pump weight	kg		
21	Total weight	kg	87.0	

		Impeller Ø		Flow		Head		Shaft power		Efficiency	
	Max.	mm	176								
	designed	mm	176								
	Min.	mm	144								
	Nominal	m³/h									
	Max-	m³/h	115.4								
	Min-	m³/h	26.1								
	Nominal	m									
	at Qmax	m	21								
	at Qmin	m	42.7								
		kW									
		%									
		m									

Materials				
22		Pump		Shaft Seal
23	Volute Casing	Cast Iron		Single mechanical seal, without shaft sleeve
24	Casing Cover	Cast Iron		eMG12 - Ø22mm
25	Impeller	Fabricated Stainless Steel		Mechanical seal diameter
26	Shaft	Stainless steel		22 mm
27	Wear ring	Stainless steel		1. Rotating ring
28	Impeller lock nut and washer	Stainless steel		Carbon graphite resin impregnated
29	Impeller key	Stainless steel		2. Stationary ring
30	Fill and drain plugs	Stainless steel		SiC, silicon carbide, sintered press. less
31				3. Secondary seal
32				Ethylene propylene rubber (EPDM)
33				4. Springs
34				CrNiMo - Steel
35				5. Others
36				EPDM - WRAS
37				Gaskets of the pump
38				Ethylene propylene rubber (EPDM)
39				
40				
41				

Motor data				
42	Manufacturer	Lowara		
43	Specific design	IE3 3ph Flange Motor		
44	Type	PLM 132 B14 11 kW		
45	Rated power	11 kW	Rated current	20.2 A
46	Nominal speed	2910 rpm	Rated voltage	400 V
47	Frame size	132	Service factor	1
48	Weight	kg 63.0	Degree of protection	IP55

Remarks				
49				
50				
50				
52				

# NSCE 50-160/110/P25VCS4

## Performance curve

Company name  
Contact  
Phone number  
e-mail address

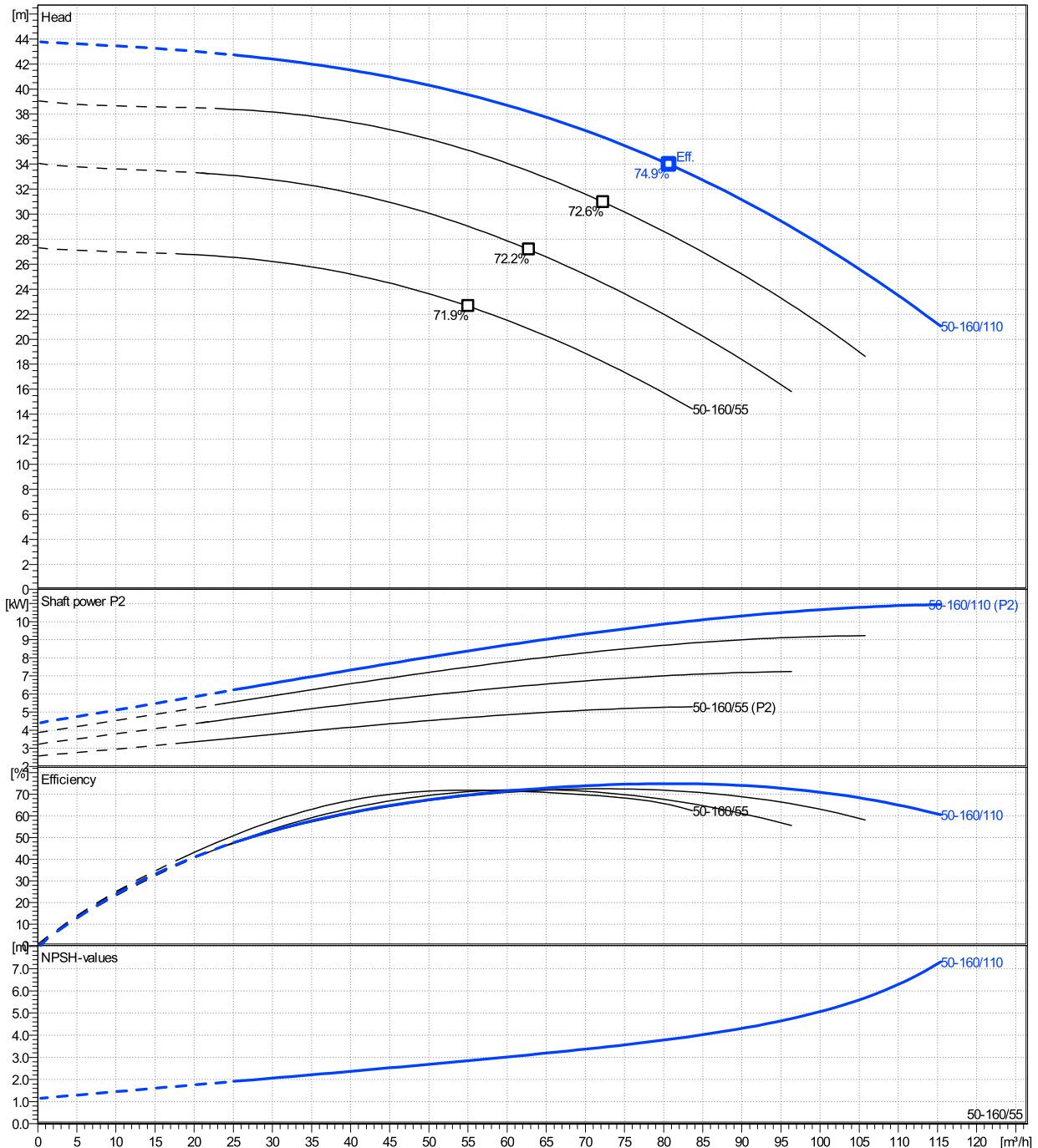
	Ø mm	Pump capacity			Pump head		Shaft power P2			Frequency	Hz	50
		Operating range Min. m³/h	Max. m³/h	η Max. m³/h	H(Q=0) m	η Max. m	P2(Q=0) kW	Max. kW	η Max. kW	Operating speed	rpm	2910
actual	176	26.1	115	80.7	43.8	34	10.9	9.91	Nominal flow	m³/h	0	
Min.	0	/	/	55.1	27.3	22.6	/	4.7	Nominal head	m	0	
Max.	176	/	/	80.7	43.8	34	/	9.91	Inlet pressure	kPa	0	
									Static head	m	0	

**Power datas referred to:**

hydr. Performance acceptance acc. To EN ISO 9906 Class Grade 3B

Water, pure [100%] ; 4°C; 1000kg/m³; 1.57mm²/s

MEI: N.A - according to Ecodesign Directive 2009/125/EC and Regulation (EU) No.547/2012



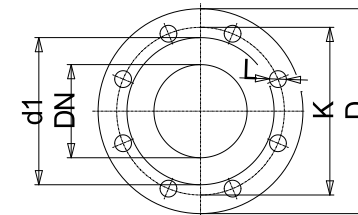
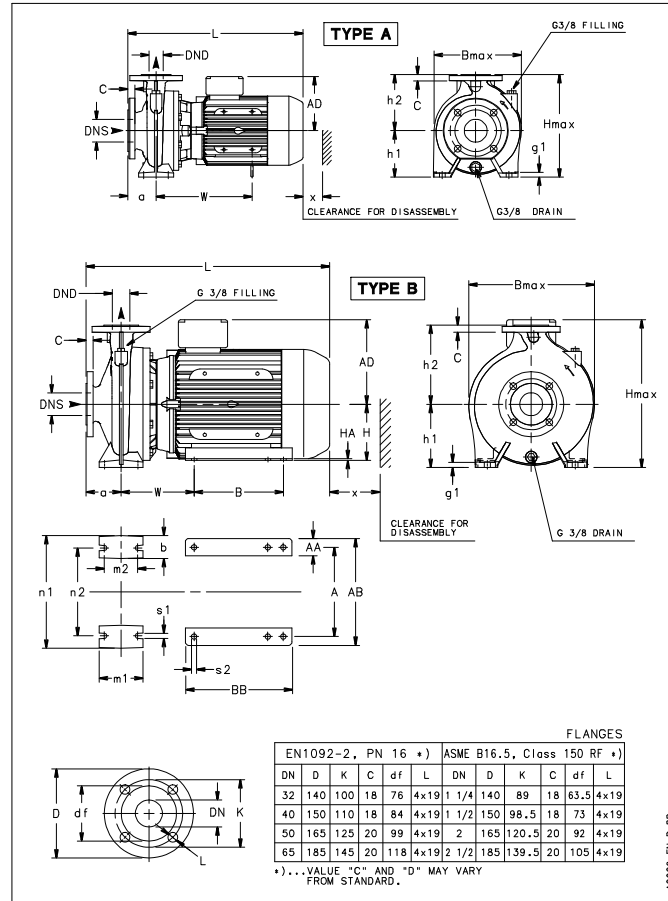
# NSCE 50-160/110/P25VCS4

## Dimensions

Company name  
Contact  
Phone number  
e-mail address

Extended shaft  
2 poles motor  
PLM 132 B14 11 kW

Electrical and dimensional data refer to IE3 motor



Value C, D may vary from Standard

### Dimensions [ mm ]

a	100
AD	191
B max	289
b	50
DND	50
DNS	65
g1	14
H max	351
h1	160
h2	180
L	605
m1	100
m2	70
n1	265
n2	212
s1	14
Type	A
W	343
x	103

### Weight

<b>Total weight</b>	<b>87 kg</b>
---------------------	--------------

### Connections

Suction nozzle		Discharge nozzle	
<b>DN 65</b>		<b>DN 50</b>	
<b>PN 16</b>		<b>PN 16</b>	
<b>EN1092-2</b>		<b>EN1092-2</b>	
C	20	C	20
D	185	D	165
df	118	df	99
DN	65	DN	50
K	145	K	125
L	4 x 19	L	4 x 19

### Dimensions and weight without obligation

<b>Project</b>	Xylect-20123544
<b>Block</b>	NSCE 50-160/110/P25VCS4

Created by  
Created on 10/30/2024

Last update 10/30/2024