

NSCE50-160/110/P26PCS4

Technical data

Company name
Contact
Phone number
e-mail address

Operating data					
1	Pumpe type	Single head pump	Fluid	Water, pure	
2	No. of pumps	1	Operating temperature t A	°F	39.2
3	Nominal flow	US g.p.m. 0	Max / Min Operating Temperature mech. Seal	°F	120 / -25
4	Nominal head	ft 0	pH-value at t A		7
5	Static head	ft 0	Density at t A	lb/ft ³	62.4
6	Inlet pressure	psi 0	Kin. viscosity at t A	ft ² /s	1.689E-5
7	Environmental temperature	°F 68	Vapor pressure at t A	psi	14.5
8	Available system NPSH	ft 0	Altitude		0

Pump data					
9	Lubrication	Standard, Grease lubrication [Std]			
10	Execution	2 poles motor			
11	Design	Horizontal			
12	Operating speed	3530 rpm	Stages	1	
13	Suction nozzle	DN 65 /	PN 16 /	EN1092-2	
14	Discharge nozzle	DN 50 /	PN 16 /	EN1092-2	
15	Max. casing pressure	psi		Impeller Ø	Max. inch 6
16	Max. working pressure	psi	64.4		designed inch 6
17	Impeller type	Radial impeller			Min. inch 5 11/16
18	Head H(Q=0)	ft	150	Flow	Nominal US g.p.m.
19	Max. shaft power	hp	14.7		Max- US g.p.m. 408.5
20	Pump weight	kg			Min- US g.p.m. 115.5
21	Total weight	lb	198.4	Head	Nominal ft
					at Qmax ft 102.1
					at Qmin ft 145.9
				Shaft power	hp
				Efficiency	%
				NPSH 3%	ft

Materials					
22		Pump		Shaft Seal	
23	Volute Casing	Cast Iron		Single mechanical seal, without shaft sleeve	
24	Casing Cover	Cast Iron		eMG12 - Ø22mm	BQ7EGG-WA
25	Impeller	Fabricated Stainless Steel		Mechanical seal diameter	7/8 inch
26	Shaft	Stainless steel		1. Rotating ring	Carbon graphite resin impregnated
27	Wear ring	Stainless steel		2. Stationary ring	SiC, silicon carbide, sintered press.less
28	Impeller lock nut and washer	Stainless steel		3. Secondary seal	Ethylene propylene rubber (EPDM)
29	Impeller key	Stainless steel		4. Springs	CrNiMo - Steel
30	Fill and drain plugs	Stainless steel		5. Others	EPDM - WRAS
31				Gaskets of the pump	Ethylene propylene rubber (EPDM)
32					
33					
34					
35					
36					
37					
38					
39					
40					
41					

Motor data					
Electrical and dimensional data refer to IE3 motor					
42	Manufacturer	Lowara			
43	Specific design	IE3 3ph Flange Motor			
44	Type	PLM 132 B14 11 kW			
45	Rated power	14.751 hp	Rated current	35.7 A	
46	Nominal speed	3530 rpm	Rated voltage	220 V	
47	Frame size	132	Service factor	1	
48	Weight	lb 138.9	Degree of protection	IP55	

Remarks					
49					
50					
50					
52					

NSCE50-160/110/P26PCS4

Performance curve

Company name
Contact
Phone number
e-mail address

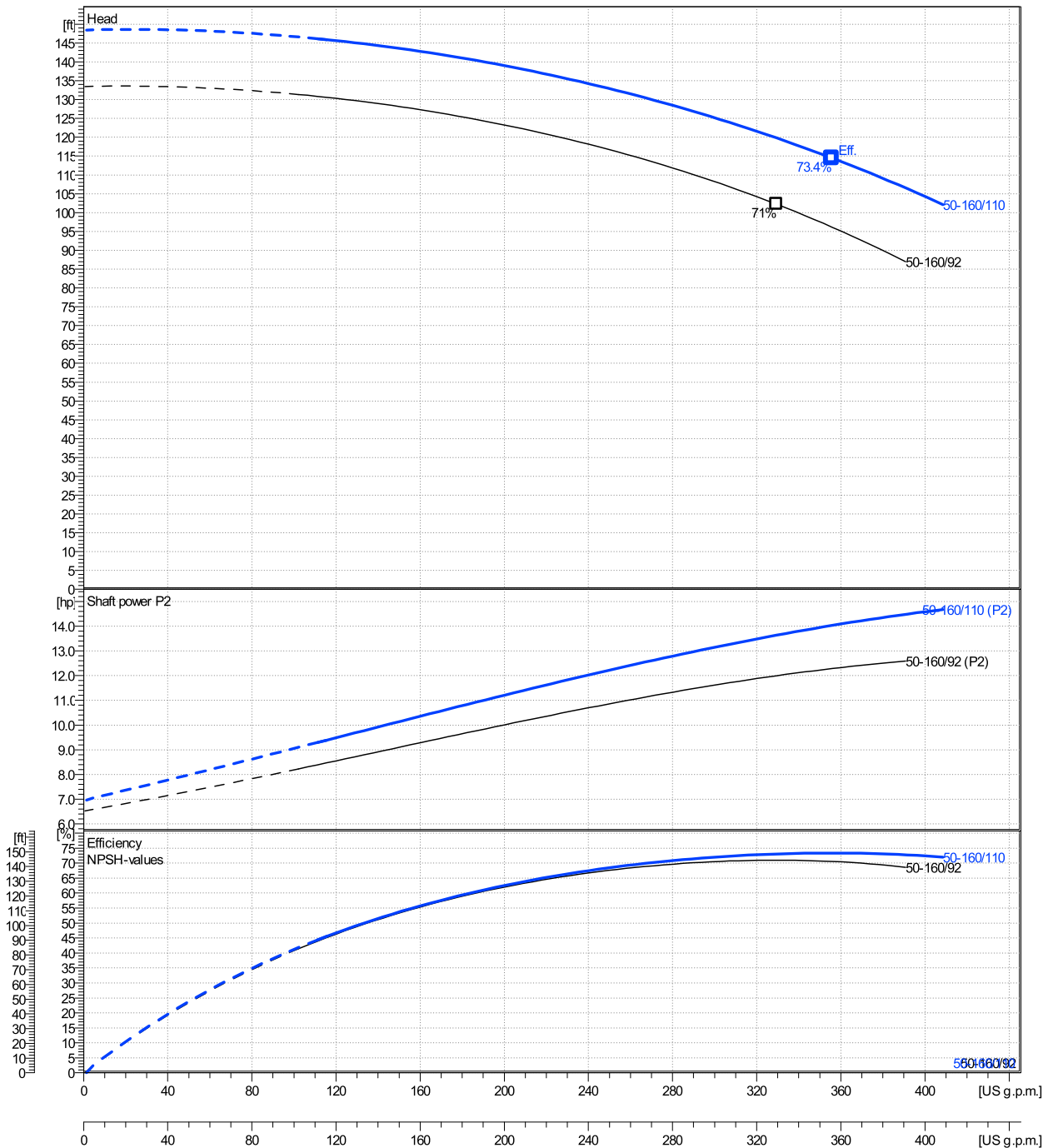
	Ø mm	Pump capacity Operating range η			Pump head H(Q=0) η		Shaft power P2 P2(Q=0) Max. η			Frequency	Hz	
		Min. US g.p.m.	Max. US g.p.m.	Max. US g.p.m.	H(Q=0) ft	η ft	P2(Q=0) hp	Max. hp	η hp	Operating speed	rpm	
actual	6	115	409	356	148	115	14.7	14		Nominal flow	US g.p.m.	0
Min.	0	/	/	329	133	102	/	12		Nominal head	ft	0
Max.	6	/	/	356	148	115	/	14		Inlet pressure	psi	0
										Static head	ft	0

Power datas referred to:

hydr. Performance acceptance acc. To EN ISO 9906 Class Grade 3B

Water, pure [100%] ; 39.2°F; 62.4lb/ft³; 1.69E-5ft²/s

MEI: N.A - according to Ecodesign Directive 2009/125/EC and Regulation (EU) No.547/2012



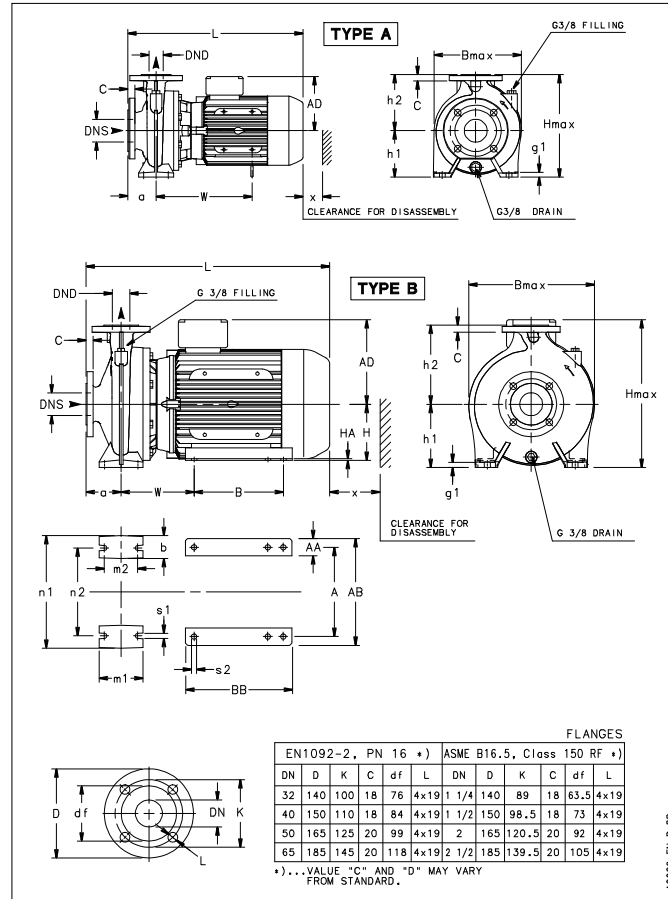
NSCE50-160/110/P26PCS4

Dimensions

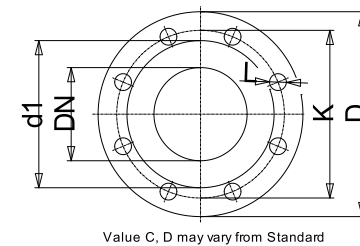
Company name
Contact
Phone number
e-mail address

Extended shaft
2 poles motor
PLM 132 B14 11 kW

Electrical and dimensional data refer to IE3 motor



A0009-ENL_BD



Dimensions [inch]

a	3 ¹⁵ / ₁₆		
AD	7 ¹ / ₂		
B max	11 ³ / ₈		
b	1 ¹⁵ / ₁₆		
DND	1 ¹⁵ / ₁₆		
DNS	2 ⁹ / ₁₆		
g1	9 ⁹ / ₁₆		
H max	13 ¹³ / ₁₆		
h1	6 ⁵ / ₁₆		
h2	7 ¹ / ₁₆		
L	23 ¹³ / ₁₆		
m1	3 ¹⁵ / ₁₆		
m2	2 ³ / ₄		
n1	10 ⁷ / ₁₆		
n2	8 ³ / ₈		
s1	9 ⁹ / ₁₆		
Type	A		
W	13 ¹ / ₂		
x	4 ¹ / ₁₆		

Weight

Total weight	90 kg
---------------------	--------------

Connections

Suction nozzle		Discharge nozzle	
DN 65		DN 50	
PN 16		PN 16	
EN1092-2		EN1092-2	
C	1 ³ / ₁₆	C	1 ³ / ₁₆
D	7 ⁵ / ₁₆	D	6 ¹ / ₂
df	4 ⁵ / ₈	df	3 ⁷ / ₈
DN	2 ⁹ / ₁₆	DN	1 ¹⁵ / ₁₆
K	5 ¹¹ / ₁₆	K	4 ¹⁵ / ₁₆
L	4 x 19	L	4 x 19

Note:
Weight and Dimensions of selected Hydrovar are NOT considered.
Please refer to additional datasheet.

Dimensions and weight without obligation

Project	NSCE50-160/110/P26PCS4	Created by		Last update	1/9/2025
Block		Created on	1/9/2025		