

# NSCE 50-160/15/P45RCS4

## Technical data

Company name  
Contact  
Phone number  
e-mail address

Operating data			
1	Pumpe type	Single head pump	Fluid Water, pure
2	No. of pumps	1	Operating temperature t A °C 4
3	Nominal flow	m <sup>3</sup> /h 0	Max / Min Operating Temperature mech. Seal °C 120 / -25
4	Nominal head	m 0	pH-value at t A 7
5	Static head	m 0	Density at t A kg/m <sup>3</sup> 1000
6	Inlet pressure	kPa 0	Kin. viscosity at t A mm <sup>2</sup> /s 1.569
7	Environmental temperature	°C 20	Vapor pressure at t A kPa 100
8	Available system NPSH	m 0	Altitude 0

Pump data			
9	Lubrication	Standard, Grease lubrication [Std]	
10	Execution	4 poles motor	
11	Design	Horizontal	
12	Operating speed	1440 rpm	Stages 1
13	Suction nozzle	DN 65 / PN 16 / EN1092-2	Impeller Ø
14	Discharge nozzle	DN 50 / PN 16 / EN1092-2	
15	Max. casing pressure	kPa	Flow
16	Max. working pressure	kPa 104.6	
17	Impeller type	Radial impeller	
18	Head H(Q=0)	m 11	Head
19	Max. shaft power	kW 1.3	
20	Pump weight	kg	Shaft power kW
21	Total weight	kg 48.0	
			Efficiency %
			NPSH 3% m

Materials			
22		<b>Pump</b>	<b>Shaft Seal</b>
23	Volute Casing	Cast Iron	Single mechanical seal, without shaft sleeve
24	Casing Cover	Cast Iron	eMG12 - Ø22mm BQ7EGG-WA
25	Impeller	Fabricated Stainless Steel	Mechanical seal diameter 22 mm
26	Shaft	Stainless steel	1. Rotating ring Carbon graphite resin impregnated
27	Wear ring	Stainless steel	2. Stationary ring SiC, silicon carbide, sintered press.less
28	Impeller lock nut and washer	Stainless steel	3. Secondary seal Ethylene propylene rubber (EPDM)
29	Impeller key	Stainless steel	4. Springs CrNiMo - Steel
30	Fill and drain plugs	Stainless steel	5. Others EPDM - WRAS
31			Gaskets of the pump Ethylene propylene rubber (EPDM)
32			
33			
34			
35			
36			
37			
38			
39			
40			
41			

Motor data			
Electrical and dimensional data refer to IE3 motor			
42	Manufacturer	Lowara	
43	Specific design	IE3 3ph Flange Motor	
44	Type	PLM 90 B14 1,5 kW	
45	Rated power	1.5 kW	Rated current 3.7 A
46	Nominal speed	1440 rpm	Rated voltage 400 V
47	Frame size	90	Service factor 1
48	Weight	kg 20.0	Degree of protection IP55

Remarks	
49	
50	
50	
52	

Project	Xylect-20123544	Created by		Last update	10/30/2024
Block	NSCE 50-160/110/P25VCS4	Created on	10/30/2024		

# NSCE 50-160/15/P45RCS4

## Performance curve

Company name  
Contact  
Phone number  
e-mail address

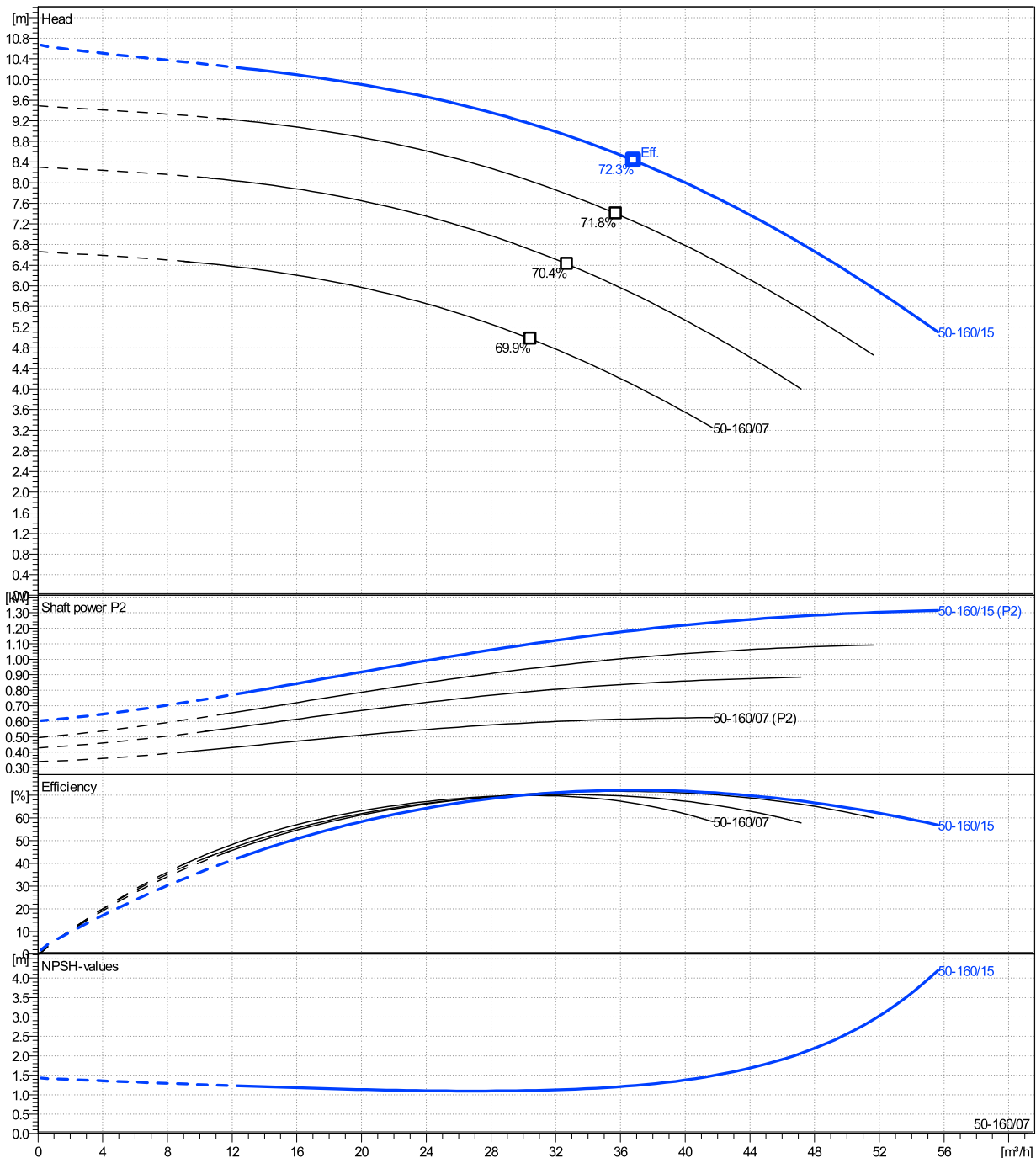
	Ø mm	Pump capacity			Pump head		Shaft power P2			Frequency		Hz	50
		Operating range Min. m³/h	Max. m³/h	η Max. m³/h	H(Q=0) m	η Max. m	P2(Q=0) kW	Max. kW	η Max. kW	Operating speed rpm	1440		
actual	176	12.9	55.6	36.8	10.7	8.43	1.31	1.19	72.3%	Nominal flow	m³/h	0	
Min.	0	/	/	30.4	6.66	4.97	/	0.59	71.8%	Nominal head	m	0	
Max.	176	/	/	36.8	10.7	8.43	/	1.19	70.4%	Inlet pressure	kPa	0	
									69.9%	Static head	m	0	

**Power datas referred to:**

hydr. Performance acceptance acc. To EN ISO 9906 Class Grade 3B

Water, pure [100%] ; 4°C; 1000kg/m³; 1.57mm²/s

MEI: N.A - according to Ecodesign Directive 2009/125/EC and Regulation (EU) No.547/2012



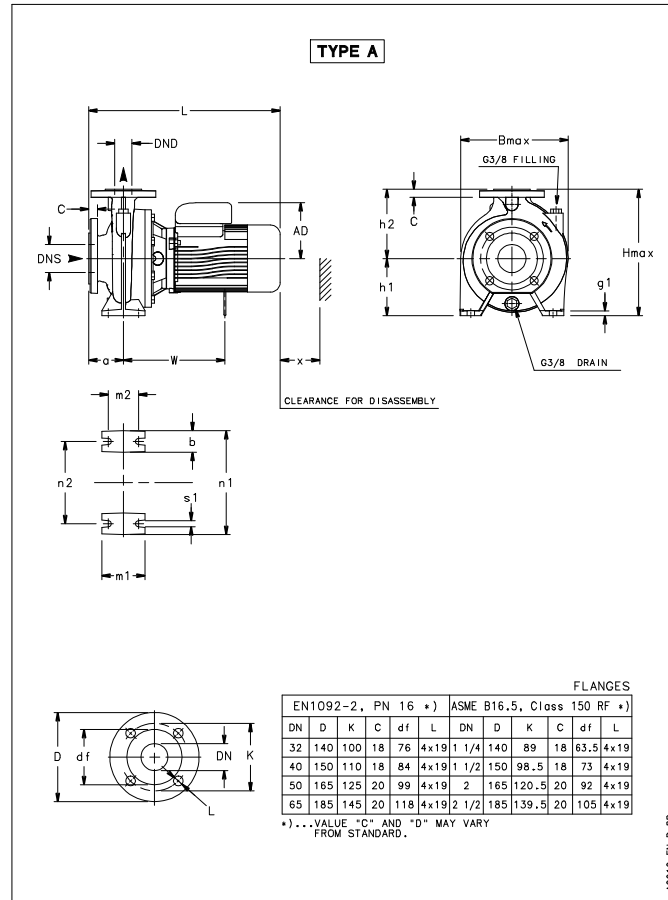
# NSCE 50-160/15/P45RCS4

## Dimensions

Company name  
Contact  
Phone number  
e-mail address

Extended shaft  
4 poles motor  
PLM 90 B14 1,5 kW

Electrical and dimensional data refer to IE3 motor



### Dimensions [ mm ]

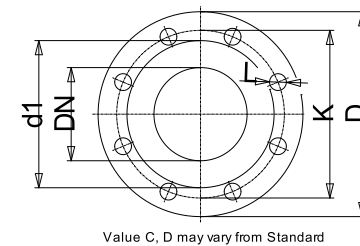
a	100
AD	134
B max	289
b	50
DND	50
DNS	65
g1	14
H max	340
h1	160
h2	180
L	498
m1	100
m2	70
n1	265
n2	212
s1	14
Type	A
W	245
x	103

### Weight

<b>Total weight</b>	<b>48 kg</b>
---------------------	--------------

### Connections

Suction nozzle		Discharge nozzle	
<b>DN 65</b>		<b>DN 50</b>	
<b>PN 16</b>		<b>PN 16</b>	
<b>EN1092-2</b>		<b>EN1092-2</b>	
C	20	C	20
D	185	D	165
df	118	df	99
DN	65	DN	50
K	145	K	125
L	4 x 19	L	4 x 19



### Dimensions and weight without obligation

<b>Project</b>	Xylect-20123544
<b>Block</b>	NSCE 50-160/110/P25VCS4

**Created by**  
**Created on** 10/30/2024

**Last update** 10/30/2024