

NSCE 50-250/22/P45RCS4

Technical data

Company name
Contact
Phone number
e-mail address

Operating data			
1	Pumpe type	Single head pump	Fluid Water, pure
2	No. of pumps	1	Operating temperature t A °C 4
3	Nominal flow	m ³ /h 0	Max / Min Operating Temperature mech. Seal °C 120 / -25
4	Nominal head	m 0	pH-value at t A 7
5	Static head	m 0	Density at t A kg/m ³ 1000
6	Inlet pressure	kPa 0	Kin. viscosity at t A mm ² /s 1.569
7	Environmental temperature	°C 20	Vapor pressure at t A kPa 100
8	Available system NPSH	m 0	Altitude 0

Pump data			
9	Lubrication	Standard, Grease lubrication [Std]	
10	Execution	4 poles motor	
11	Design	Horizontal	
12	Operating speed	1445 rpm	Stages 1
13	Suction nozzle	DN 65 / PN 16 / EN1092-2	Impeller Ø
14	Discharge nozzle	DN 50 / PN 16 / EN1092-2	
15	Max. casing pressure	kPa	Flow
16	Max. working pressure	kPa 161.5	
17	Impeller type	Radial impeller	
18	Head H(Q=0)	m 16	Head
19	Max. shaft power	kW 2.2	
20	Pump weight	kg	Shaft power kW
21	Total weight	kg 65.0	
			Efficiency %
			NPSH 3% m

Materials			
22		Pump	Shaft Seal
23	Volute Casing	Cast Iron	Single mechanical seal, without shaft sleeve
24	Casing Cover	Cast Iron	eMG12 - Ø28mm BQ7EGG-WA
25	Impeller	Fabricated Stainless Steel	Mechanical seal diameter 28 mm
26	Shaft	Stainless steel	1. Rotating ring Carbon graphite resin impregnated
27	Wear ring	Stainless steel	2. Stationary ring SiC, silicon carbide, sintered press.less
28	Impeller lock nut and washer	Stainless steel	3. Secondary seal Ethylene propylene rubber (EPDM)
29	Impeller key	Stainless steel	4. Springs CrNiMo - Steel
30	Fill and drain plugs	Stainless steel	5. Others EPDM - WRAS
31			Gaskets of the pump Ethylene propylene rubber (EPDM)
32			
33			
34			
35			
36			
37			
38			
39			
40			
41			

Motor data			
42	Manufacturer	Lowara	
43	Specific design	IE3 3ph Flange Motor	
44	Type	PLM 100 B14 2,2 kW	
45	Rated power	2.2 kW	Rated current 4.64 A
46	Nominal speed	1445 rpm	Rated voltage 400 V
47	Frame size	100	Service factor 1
48	Weight	kg 28.8	Degree of protection IP55

Remarks			
49			
50			
50			
52			

NSCE 50-250/22/P45RCS4

Performance curve

Company name
Contact
Phone number
e-mail address

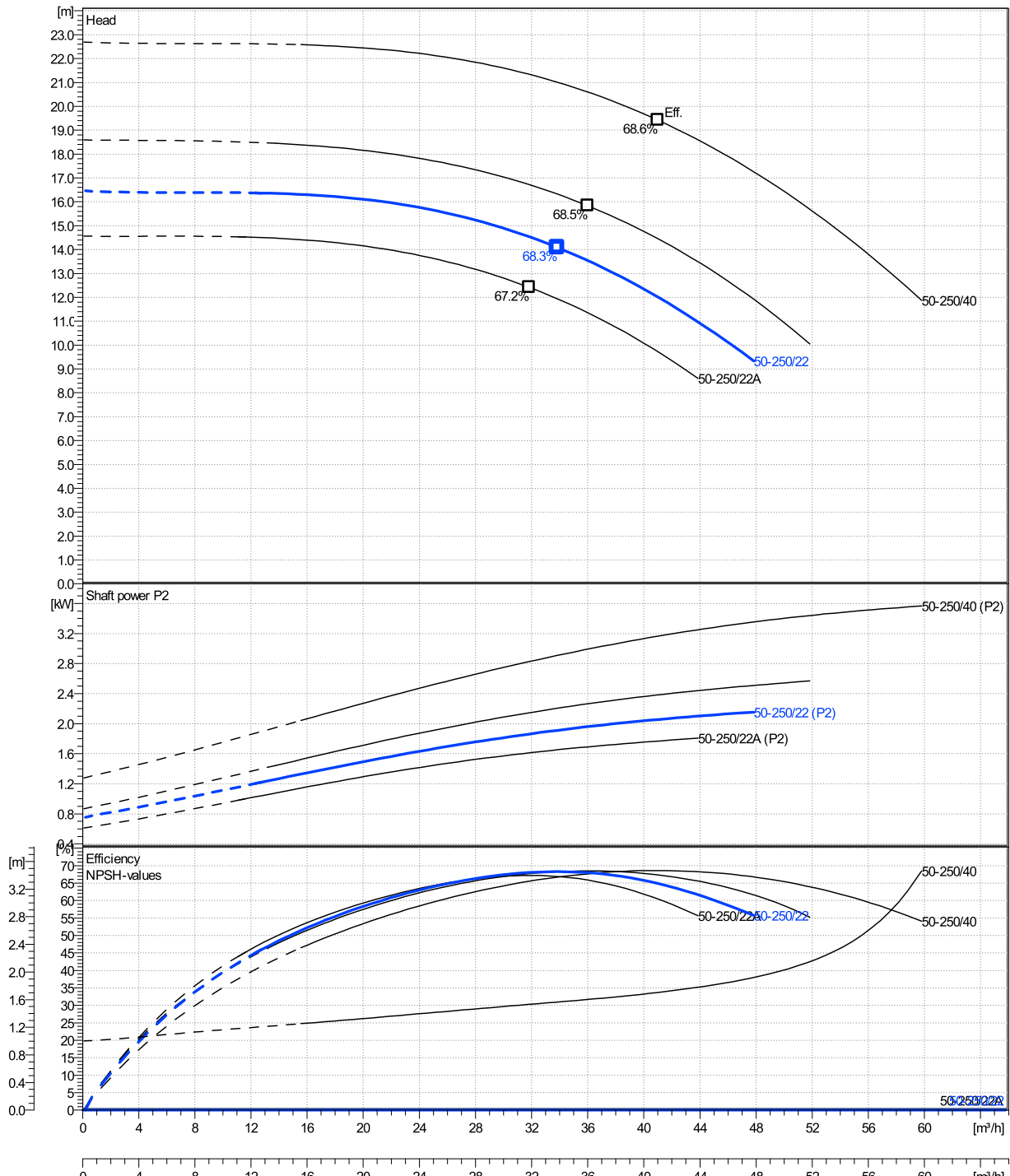
	Ø mm	Pump capacity			Pump head		Shaft power P2			Frequency		Hz	50
		Operating range Min. m³/h	Max. m³/h	η Max. m³/h	H(Q=0) m	η Max. m	P2(Q=0) kW	Max. kW	η Max. kW	Operating speed rpm	1445		
actual	220	12.7	47.8	33.8	16.5	14.1		2.15	1.91	Nominal flow	m³/h	0	
Min.	0	/	/	31.8	14.6	12.4		/	1.61	Nominal head	m	0	
Max.	256	/	/	41	22.7	19.4		/	3.16	Inlet pressure	kPa	0	
										Static head	m	0	

Power datas referred to:

hydr. Performance acceptance acc. To EN ISO 9906 Class Grade 3B

Water, pure [100%] ; 4°C; 1000kg/m³; 1.57mm²/s

MEI: N.A - according to Ecodesign Directive 2009/125/EC and Regulation (EU) No.547/2012



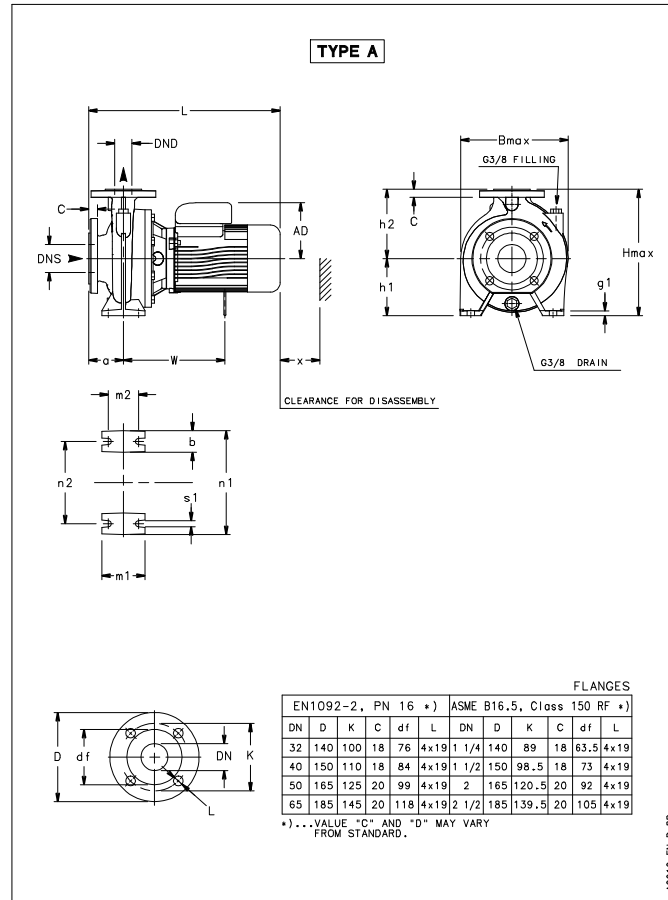
NSCE 50-250/22/P45RCS4

Dimensions

Company name
Contact
Phone number
e-mail address

Extended shaft
4 poles motor
PLM 100 B14 2,2 kW

Electrical and dimensional data refer to IE3 motor



Dimensions [mm]

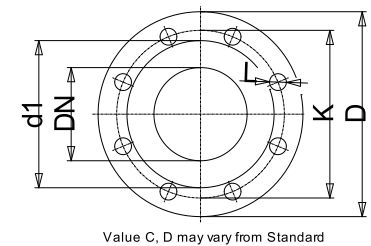
a	100
AD	168
B max	358
b	65
DND	50
DNS	65
g1	16
H max	405
h1	180
h2	225
L	522
m1	125
m2	95
n1	320
n2	250
s1	14
Type	A
W	285
x	110

Weight

Total weight	65 kg
---------------------	--------------

Connections

Suction nozzle		Discharge nozzle	
DN 65		DN 50	
PN 16		PN 16	
EN1092-2		EN1092-2	
C	20	C	20
D	185	D	165
df	118	df	99
DN	65	DN	50
K	145	K	125
L	4 x 19	L	4 x 19



Dimensions and weight without obligation

Project	Xylect-20123544
Block	NSCE 50-250/220/P25VCS4

Created by
Created on 10/30/2024

Last update 10/30/2024