

# NSCE65-125/110/P26PCC4

## Technical data

Company name  
Contact  
Phone number  
e-mail address

Operating data						
1	Pumpe type	Single head pump		Fluid	Water, pure	
2	No. of pumps	1		Operating temperature t A	°F	39.2
3	Nominal flow	US g.p.m.	0	Max / Min Operating Temperature mech. Seal		°F 120 / -25
4	Nominal head	ft	0	pH-value at t A		7
5	Static head	ft	0	Density at t A		lb/ft <sup>3</sup> 62.4
6	Inlet pressure	psi	0	Kin. viscosity at t A		ft <sup>2</sup> /s 1.689E-5
7	Environmental temperature	°F	68	Vapor pressure at t A		psi 14.5
8	Available system NPSH	ft	0	Altitude		0

Pump data						
9	Lubrication	Standard, Grease lubrication [Std]				
10	Execution	2 poles motor				
11	Design	Horizontal				Impeller Ø
12	Operating speed	3530 rpm	Stages	1		
13	Suction nozzle	DN 80 /	PN 16 /	EN1092-2		
14	Discharge nozzle	DN 65 /	PN 16 /	EN1092-2		Flow
15	Max. casing pressure	psi				
16	Max. working pressure	psi	45.7			Head
17	Impeller type	Radial impeller				
18	Head H(Q=0)	ft	110			
19	Max. shaft power	hp	15.1	Shaft power		hp
20	Pump weight	kg		Efficiency		%
21	Total weight	lb	207.2	NPSH 3%		ft

Materials						
22		Pump			Shaft Seal	
23	Volute Casing	Cast Iron			Single mechanical seal, without shaft sleeve	
24	Casing Cover	Cast Iron			eMG12 - Ø22mm	BQ7EGG-WA
25	Impeller	Cast Iron			Mechanical seal diameter	
26	Shaft	Stainless steel			1. Rotating ring	Carbon graphite resin impregnated
27	Wear ring	Stainless steel			2. Stationary ring	SiC, silicon carbide, sintered press.less
28	Impeller lock nut and washer	Stainless steel			3. Secondary seal	Ethylene propylene rubber (EPDM)
29	Impeller key	Stainless steel			4. Springs	CrNiMo - Steel
30	Fill and drain plugs	Stainless steel			5. Others	EPDM - WRAS
31					Gaskets of the pump	Ethylene propylene rubber (EPDM)
32						
33						
34						
35						
36						
37						
38						
39						
40						
41						

Motor data					
Electrical and dimensional data refer to IE3 motor					
42	Manufacturer	Lowara			
43	Specific design	IE3 3ph Flange Motor			
44	Type	PLM 132 B14 11 kW			
45	Rated power	14.751 hp	Rated current	35.7 A	
46	Nominal speed	3530 rpm	Rated voltage	220 V	
47	Frame size	132	Service factor	1	
48	Weight	lb 138.9	Degree of protection	IP55	

Remarks					
49					
50					
50					
52					

# NSCE65-125/110/P26PCC4

## Performance curve

Company name  
Contact  
Phone number  
e-mail address

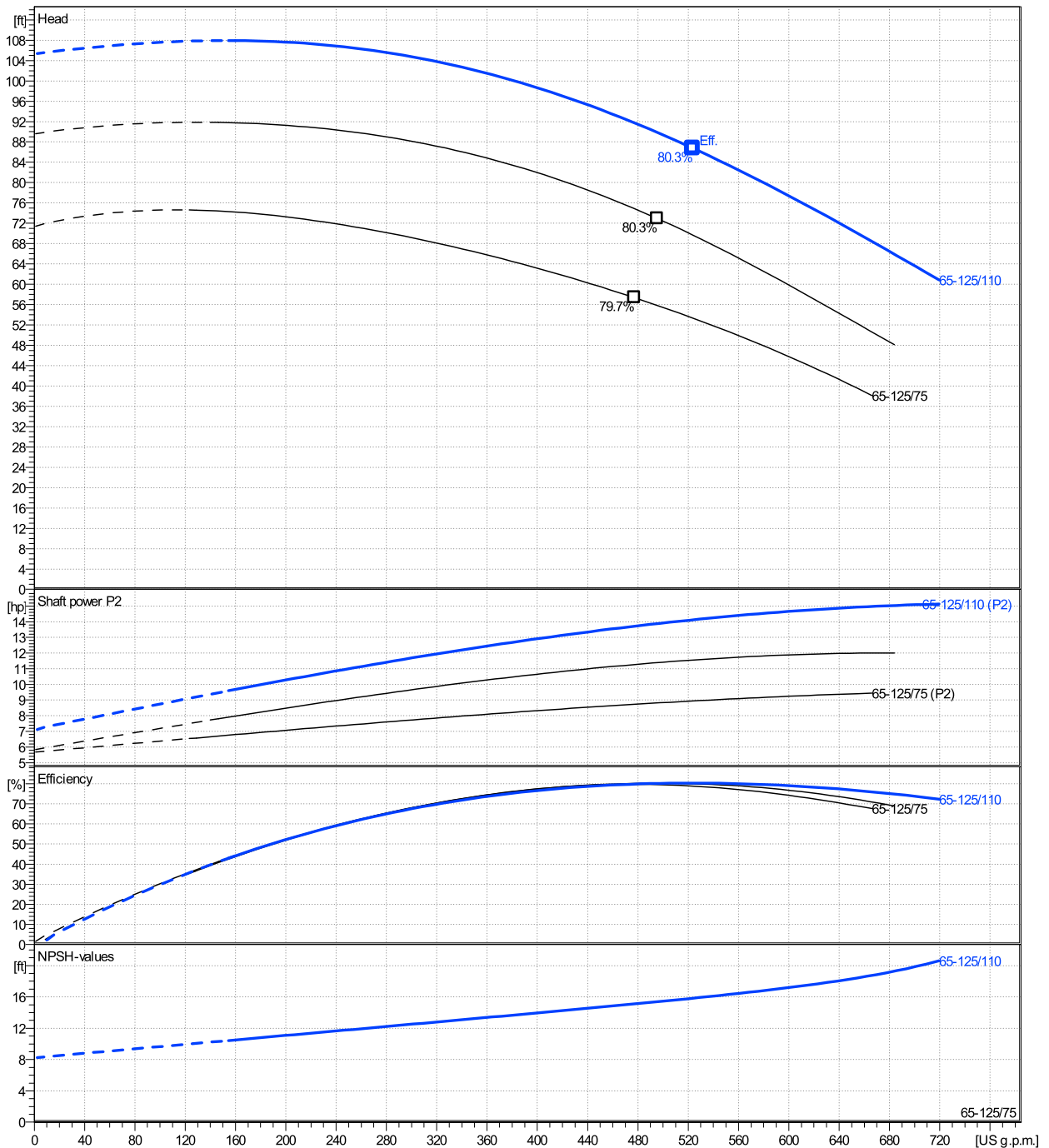
	Ø mm	Pump capacity			Pump head		Shaft power P2			Frequency	Hz	
		Operating range Min. US g.p.m.	Max. US g.p.m.	η Max. US g.p.m.	H(Q=0) ft	η Max. ft	P2(Q=0) hp	Max. hp	η Max. hp	Operating speed	rpm	
actual	5 3/16	160	719	523	105	86.8		15.1	14.1	Nominal flow	US g.p.m.	0
Min.	0	/	/	477	71.4	57.4		/	8.73	Nominal head	ft	0
Max.	5 3/16	/	/	523	105	86.8		/	14.1	Inlet pressure	psi	0
										Static head	ft	0

**Power datas referred to:**

hydr. Performance acceptance acc. To EN ISO 9906 Class Grade 3B

Water, pure [100%] ; 39.2°F; 62.4lb/ft³; 1.69E-5ft²/s

MEI: N.A - according to Ecodesign Directive 2009/125/EC and Regulation (EU) No.547/2012



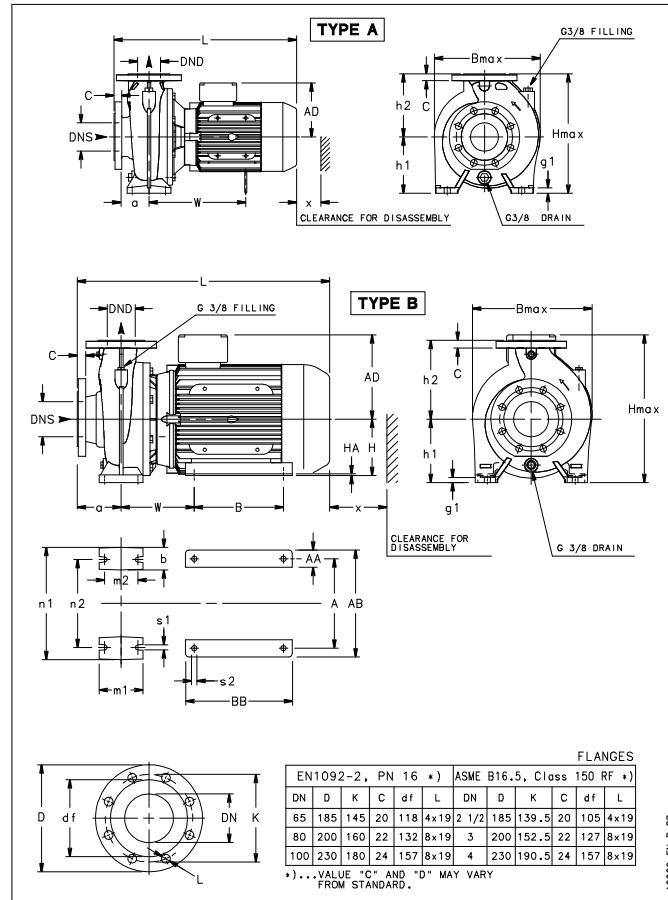
# NSCE65-125/110/P26PCC4

## Dimensions

Company name  
Contact  
Phone number  
e-mail address

Extended shaft  
2 poles motor  
PLM 132 B14 11 kW

Electrical and dimensional data refer to IE3 motor



Note:  
Weight and Dimensions of selected Hydrovar are NOT considered.  
Please refer to additional datasheet.

### Dimensions and weight without obligation

Project	
Block	NSCE65-125/110/P26PCC4

Created by  
Created on 1/9/2025

Last update 1/9/2025

### Dimensions [ inch ]

a	3 <sup>5</sup> / <sub>16</sub>
AD	7 <sup>1</sup> / <sub>2</sub>
B max	11 <sup>13</sup> / <sub>16</sub>
b	2 <sup>9</sup> / <sub>16</sub>
DND	2 <sup>9</sup> / <sub>16</sub>
DNS	3 <sup>3</sup> / <sub>8</sub>
g1	5 <sup>5</sup> / <sub>8</sub>
H max	13 <sup>13</sup> / <sub>16</sub>
h1	6 <sup>5</sup> / <sub>16</sub>
h2	7 <sup>1</sup> / <sub>16</sub>
L	23 <sup>7</sup> / <sub>8</sub>
m1	4 <sup>15</sup> / <sub>16</sub>
m2	3 <sup>3</sup> / <sub>4</sub>
n1	11 <sup>1</sup> / <sub>32</sub>
n2	8 <sup>3</sup> / <sub>8</sub>
s1	9 <sup>9</sup> / <sub>16</sub>
Type	A
W	13 <sup>9</sup> / <sub>16</sub>
x	3 <sup>15</sup> / <sub>16</sub>

### Weight

Total weight	94 kg
--------------	-------

### Connections

Suction nozzle		Discharge nozzle	
DN 80		DN 65	
PN 16		PN 16	
EN1092-2		EN1092-2	
C	7 <sup>7</sup> / <sub>8</sub>	C	13 <sup>1</sup> / <sub>16</sub>
D	7 <sup>7</sup> / <sub>8</sub>	D	7 <sup>5</sup> / <sub>16</sub>
df	5 <sup>3</sup> / <sub>16</sub>	df	4 <sup>5</sup> / <sub>8</sub>
DN	3 <sup>1</sup> / <sub>8</sub>	DN	2 <sup>9</sup> / <sub>16</sub>
K	6 <sup>5</sup> / <sub>16</sub>	K	5 <sup>11</sup> / <sub>16</sub>
L	8 x 19	L	4 x 19

