

NSCE 65-125/75/P25VCC4

Technical data

Company name
Contact
Phone number
e-mail address

Operating data						
1	Pumpe type	Single head pump		Fluid	Water, pure	
2	No. of pumps	1		Operating temperature t A	°C	4
3	Nominal flow	m ³ /h	0	Max / Min Operating Temperature mech. Seal	°C	120 / -25
4	Nominal head	m	0	pH-value at t A		7
5	Static head	m	0	Density at t A	kg/m ³	1000
6	Inlet pressure	kPa	0	Kin. viscosity at t A	mm ² /s	1.569
7	Environmental temperature	°C	20	Vapor pressure at t A	kPa	100
8	Available system NPSH	m	0	Altitude		0

Pump data								
9	Lubrication	Standard, Grease lubrication [Std]						
10	Execution	2 poles motor						
11	Design	Horizontal						
12	Operating speed	2920 rpm	Stages	1				
13	Suction nozzle	DN 80	/	PN 16	/ EN1092-2			
14	Discharge nozzle	DN 65	/	PN 16	/ EN1092-2			
15	Max. casing pressure	kPa		Impeller Ø	Max.	mm	148	
16	Max. working pressure	kPa	237		designed	mm	137	
17	Impeller type	Radial impeller			Min.	mm	113	
18	Head H(Q=0)	m	24		Flow	Nominal	m ³ /h	
19	Max. shaft power	kW	7.3			Max-	m ³ /h	159.1
20	Pump weight	kg				Min-	m ³ /h	31.9
21	Total weight	kg	82.0		Head	Nominal	m	
						at Qmax	m	10.5
					at Qmin	m	24.4	
					Shaft power	kW		
					Efficiency	%		
					NPSH 3%	m		

Materials					
Pump			Shaft Seal		
22					
23	Volute Casing	Cast Iron		Single mechanical seal, without shaft sleeve	
24	Casing Cover	Cast Iron		eMG12 - Ø22mm	BQ7EGG-WA
25	Impeller	Cast Iron		Mechanical seal diameter	22 mm
26	Shaft	Stainless steel		1. Rotating ring	Carbon graphite resin impregnated
27	Wear ring	Stainless steel		2. Stationary ring	SiC, silicon carbide, sintered press.less
28	Impeller lock nut and washer	Stainless steel		3. Secondary seal	Ethylene propylene rubber (EPDM)
29	Impeller key	Stainless steel		4. Springs	CrNiMo - Steel
30	Fill and drain plugs	Stainless steel		5. Others	EPDM - WRAS
31				Gaskets of the pump	Ethylene propylene rubber (EPDM)
32					
33					
34					
35					
36					
37					
38					
39					
40					
41					

Motor data					
Electrical and dimensional data refer to IE3 motor					
42	Manufacturer	Lowara			
43	Specific design	IE3 3ph Flange Motor			
44	Type	PLM 132 B14 7,5 kW			
45	Rated power	7.5 kW	Rated current	14.1 A	
46	Nominal speed	2920 rpm	Rated voltage	400 V	
47	Frame size	132	Service factor	1	
48	Weight	kg	55.8	Degree of protection	IP55

Remarks					
49					
50					
50					
52					

NSCE 65-125/75/P25VCC4

Performance curve

Company name
Contact
Phone number
e-mail address

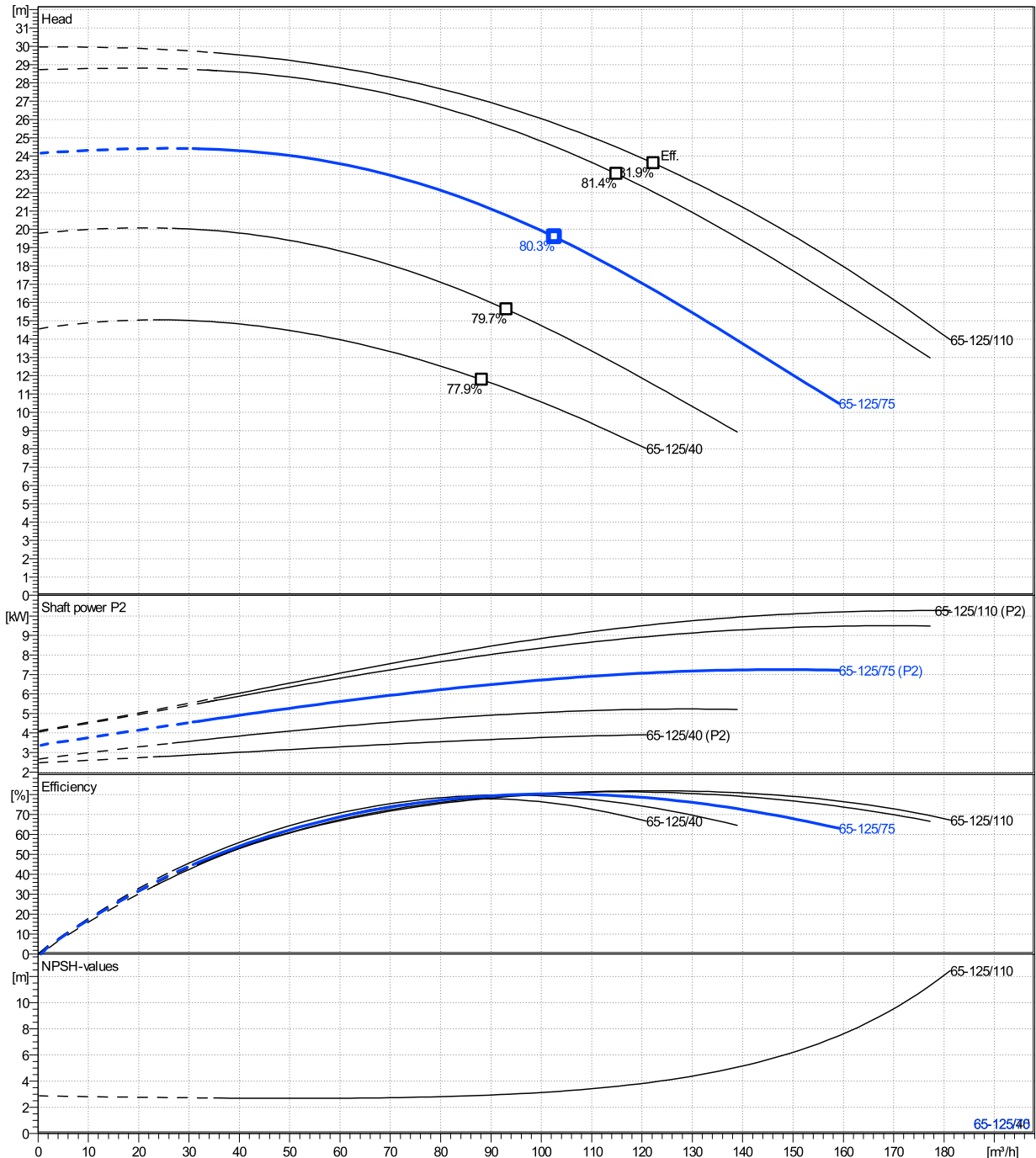
	Ø mm	Pump capacity			Pump head		Shaft power P2			Frequency	Hz	50
		Operating range Min. m³/h	Max. m³/h	η Max. m³/h	H(Q=0) m	η Max. m	P2(Q=0) kW	Max. kW	η Max. kW	Operating speed	rpm	2920
actual	137	31.9	159	103	24.2	19.6	7.25	6.77	Nominal flow	m³/h	0	
Min.	0	/	/	88.2	14.6	11.8	/	3.65	Nominal head	m	0	
Max.	148	/	/	122	30	23.6	/	9.56	Inlet pressure	kPa	0	
									Static head	m	0	

Power datas referred to:

hydr. Performance acceptance acc. To EN ISO 9906 Class Grade 3B

Water, pure [100%] ; 4°C; 1000kg/m³; 1.57mm²/s

MEI: N.A - according to Ecodesign Directive 2009/125/EC and Regulation (EU) No.547/2012



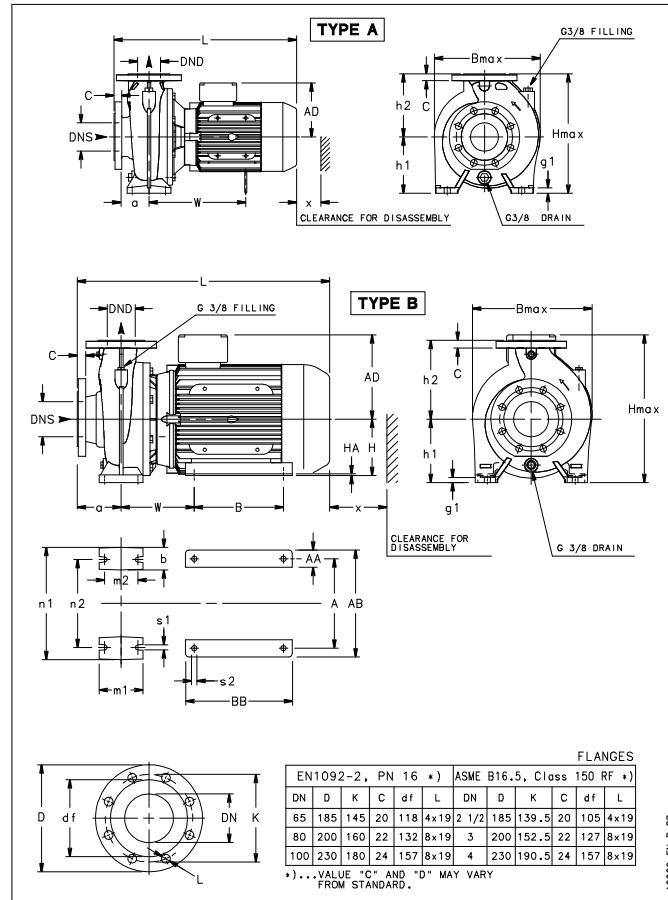
NSCE 65-125/75/P25VCC4

Dimensions

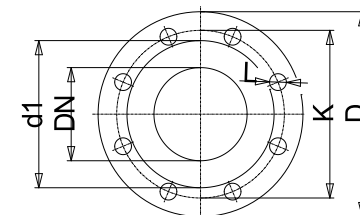
Company name
Contact
Phone number
e-mail address

Extended shaft
2 poles motor
PLM 132 B14 7,5 kW

Electrical and dimensional data refer to IE3 motor



A0009-ENL_B_DD



Value C, D may vary from Standard

Dimensions [mm]

a	100
AD	191
B max	300
b	65
DND	65
DNS	80
g1	16
H max	351
h1	160
h2	180
L	569
m1	125
m2	95
n1	280
n2	212
s1	14
Type	A
W	307
x	100

Weight	
Total weight	82 kg

Connections			
Suction nozzle		Discharge nozzle	
DN 80		DN 65	
PN 16		PN 16	
EN1092-2		EN1092-2	
C	22	C	20
D	200	D	185
df	132	df	118
DN	80	DN	65
K	160	K	145
L	8 x 19	L	4 x 19

Dimensions and weight without obligation

Project	Xylect-20123544
Block	NSCE 65-125/110/P25VCC4

Created by
Created on 10/30/2024

Last update 10/30/2024