

NSCE 65-160/150/P25VCC4

Technical data

Company name
Contact
Phone number
e-mail address

Operating data				
1	Pumpe type	Single head pump	Fluid	Water, pure
2	No. of pumps	1	Operating temperature t A	°C 4
3	Nominal flow	m³/h 0	Max / Min Operating Temperature mech. Seal	°C 120 / -25
4	Nominal head	m 0	pH-value at t A	7
5	Static head	m 0	Density at t A	kg/m³ 1000
6	Inlet pressure	kPa 0	Kin. viscosity at t A	mm²/s 1.569
7	Environmental temperature	°C 20	Vapor pressure at t A	kPa 100
8	Available system NPSH	m 0	Altitude	0

Pump data				
9	Lubrication	Standard, Grease lubrication [Std]		
10	Execution	2 poles motor		
11	Design	Horizontal		
12	Operating speed	2940 rpm	Stages	1
13	Suction nozzle	DN 80 /	PN 16 /	EN1092-2
14	Discharge nozzle	DN 65 /	PN 16 /	EN1092-2
15	Max. casing pressure	kPa		
16	Max. working pressure	kPa	416.1	
17	Impeller type	Radial impeller		
18	Head H(Q=0)	m	42	
19	Max. shaft power	kW	15.3	
20	Pump weight	kg		
21	Total weight	kg	133.0	

Materials				
22		Pump	Shaft Seal	
23	Volute Casing	Cast Iron	Single mechanical seal, without shaft sleeve	
24	Casing Cover	Cast Iron	eMG12 - Ø28mm	BQ7EGG-WA
25	Impeller	Cast Iron	Mechanical seal diameter	28 mm
26	Shaft	Stainless steel	1. Rotating ring	Carbon graphite resin impregnated
27	Wear ring	Stainless steel	2. Stationary ring	SiC, silicon carbide, sintered press.less
28	Impeller lock nut and washer	Stainless steel	3. Secondary seal	Ethylene propylene rubber (EPDM)
29	Impeller key	Stainless steel	4. Springs	CrNiMo - Steel
30	Fill and drain plugs	Stainless steel	5. Others	EPDM - WRAS
31			Gaskets of the pump	Ethylene propylene rubber (EPDM)
32				
33				
34				
35				
36				
37				
38				
39				
40				
41				

Motor data				
Electrical and dimensional data refer to IE3 motor				
42	Manufacturer	Lowara		
43	Specific design	IE3 3ph Flange Motor		
44	Type	PLM 160 B34 15 kW		
45	Rated power	15 kW	Rated current	26.6 A
46	Nominal speed	2940 rpm	Rated voltage	400 V
47	Frame size	160	Service factor	1
48	Weight	kg 102.0	Degree of protection	IP55

Remarks				
49				
50				
50				
52				

NSCE 65-160/150/P25VCC4

Performance curve

Company name
Contact
Phone number
e-mail address

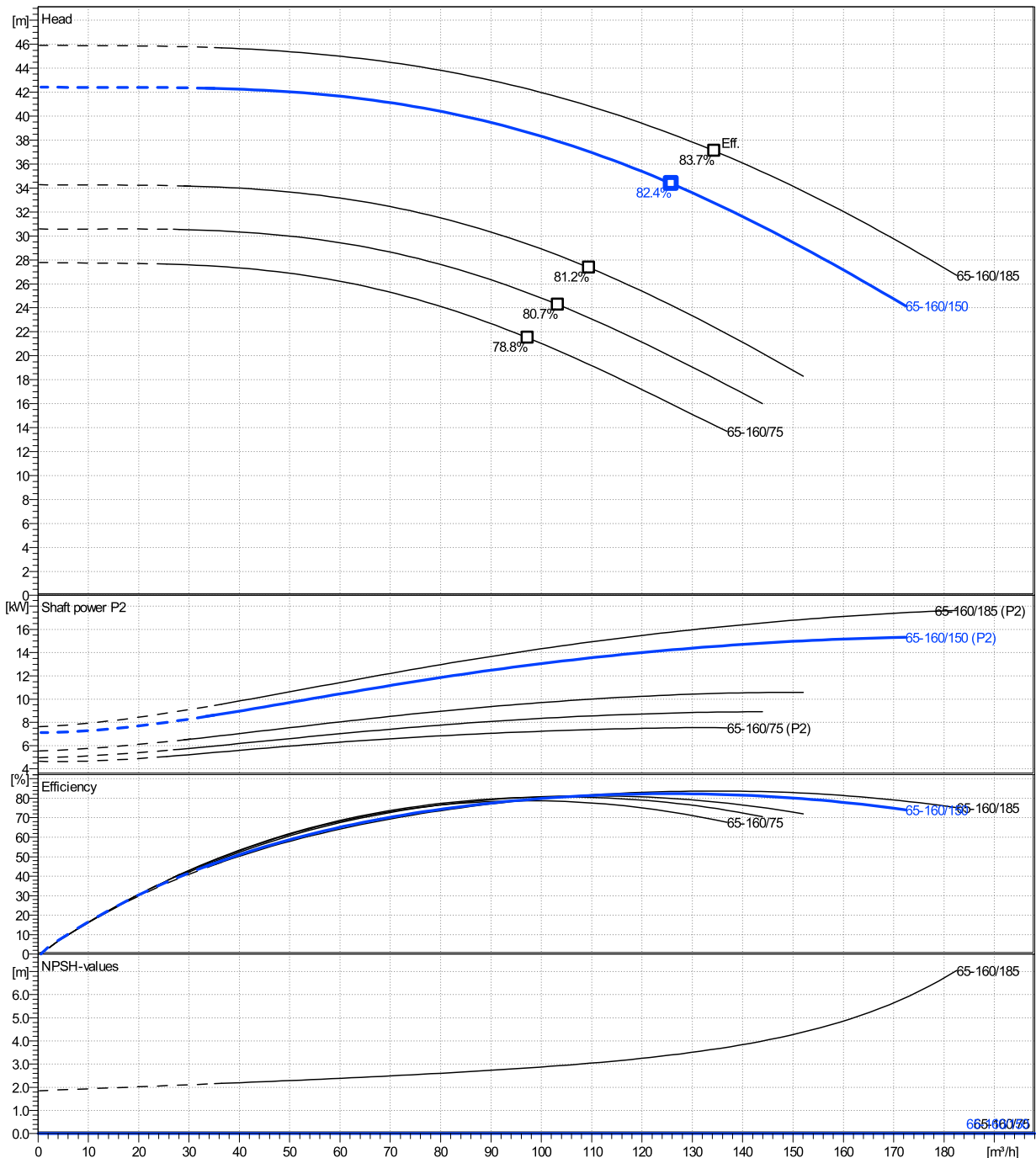
	Ø mm	Pump capacity			Pump head		Shaft power P2			Frequency	Hz	50
		Operating range Min. m³/h	Max. m³/h	η Max. m³/h	H(Q=0) m	η Max. m	P2(Q=0) kW	Max. kW	η Max. kW	Operating speed	rpm	2940
actual	175	35	172	126	42.4	34.4	15.3	14.2	Nominal flow	m³/h	0	
Min.	0	/	/	97.3	27.8	21.5	/	7.19	Nominal head	m	0	
Max.	180	/	/	134	45.9	37.1	/	16.2	Inlet pressure	kPa	0	
									Static head	m	0	

Power datas referred to:

hydr. Performance acceptance acc. To EN ISO 9906 Class Grade 3B

Water, pure [100%] ; 4°C; 1000kg/m³; 1.57mm²/s

MEI: N.A - according to Ecodesign Directive 2009/125/EC and Regulation (EU) No.547/2012



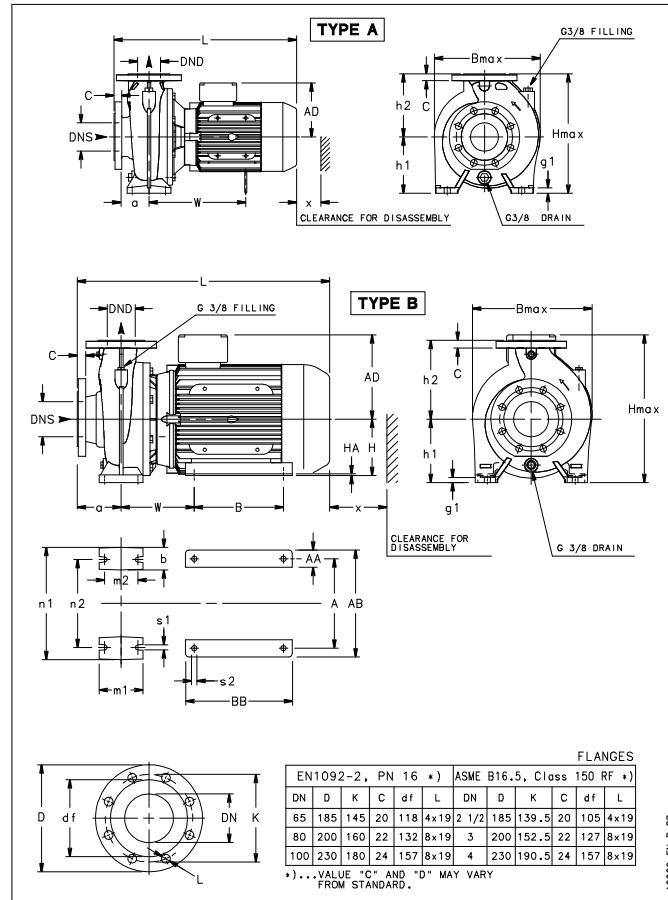
NSCE 65-160/150/P25VCC4

Dimensions

Company name
Contact
Phone number
e-mail address

Extended shaft
2 poles motor
PLM 160 B34 15 kW

Electrical and dimensional data refer to IE3 motor



Dimensions [mm]

A (Motor)	254	Type	B
a	100	W	208
AA	49	x	108
AB	304		
AD	240		
B (Motor)	210		
B max	335		
b	65		
BB	304		
DND	65		
DNS	80		
g1	16		
H (Motor)	160		
H max	400		
h1	160		
h2	200		
HA	5		
L	694		
m1	125		
m2	95		
n1	280		
n2	212		
s1	14		
s2	15		

Weight

Total weight	133 kg
---------------------	---------------

Connections

Suction nozzle		Discharge nozzle	
DN 80		DN 65	
PN 16		PN 16	
EN1092-2		EN1092-2	
C	22	C	20
D	200	D	185
df	132	df	118
DN	80	DN	65
K	160	K	145
L	8 x 19	L	4 x 19

Dimensions and weight without obligation

Project	Xylect-20124328
Block	NSCE 65-160/185/P25VCC4

Created by
Created on 10/30/2024

Last update 10/30/2024