



# NSCE 65-200/110/P25VCC4

## Performance curve

Company name  
Contact  
Phone number  
e-mail address

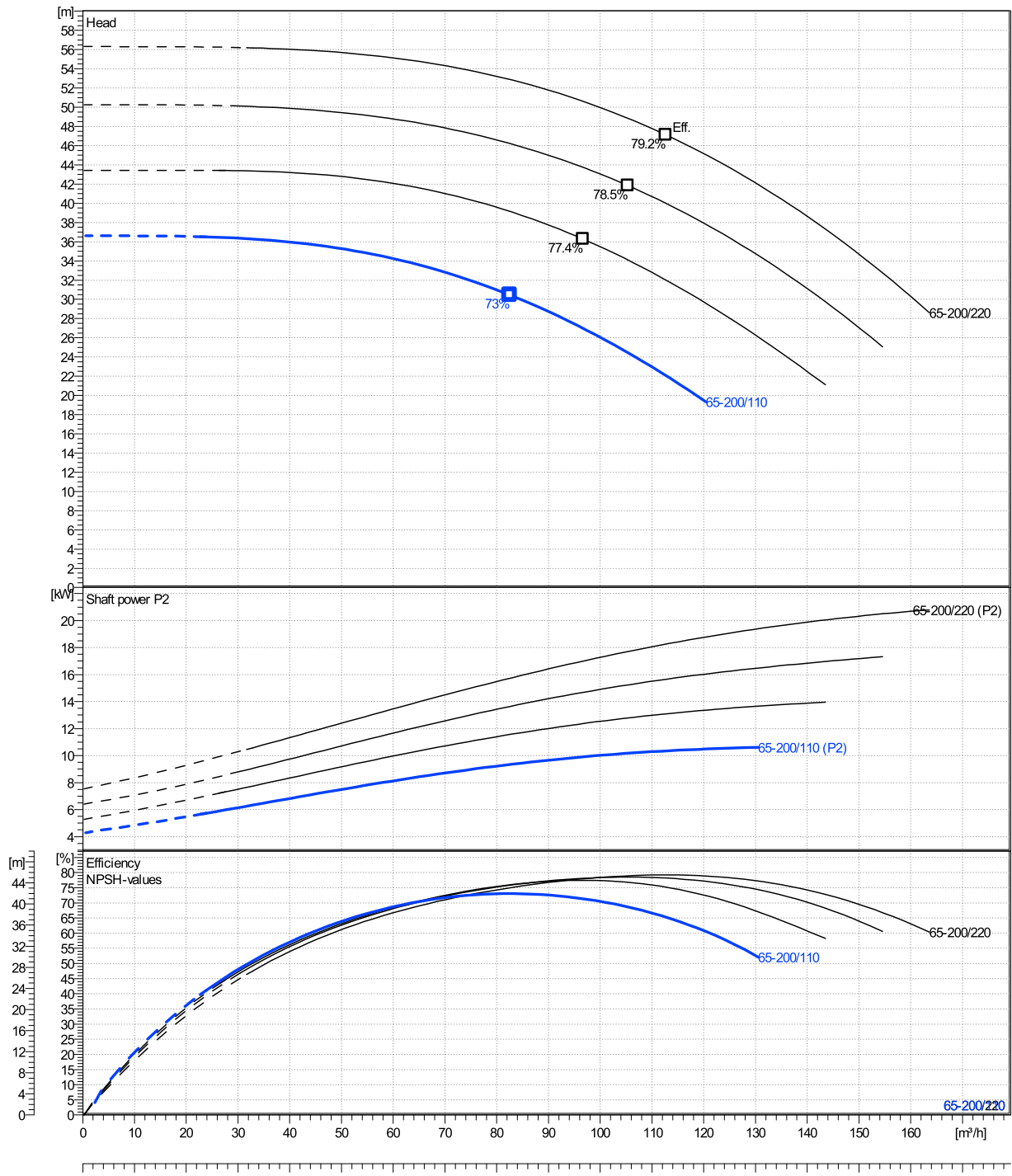
	Ø mm	Pump capacity			Pump head		Shaft power P2			Frequency		Hz	50
		Operating range Min. m³/h	Max. m³/h	η Max. m³/h	H(Q=0) m	η Max. m	P2(Q=0) kW	Max. kW	η Max. kW	Operating speed rpm	2910		
actual	165	23.9	120	82.5	36.6	30.5		10.6	9.34	Nominal flow	m³/h	0	
Min.	0	/	/	82.5	36.6	30.5		/	9.34	Nominal head	m	0	
Max.	199	/	/	113	56.3	47.1		/	18.3	Inlet pressure	kPa	0	
										Static head	m	0	

**Power datas referred to:**

hydr. Performance acceptance acc. To EN ISO 9906 Class Grade 3B

Water, pure [100%] ; 4°C; 1000kg/m³; 1.57mm²/s

MEI: N.A - according to Ecodesign Directive 2009/125/EC and Regulation (EU) No.547/2012



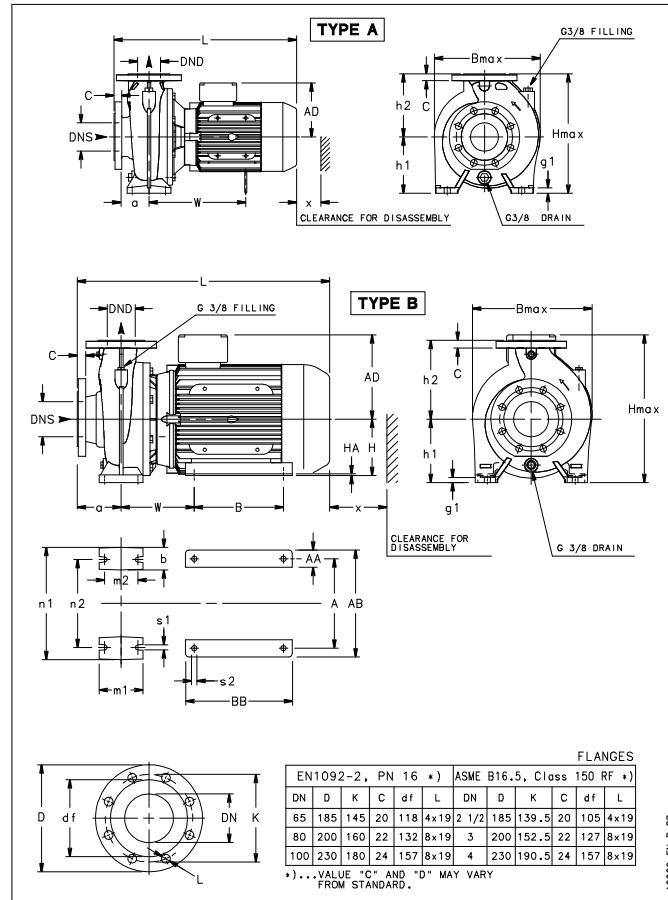
# NSCE 65-200/110/P25VCC4

## Dimensions

Company name  
Contact  
Phone number  
e-mail address

Extended shaft  
2 poles motor  
PLM 132 B14 11 kW

Electrical and dimensional data refer to IE3 motor



### Dimensions [ mm ]

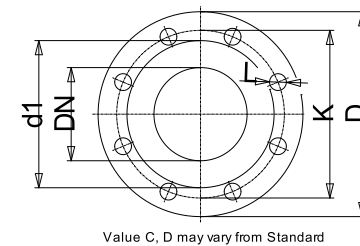
a	100
AD	191
B max	348
b	65
DND	65
DNS	80
g1	16
H max	405
h1	180
h2	225
L	605
m1	125
m2	95
n1	320
n2	250
s1	14
Type	A
W	343
x	118

### Weight

<b>Total weight</b>	<b>101 kg</b>
---------------------	---------------

### Connections

Suction nozzle		Discharge nozzle	
<b>DN 80</b>		<b>DN 65</b>	
<b>PN 16</b>		<b>PN 16</b>	
<b>EN1092-2</b>		<b>EN1092-2</b>	
C	22	C	20
D	200	D	185
df	132	df	118
DN	80	DN	65
K	160	K	145
L	8 x 19	L	4 x 19



Value C, D may vary from Standard

### Dimensions and weight without obligation

<b>Project</b>	Xylect-20123544
<b>Block</b>	NSCE 65-200/220/P25VCC4

Created by  
Created on 10/30/2024

Last update 10/30/2024