

NSCE 65-200/30/P45RCC4

Technical data

Company name
Contact
Phone number
e-mail address

Operating data			
1	Pumpe type	Single head pump	Fluid Water, pure
2	No. of pumps	1	Operating temperature t A °C 4
3	Nominal flow	m ³ /h 0	Max / Min Operating Temperature mech. Seal °C 120 / -25
4	Nominal head	m 0	pH-value at t A 7
5	Static head	m 0	Density at t A kg/m ³ 1000
6	Inlet pressure	kPa 0	Kin. viscosity at t A mm ² /s 1.569
7	Environmental temperature	°C 20	Vapor pressure at t A kPa 100
8	Available system NPSH	m 0	Altitude 0

Pump data			
9	Lubrication	Standard, Grease lubrication [Std]	
10	Execution	4 poles motor	
11	Design	Horizontal	
12	Operating speed	1450 rpm	Stages 1
13	Suction nozzle	DN 80 / PN 16 / EN1092-2	Impeller Ø
14	Discharge nozzle	DN 65 / PN 16 / EN1092-2	
15	Max. casing pressure	kPa	Flow
16	Max. working pressure	kPa 133.9	
17	Impeller type	Radial impeller	
18	Head H(Q=0)	m 14	Head
19	Max. shaft power	kW 2.5	
20	Pump weight	kg	Shaft power kW
21	Total weight	kg 71.0	
			Efficiency %
			NPSH 3% m

Materials			
22		Pump	Shaft Seal
23	Volute Casing	Cast Iron	Single mechanical seal, without shaft sleeve
24	Casing Cover	Cast Iron	eMG12 - Ø28mm BQ7EGG-WA
25	Impeller	Cast Iron	Mechanical seal diameter 28 mm
26	Shaft	Stainless steel	1. Rotating ring Carbon graphite resin impregnated
27	Wear ring	Stainless steel	2. Stationary ring SiC, silicon carbide, sintered press.less
28	Impeller lock nut and washer	Stainless steel	3. Secondary seal Ethylene propylene rubber (EPDM)
29	Impeller key	Stainless steel	4. Springs CrNiMo - Steel
30	Fill and drain plugs	Stainless steel	5. Others EPDM - WRAS
31			Gaskets of the pump Ethylene propylene rubber (EPDM)
32			
33			
34			
35			
36			
37			
38			
39			
40			
41			

Motor data			
42	Manufacturer	Lowara	
43	Specific design	IE3 3ph Flange Motor	
44	Type	PLM 100 B14 3 kW	
45	Rated power	3 kW	Rated current 6.62 A
46	Nominal speed	1450 rpm	Rated voltage 400 V
47	Frame size	100	Service factor 1
48	Weight	kg 32.0	Degree of protection IP55

Remarks			
49			
50			
50			
52			

NSCE 65-200/30/P45RCC4

Performance curve

Company name
Contact
Phone number
e-mail address

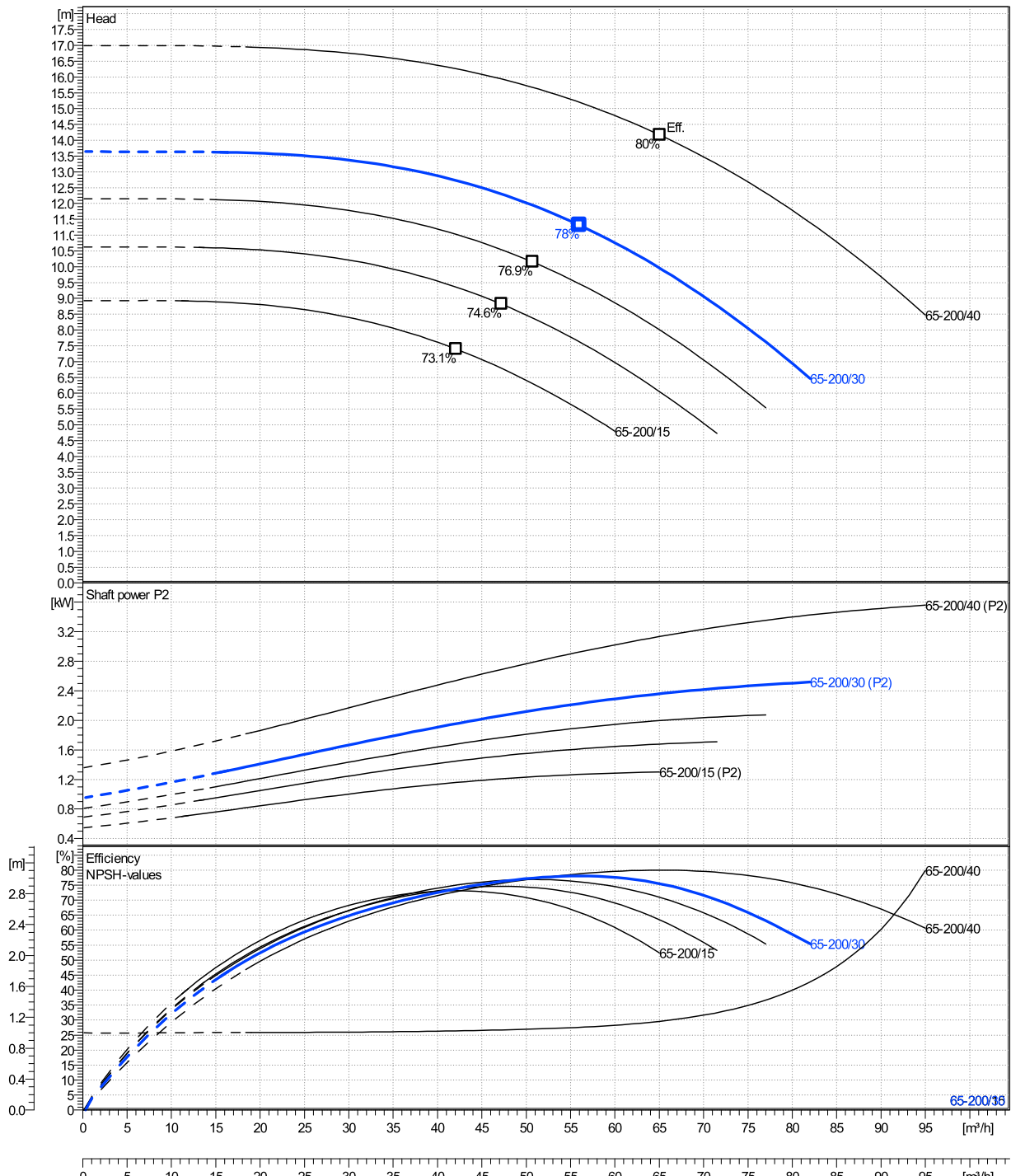
	Ø mm	Pump capacity			Pump head		Shaft power P2			Frequency		Hz	50
		Operating range Min. m³/h	Max. m³/h	η Max. m³/h	H(Q=0) m	η Max. m	P2(Q=0) kW	Max. kW	η Max. kW	Operating speed rpm	Nominal flow m³/h		
actual	199	16.4	82	56	13.6	11.3		2.52	2.23	Nominal head	m	0	
Min.	0	/	/	42.1	8.93	7.4		/	1.16	Inlet pressure	kPa	0	
Max.	220	/	/	65.1	17	14.2		/	3.14	Static head	m	0	

Power datas referred to:

hydr. Performance acceptance acc. To EN ISO 9906 Class Grade 3B

Water, pure [100%] ; 4°C; 1000kg/m³; 1.57mm²/s

MEI: N.A - according to Ecodesign Directive 2009/125/EC and Regulation (EU) No.547/2012



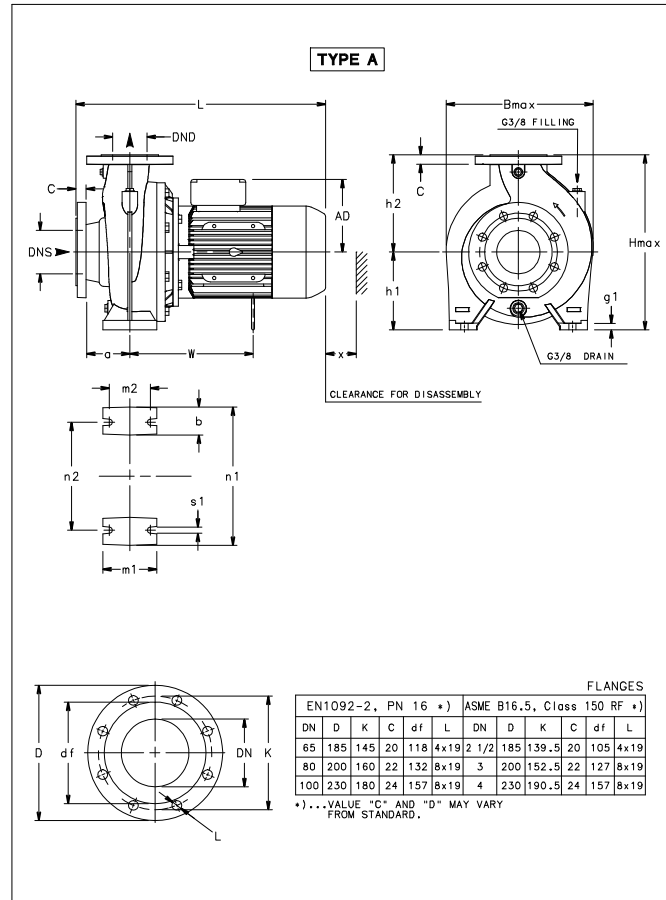
NSCE 65-200/30/P45RCC4

Dimensions

Company name
Contact
Phone number
e-mail address

Extended shaft
4 poles motor
PLM 100 B14 3 kW

Electrical and dimensional data refer to IE3 motor



Dimensions		[mm]	
a	100		
AD	168		
B max	348		
b	65		
DND	65		
DNS	80		
g1	16		
H max	405		
h1	180		
h2	225		
L	553		
m1	125		
m2	95		
n1	320		
n2	250		
s1	14		
Type	A		
W	285		
x	118		

Weight	
Total weight	71 kg

Connections			
Suction nozzle		Discharge nozzle	
DN 80		DN 65	
PN 16		PN 16	
EN1092-2		EN1092-2	
C	22	C	20
D	200	D	185
df	132	df	118
DN	80	DN	65
K	160	K	145
L	8 x 19	L	4 x 19

Dimensions and weight without obligation

Project	Xylect-20123544
Block	NSCE 65-200/220/P25VCC4

Created by
Created on 10/30/2024

Last update 10/30/2024