

NSCE40-125/11/P46PCS4

Technical data

Company name
Contact
Phone number
e-mail address

Operating data						
1	Pumpe type	Single head pump		Fluid	Water, pure	
2	No. of pumps	1		Operating temperature t A	°F	39.2
3	Nominal flow	US g.p.m.	0	Max / Min Operating Temperature mech. Seal	°F	120 / -25
4	Nominal head	ft	0	pH-value at t A		7
5	Static head	ft	0	Density at t A	lb/ft ³	62.4
6	Inlet pressure	psi	0	Kin. viscosity at t A	ft ² /s	1.689E-5
7	Environmental temperature	°F	68	Vapor pressure at t A	psi	14.5
8	Available system NPSH	ft	0	Altitude		0

Pump data							
9	Lubrication	Standard, Grease lubrication [Std]					
10	Execution	4 poles motor					
11	Design	Horizontal				Impeller Ø	
12	Operating speed	1740 rpm	Stages	1			
13	Suction nozzle	DN 65	/	PN 16	/	EN1092-2	
14	Discharge nozzle	DN 40	/	PN 16	/	EN1092-2	
15	Max. casing pressure	psi		Flow	Max-	US g.p.m.	
16	Max. working pressure	psi	13.5		Min-	US g.p.m.	39.8
17	Impeller type	Radial impeller				Head	
18	Head H(Q=0)	ft	31				Nominal
19	Max. shaft power	hp	1.2				at Qmax
20	Pump weight	kg				at Qmin	
21	Total weight	lb	90.4			ft	
				Shaft power	hp		
				Efficiency	%		
				NPSH 3%	ft		

Materials						
22		Pump			Shaft Seal	
23	Volute Casing	Cast Iron			Single mechanical seal, without shaft sleeve	
24	Casing Cover	Cast Iron			eMG12 - Ø22mm	BQ7EGG-WA
25	Impeller	Fabricated Stainless Steel			Mechanical seal diameter	7/8 inch
26	Shaft	Stainless steel			1. Rotating ring	Carbon graphite resin impregnated
27	Wear ring	Stainless steel			2. Stationary ring	SiC, silicon carbide, sintered press.less
28	Impeller lock nut and washer	Stainless steel			3. Secondary seal	Ethylene propylene rubber (EPDM)
29	Impeller key	Stainless steel			4. Springs	CrNiMo - Steel
30	Fill and drain plugs	Stainless steel			5. Others	EPDM - WRAS
31					Gaskets of the pump	Ethylene propylene rubber (EPDM)
32						
33						
34						
35						
36						
37						
38						
39						
40						
41						

Motor data					
Electrical and dimensional data refer to IE3 motor					
42	Manufacturer	Lowara			
43	Specific design	IE3 3ph Flange Motor			
44	Type	PLM 90 B14 1,1 kW			
45	Rated power	1.4751 hp	Rated current	4.61 A	
46	Nominal speed	1740 rpm	Rated voltage	220 V	
47	Frame size	90	Service factor	1	
48	Weight	lb 38.4	Degree of protection	IP55	

Remarks					
49					
50					
50					
52					

NSCE40-125/11/P46PCS4

Performance curve

Company name
Contact
Phone number
e-mail address

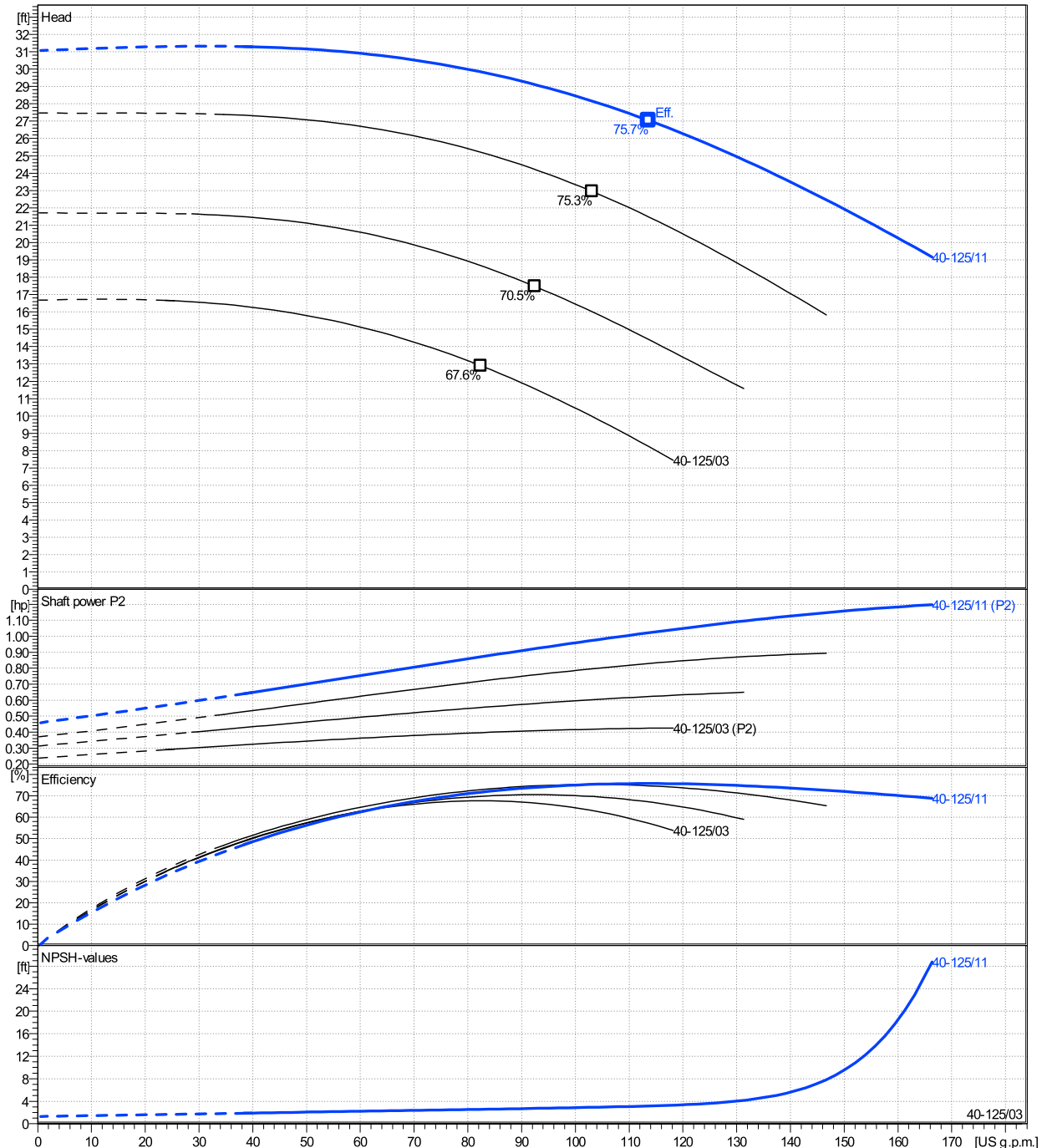
	Ø mm	Pump capacity			Pump head		Shaft power P2			Frequency		Hz	60
		Operating range Min. US g.p.m.	Max. US g.p.m.	η Max. US g.p.m.	H(Q=0) ft	η Max. ft	P2(Q=0) hp	Max. hp	η Max. hp	Operating speed rpm	1740		
actual	5 5/16	39.8	166	114	31.1	27		1.2	1.02	Nominal flow	US g.p.m.	0	
Min.	0	/	/	82.4	16.7	12.9		/	0.397	Nominal head	ft	0	
Max.	5 5/16	/	/	114	31.1	27		/	1.02	Inlet pressure	psi	0	
										Static head	ft	0	

Power datas referred to:

hydr. Performance acceptance acc. To EN ISO 9906 Class Grade 3B

Water, pure [100%] ; 39.2°F; 62.4lb/ft³; 1.69E-5ft²/s

MEI: N.A - according to Ecodesign Directive 2009/125/EC and Regulation (EU) No.547/2012



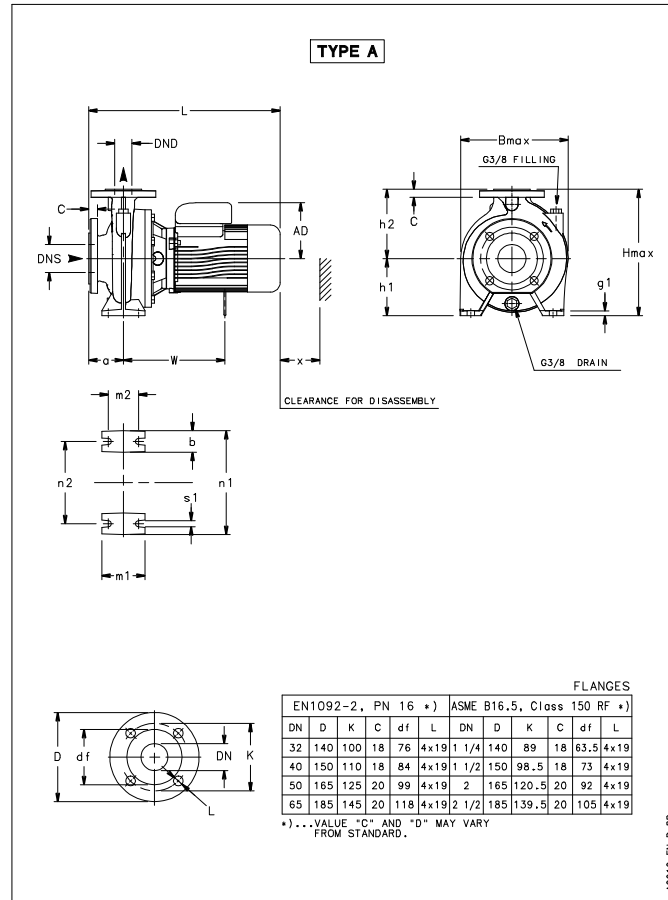
NSCE40-125/11/P46PCS4

Dimensions

Company name
Contact
Phone number
e-mail address

Extended shaft
4 poles motor
PLM 90 B14 1,1 kW

Electrical and dimensional data refer to IE3 motor



Dimensions [inch]

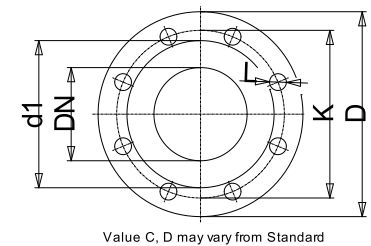
a	3 ¹ / ₈		
AD	5 ¹ / ₄		
B max	9 ⁹ / ₁₆		
b	1 ¹⁵ / ₁₆		
DND	1 ⁹ / ₁₆		
DNS	2 ⁹ / ₁₆		
g1	9 ¹ / ₁₆		
H max	9 ¹⁵ / ₁₆		
h1	4 ⁷ / ₁₆		
h2	5 ¹ / ₂		
L	18 ¹³ / ₁₆		
m1	3 ¹⁵ / ₁₆		
m2	2 ³ / ₄		
n1	8 ¹ / ₄		
n2	6 ⁵ / ₁₆		
s1	9 ¹ / ₁₆		
Type	A		
W	9 ⁵ / ₈		
x	3 ³ / ₄		

Weight

Total weight	41 kg
---------------------	--------------

Connections

Suction nozzle		Discharge nozzle	
DN 65		DN 40	
PN 16		PN 16	
EN1092-2		EN1092-2	
C	1 ³ / ₁₆	C	1 ¹ / ₁₆
D	7 ⁵ / ₁₆	D	5 ⁷ / ₈
df	4 ⁵ / ₈	df	3 ⁵ / ₁₆
DN	2 ⁹ / ₁₆	DN	1 ⁹ / ₁₆
K	5 ¹¹ / ₁₆	K	4 ⁵ / ₁₆
L	4 x 19	L	4 x 19



Note:
Weight and Dimensions of selected Hydrovar are NOT considered.
Please refer to additional datasheet.

Dimensions and weight without obligation

Project		Created by		Last update	1/9/2025
Block	NSCE40-125/75/P26PCS4	Created on	1/9/2025		