

# NSCE40-160/07/X46RCS4

## Technical data

Company name  
Contact  
Phone number  
e-mail address

Operating data					
1	Pumpe type	Single head pump		Fluid	Water, pure
2	No. of pumps	1		Operating temperature t A	°F 39.2
3	Nominal flow	US g.p.m.	0	Max / Min Operating Temperature mech. Seal	°F 120 / -25
4	Nominal head	ft	0	pH-value at t A	7
5	Static head	ft	0	Density at t A	lb/ft <sup>3</sup> 62.4
6	Inlet pressure	psi	0	Kin. viscosity at t A	ft <sup>2</sup> /s 1.689E-5
7	Environmental temperature	°F	68	Vapor pressure at t A	psi 14.5
8	Available system NPSH	ft	0	Altitude	0

Pump data						
9	Lubrication	Standard, Grease lubrication [Std]				
10	Execution	4 poles motor		Impeller Ø	Max. inch	6 7/16
11	Design	Horizontal			designed inch	5
12	Operating speed	1735 rpm	Stages 1		Min. inch	5
13	Suction nozzle	DN 65 /	PN 16 /	Flow	Nominal US g.p.m.	
14	Discharge nozzle	DN 40 /	PN 16 /		Max- US g.p.m.	131
15	Max. casing pressure	psi		Min- US g.p.m.	27.9	
16	Max. working pressure	psi	11	Head	Nominal ft	
17	Impeller type	Radial impeller			at Qmax ft	14.9
18	Head H(Q=0)	ft	25		at Qmin ft	26.2
19	Max. shaft power	hp	.9	Shaft power	hp	
20	Pump weight	kg		Efficiency	%	
21	Total weight	lb	75.0	NPSH 3%	ft	

Materials					
22		<b>Pump</b>		<b>Shaft Seal</b>	
23	Volute Casing	Cast Iron		Single mechanical seal, without shaft sleeve	
24	Casing Cover	Cast Iron		eMG12 - Ø22mm	BQ7EGG-WA
25	Impeller	Fabricated Stainless Steel		Mechanical seal diameter	7/8 inch
26	Shaft	Stainless steel		1. Rotating ring	Carbon graphite resin impregnated
27	Wear ring	Stainless steel		2. Stationary ring	SiC, silicon carbide, sintered press. less
28	Impeller lock nut and washer	Stainless steel		3. Secondary seal	Ethylene propylene rubber (EPDM)
29	Impeller key	Stainless steel		4. Springs	CrNiMo - Steel
30	Fill and drain plugs	Stainless steel		5. Others	EPDM - WRAS
31				Gaskets of the pump	Ethylene propylene rubber (EPDM)
32					
33					
34					
35					
36					
37					
38					
39					
40					
41					

Motor data					
42	Manufacturer	Xylem			
43	Specific design	IE3 3ph Flange Motor			
44	Type	LLM490RB14/307			
45	Rated power	1.0058 hp	Rated current	2.6 A	
46	Nominal speed	1735 rpm	Rated voltage	265 V	
47	Frame size	90R	Service factor	1	
48	Weight	lb 24.3	Degree of protection	IP55	

Remarks					
49					
50					
50					
52					

# NSCE40-160/07/X46RCS4

## Performance curve

Company name  
Contact  
Phone number  
e-mail address

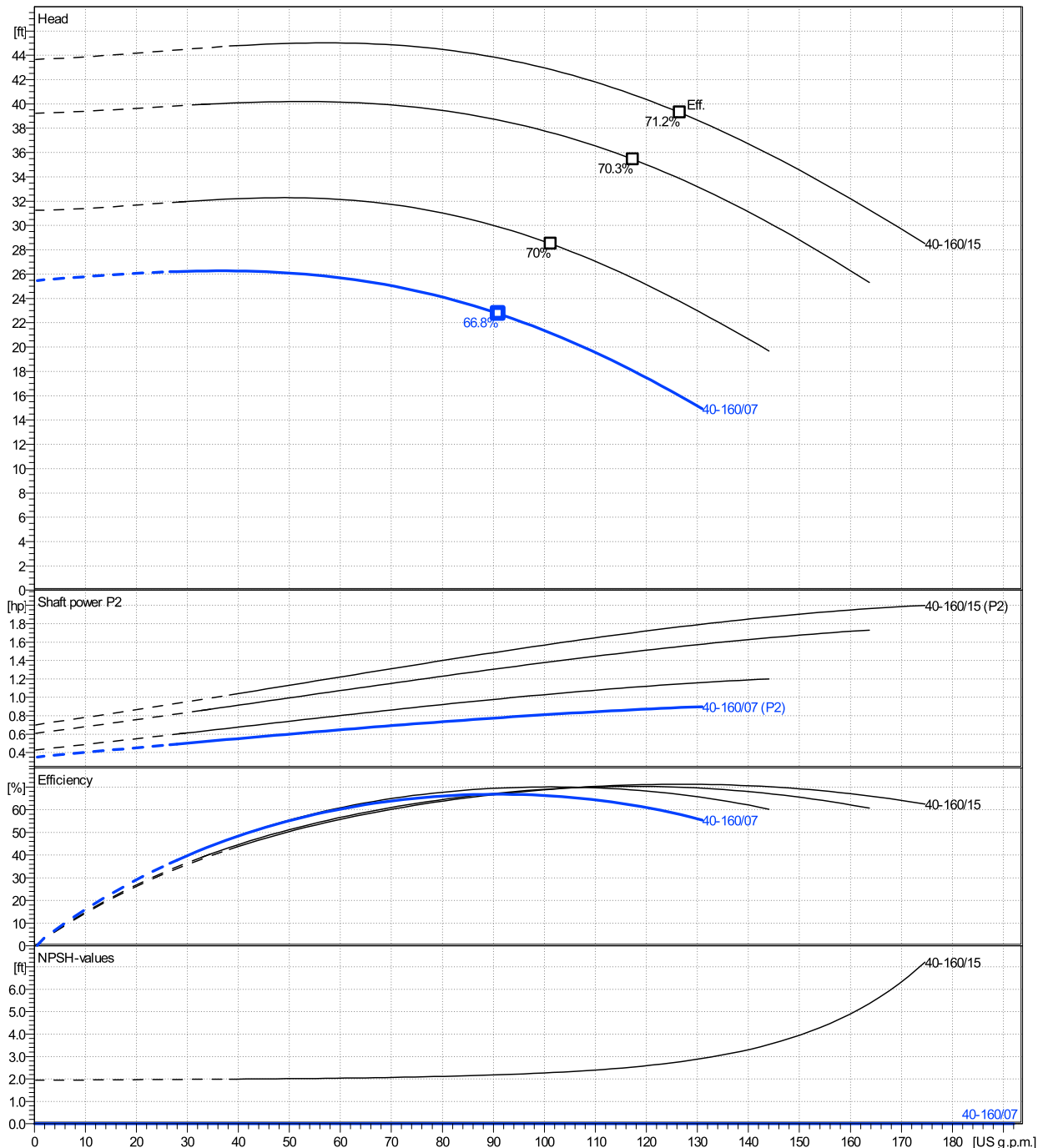
	Ø mm	Pump capacity Operating range η			Pump head H(Q=0) η		Shaft power P2 P2(Q=0) Max. η			Frequency Hz	
		Min. US g.p.m.	Max. US g.p.m.	Max. US g.p.m.	ft	ft	hp	hp	hp	rpm	
actual	5	27.9	131	91	25.5	22.7	0.898	0.778	60	1735	
Min.	0	/	/	91	25.5	22.7	/	0.778		0	
Max.	6 7/16	/	/	127	43.7	39.3	/	1.77		0	

**Power datas referred to:**

hydr. Performance acceptance acc. To EN ISO 9906 Class Grade 3B

Water, pure [100%] ; 39.2°F; 62.4lb/ft³; 1.69E-5ft²/s

MEI: N.A - according to Ecodesign Directive 2009/125/EC and Regulation (EU) No.547/2012

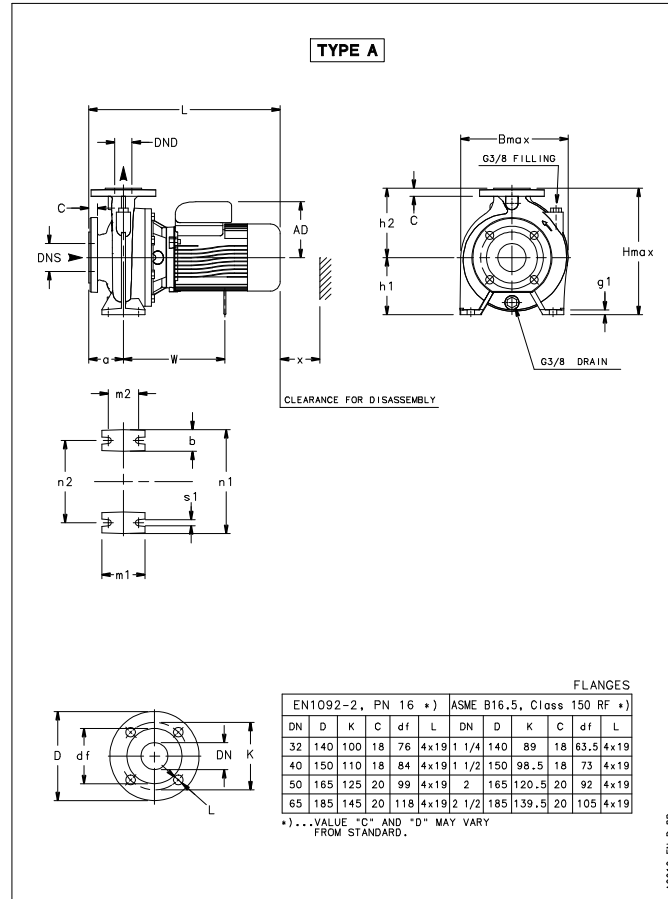


**NSCE40-160/07/X46RCS4**

**Dimensions**

Company name  
Contact  
Phone number  
e-mail address

Extended shaft  
4 poles motor  
LLM490RB14/307



Note:  
Weight and Dimensions of selected Hydrovar are NOT considered.  
Please refer to additional datasheet.

**Dimensions and weight without obligation**

<b>Project</b>	<b>Block</b>	NSCE40-160/110/P26PCS4	<b>Created by</b>	<b>Created on</b>	1/9/2025	<b>Last update</b>	1/9/2025
----------------	--------------	------------------------	-------------------	-------------------	----------	--------------------	----------

**Dimensions [ inch ]**

a	3 <sup>1</sup> / <sub>8</sub>		
AD	5 <sup>1</sup> / <sub>16</sub>		
B max	9 <sup>13</sup> / <sub>16</sub>		
b	1 <sup>15</sup> / <sub>16</sub>		
DND	1 <sup>9</sup> / <sub>16</sub>		
DNS	2 <sup>9</sup> / <sub>16</sub>		
g1	9 <sup>9</sup> / <sub>16</sub>		
H max	11 <sup>1</sup> / <sub>2</sub>		
h1	5 <sup>3</sup> / <sub>16</sub>		
h2	6 <sup>5</sup> / <sub>16</sub>		
L	16 <sup>3</sup> / <sub>16</sub>		
m1	3 <sup>15</sup> / <sub>16</sub>		
m2	2 <sup>3</sup> / <sub>4</sub>		
n1	9 <sup>9</sup> / <sub>16</sub>		
n2	7 <sup>1</sup> / <sub>2</sub>		
s1	9 <sup>9</sup> / <sub>16</sub>		
Type	A		
x	3 <sup>5</sup> / <sub>8</sub>		

**Weight**

<b>Total weight</b>	<b>34 kg</b>
---------------------	--------------

**Connections**

<b>Suction nozzle</b>		<b>Discharge nozzle</b>	
<b>DN 65</b>		<b>DN 40</b>	
<b>PN 16</b>		<b>PN 16</b>	
<b>EN1092-2</b>		<b>EN1092-2</b>	
C	1 <sup>3</sup> / <sub>16</sub>	C	1 <sup>1</sup> / <sub>16</sub>
D	7 <sup>5</sup> / <sub>16</sub>	D	5 <sup>7</sup> / <sub>8</sub>
df	4 <sup>5</sup> / <sub>8</sub>	df	3 <sup>5</sup> / <sub>16</sub>
DN	2 <sup>9</sup> / <sub>16</sub>	DN	1 <sup>9</sup> / <sub>16</sub>
K	5 <sup>11</sup> / <sub>16</sub>	K	4 <sup>5</sup> / <sub>16</sub>
L	4 x 19	L	4 x 19

