

NSCE65-125/15/P46PCC4

Technical data

Company name
Contact
Phone number
e-mail address

Operating data				
1	Pumpe type	Single head pump	Fluid	Water, pure
2	No. of pumps	1	Operating temperature t A	°F 39.2
3	Nominal flow	US g.p.m. 0	Max / Min Operating Temperature mech. Seal	°F 120 / -25
4	Nominal head	ft 0	pH-value at t A	7
5	Static head	ft 0	Density at t A	lb/ft³ 62.4
6	Inlet pressure	psi 0	Kin. viscosity at t A	ft²/s 1.689E-5
7	Environmental temperature	°F 68	Vapor pressure at t A	psi 14.5
8	Available system NPSH	ft 0	Altitude	0

Pump data				
9	Lubrication	Standard, Grease lubrication [Std]		
10	Execution	4 poles motor		
11	Design	Horizontal		
12	Operating speed	1734 rpm	Stages	1
13	Suction nozzle	DN 80 / PN 16 / EN1092-2	Impeller Ø	Max. inch 5 3/16
14	Discharge nozzle	DN 65 / PN 16 / EN1092-2		designed inch 5 3/16
15	Max. casing pressure	psi	Flow	Min. inch 4 7/16
16	Max. working pressure	psi 11		Nominal US g.p.m.
17	Impeller type	Radial impeller		Max- US g.p.m. 370.8
18	Head H(Q=0)	ft 25	Head	Min- US g.p.m. 83.8
19	Max. shaft power	hp 1.9		Nominal ft
20	Pump weight	kg		at Qmax ft 13.4
21	Total weight	lb 116.8	Shaft power	at Qmin ft 25.4
			Efficiency	hp
			NPSH 3%	%

Materials				
22		Pump	Shaft Seal	
23	Volute Casing	Cast Iron	Single mechanical seal, without shaft sleeve	
24	Casing Cover	Cast Iron	eMG12 - Ø22mm	BQ7EGG-WA
25	Impeller	Cast Iron	Mechanical seal diameter	7/8 inch
26	Shaft	Stainless steel	1. Rotating ring	Carbon graphite resin impregnated
27	Wear ring	Stainless steel	2. Stationary ring	SiC, silicon carbide, sintered press.less
28	Impeller lock nut and washer	Stainless steel	3. Secondary seal	Ethylene propylene rubber (EPDM)
29	Impeller key	Stainless steel	4. Springs	CrNiMo - Steel
30	Fill and drain plugs	Stainless steel	5. Others	EPDM - WRAS
31			Gaskets of the pump	Ethylene propylene rubber (EPDM)
32				
33				
34				
35				
36				
37				
38				
39				
40				
41				

Motor data				
Electrical and dimensional data refer to IE3 motor				
42	Manufacturer	Lowara		
43	Specific design	IE3 3ph Flange Motor		
44	Type	PLM 90 B14 1,5 kW		
45	Rated power	2.0115 hp	Rated current	6.34 A
46	Nominal speed	1734 rpm	Rated voltage	220 V
47	Frame size	90	Service factor	1
48	Weight	lb 44.1	Degree of protection	IP55

Remarks				
49				
50				
50				
52				

NSCE65-125/15/P46PCC4

Performance curve

Company name
Contact
Phone number
e-mail address

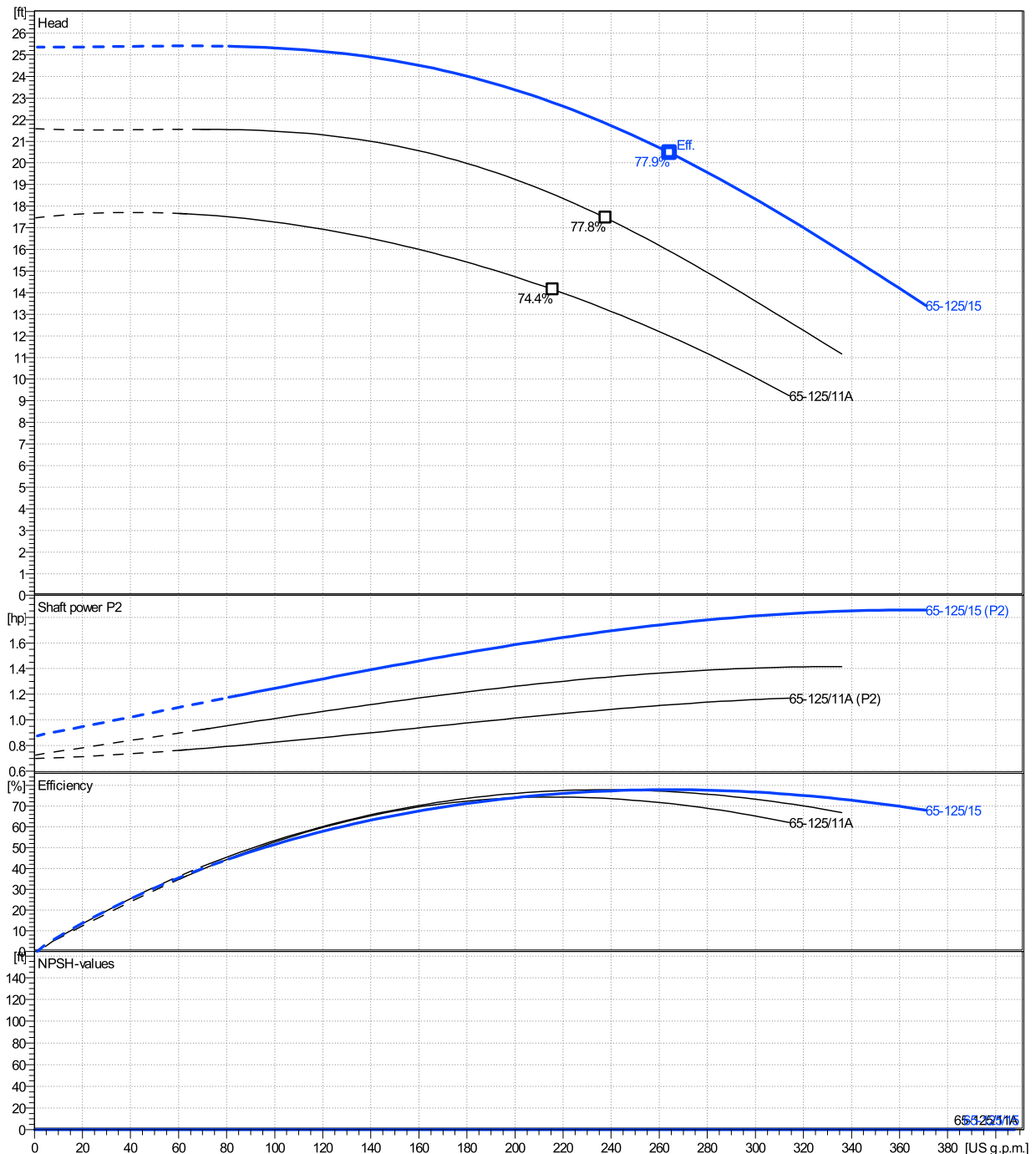
	Ø mm	Pump capacity Operating range η			Pump head H(Q=0) η		Shaft power P2 P2(Q=0) Max. η			Frequency Hz	
		Min. US g.p.m.	Max. US g.p.m.	Max. US g.p.m.	ft	ft	hp	hp	hp	rpm	
actual	5 3/16	83.8	371	264	25.4	20.5	1.86	1.75	1.75	1734	
Min.	0	/	/	216	17.5	14.1	/	1.04	1.04	0	
Max.	5 3/16	/	/	264	25.4	20.5	/	1.75	1.75	0	
										Nominal flow	US g.p.m.
										Nominal head	ft
										Inlet pressure	psi
										Static head	ft

Power datas referred to:

hydr. Performance acceptance acc. To EN ISO 9906 Class Grade 3B

Water, pure [100%] ; 39.2°F; 62.4lb/ft³; 1.69E-5ft²/s

MEI: N.A - according to Ecodesign Directive 2009/125/EC and Regulation (EU) No.547/2012



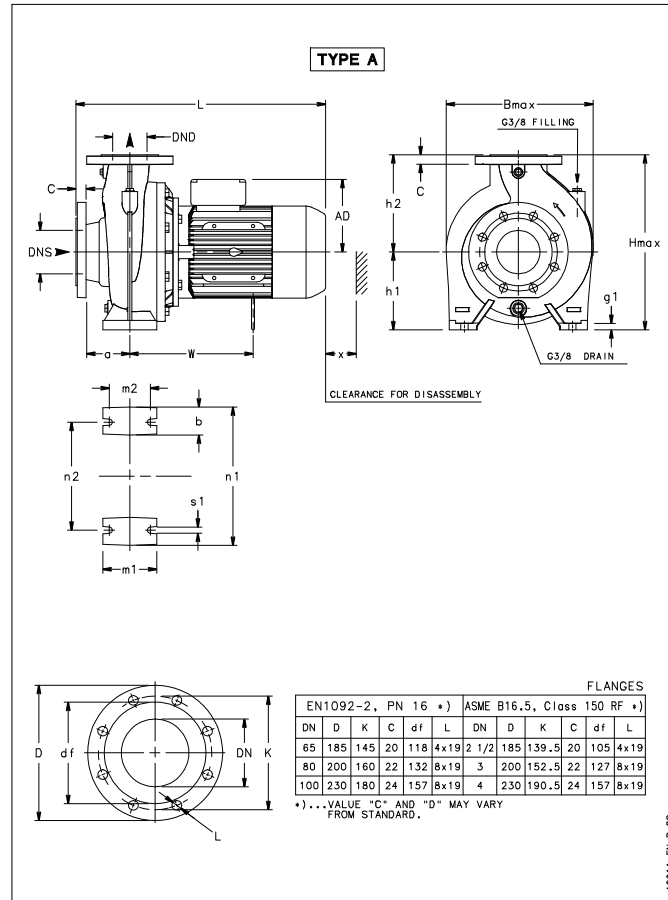
NSCE65-125/15/P46PCC4

Dimensions

Company name
Contact
Phone number
e-mail address

Extended shaft
4 poles motor
PLM 90 B14 1,5 kW

Electrical and dimensional data refer to IE3 motor



Dimensions [inch]

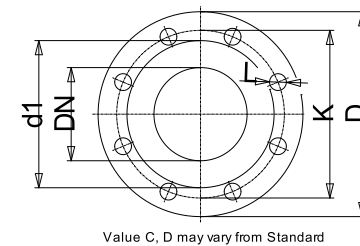
a	3 ⁵ / ₁₆		
AD	5 ¹ / ₄		
B max	11 ¹³ / ₁₆		
b	2 ⁹ / ₁₆		
DND	2 ⁹ / ₁₆		
DNS	3 ³ / ₈		
g1	5 ⁹ / ₈		
H max	13 ³ / ₈		
h1	6 ⁵ / ₁₆		
h2	7 ¹ / ₁₆		
L	19 ¹¹ / ₁₆		
m1	4 ¹⁵ / ₁₆		
m2	3 ³ / ₄		
n1	11 ¹ / ₃₂		
n2	8 ³ / ₈		
s1	9 ⁹ / ₁₆		
Type	A		
W	9 ³ / ₄		
x	3 ¹⁵ / ₁₆		

Weight

Total weight	53 kg
---------------------	--------------

Connections

Suction nozzle		Discharge nozzle	
DN 80		DN 65	
PN 16		PN 16	
EN1092-2		EN1092-2	
C	7 ⁷ / ₈	C	13 ¹ / ₁₆
D	7 ⁷ / ₈	D	7 ⁵ / ₁₆
df	5 ³ / ₁₆	df	4 ⁵ / ₈
DN	3 ¹ / ₈	DN	2 ⁹ / ₁₆
K	6 ⁵ / ₁₆	K	5 ¹¹ / ₁₆
L	8 x 19	L	4 x 19



Value C, D may vary from Standard

Note:
Weight and Dimensions of selected Hydrovar are NOT considered.
Please refer to additional datasheet.

Dimensions and weight without obligation

Project		Created by		Last update	1/9/2025
Block	NSCE65-125/110/P26PCC4	Created on	1/9/2025		