

# NSCE65-160/30/P46PCC4

## Technical data

Company name  
Contact  
Phone number  
e-mail address

Operating data						
1	Pumpe type	Single head pump		Fluid	Water, pure	
2	No. of pumps	1		Operating temperature t A	°F	39.2
3	Nominal flow	US g.p.m.	0	Max / Min Operating Temperature mech. Seal	°F	120 / -25
4	Nominal head	ft	0	pH-value at t A		7
5	Static head	ft	0	Density at t A	lb/ft <sup>3</sup>	62.4
6	Inlet pressure	psi	0	Kin. viscosity at t A	ft <sup>2</sup> /s	1.689E-5
7	Environmental temperature	°F	68	Vapor pressure at t A	psi	14.5
8	Available system NPSH	ft	0	Altitude		0

Pump data							
9	Lubrication	Standard, Grease lubrication [Std]					
10	Execution	4 poles motor		Impeller Ø	Max.	inch	7 1/16
11	Design	Horizontal			designed	inch	6 5/8
12	Operating speed	1746 rpm	Stages		1	Min.	inch
13	Suction nozzle	DN 80	/	PN 16	/	EN1092-2	
14	Discharge nozzle	DN 65	/	PN 16	/	EN1092-2	
15	Max. casing pressure	psi		Flow	Nominal	US g.p.m.	
16	Max. working pressure	psi	18.9		Max-	US g.p.m.	430.5
17	Impeller type	Radial impeller		Head	Min-	US g.p.m.	92.2
18	Head H(Q=0)	ft	44		Nominal	ft	
19	Max. shaft power	hp	3.6		at Qmax	ft	22.9
20	Pump weight	kg		Shaft power	at Qmin	ft	43.4
21	Total weight	lb	174.2		Efficiency	%	
				NPSH 3%	ft		

Materials			
22		<b>Pump</b>	<b>Shaft Seal</b>
23	Volute Casing	Cast Iron	Single mechanical seal, without shaft sleeve
24	Casing Cover	Cast Iron	eMG12 - Ø28mm
25	Impeller	Cast Iron	Mechanical seal diameter
26	Shaft	Stainless steel	1. Rotating ring
27	Wear ring	Stainless steel	2. Stationary ring
28	Impeller lock nut and washer	Stainless steel	3. Secondary seal
29	Impeller key	Stainless steel	4. Springs
30	Fill and drain plugs	Stainless steel	5. Others
31			Gaskets of the pump
32			
33			
34			
35			
36			
37			
38			
39			
40			
41			

Motor data			
42	Manufacturer	Lowara	
43	Specific design	IE3 3ph Flange Motor	
44	Type	PLM 100 B14 3 kW	
45	Rated power	4.0231 hp	Rated current
46	Nominal speed	1746 rpm	Rated voltage
47	Frame size	100	Service factor
48	Weight	lb 70.5	Degree of protection

Remarks	
49	
50	
50	
52	

# NSCE65-160/30/P46PCC4

## Performance curve

Company name  
Contact  
Phone number  
e-mail address

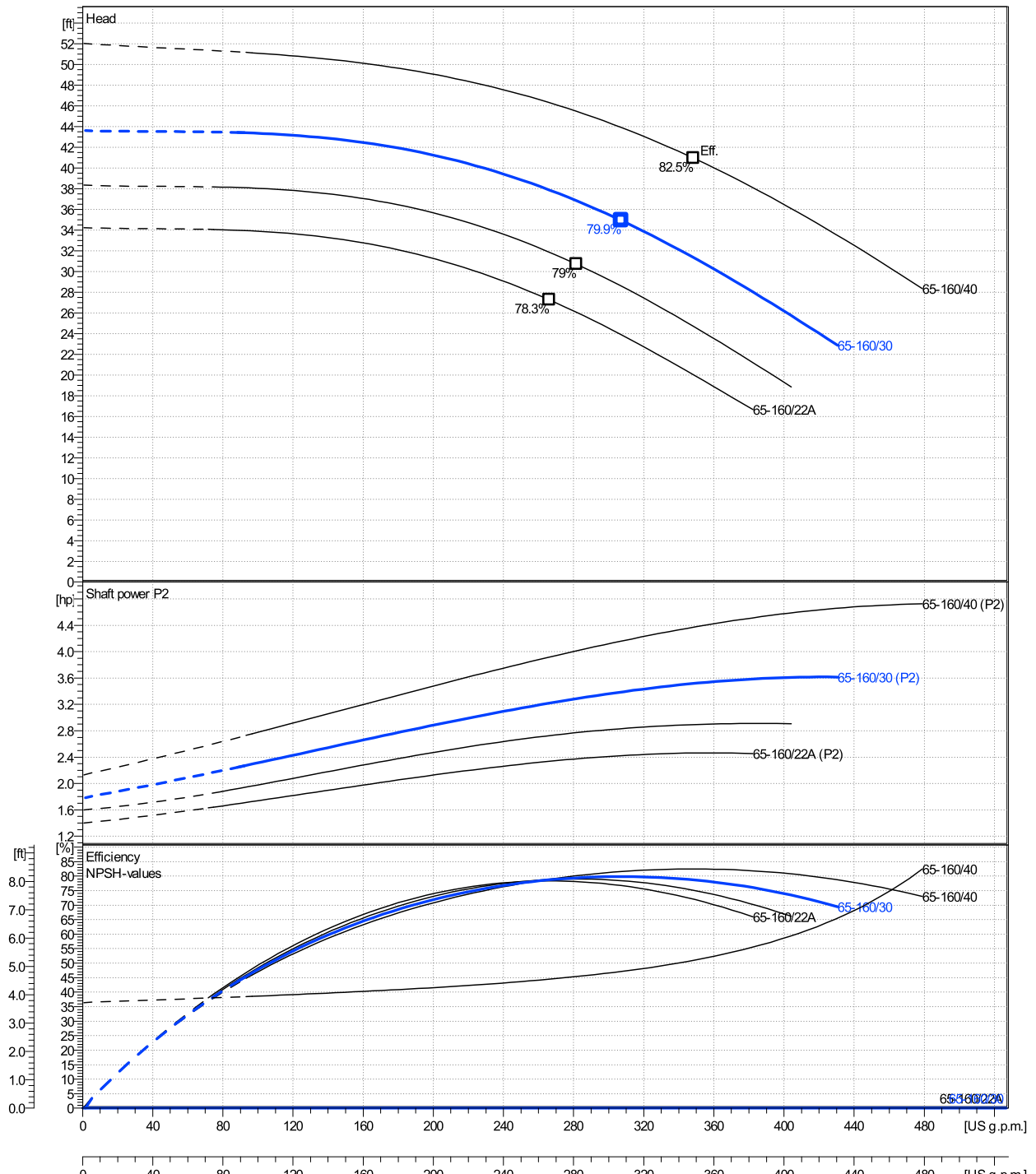
	Ø mm	Pump capacity Operating range η			Pump head H(Q=0) η		Shaft power P2 P2(Q=0) η			Frequency Hz	
		Min. US g.p.m.	Max. US g.p.m.	Max. US g.p.m.	ft	ft	hp	Max. hp	η Max. hp	rpm	
actual	6 5/8	92.2	430	307	43.6	34.9		3.62	3.39	Operating speed	1746
Min.	0	/	/	266	34.2	27.3		/	2.34	Nominal flow	US g.p.m. 0
Max.	7 1/16	/	/	348	52	40.9		/	4.37	Nominal head	ft 0
										Inlet pressure	psi 0
										Static head	ft 0

**Power datas referred to:**

hydr. Performance acceptance acc. To EN ISO 9906 Class Grade 3B

Water, pure [100%] ; 39.2°F; 62.4lb/ft³; 1.69E-5ft²/s

MEI: N.A - according to Ecodesign Directive 2009/125/EC and Regulation (EU) No.547/2012



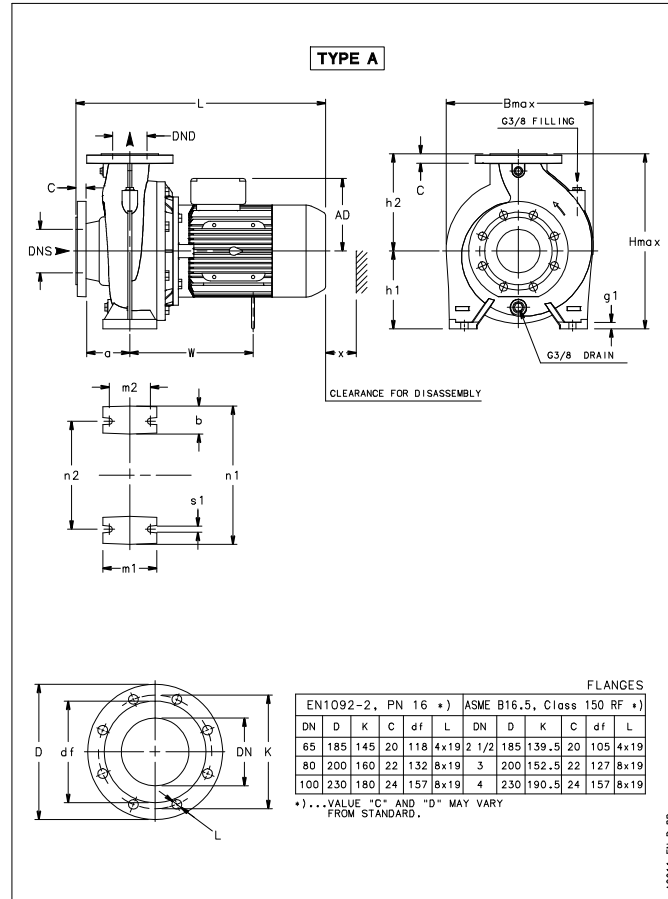
# NSCE65-160/30/P46PCC4

## Dimensions

Company name  
Contact  
Phone number  
e-mail address

Extended shaft  
4 poles motor  
PLM 100 B14 3 kW

Electrical and dimensional data refer to IE3 motor



### Dimensions [ inch ]

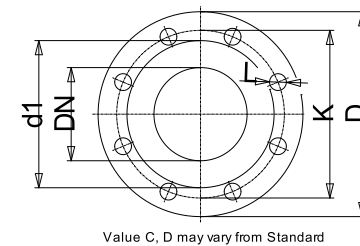
a	3 <sup>5</sup> / <sub>16</sub>		
AD	6 <sup>5</sup> / <sub>8</sub>		
B max	13 <sup>3</sup> / <sub>16</sub>		
b	2 <sup>9</sup> / <sub>16</sub>		
DND	2 <sup>9</sup> / <sub>16</sub>		
DNS	3 <sup>1</sup> / <sub>8</sub>		
g1	5 <sup>1</sup> / <sub>8</sub>		
H max	14 <sup>3</sup> / <sub>16</sub>		
h1	6 <sup>5</sup> / <sub>16</sub>		
h2	7 <sup>7</sup> / <sub>8</sub>		
L	21 <sup>3</sup> / <sub>4</sub>		
m1	4 <sup>15</sup> / <sub>16</sub>		
m2	3 <sup>3</sup> / <sub>4</sub>		
n1	11 <sup>1</sup> / <sub>32</sub>		
n2	8 <sup>3</sup> / <sub>8</sub>		
s1	9 <sup>1</sup> / <sub>16</sub>		
Type	A		
W	11 <sup>1</sup> / <sub>4</sub>		
x	4 <sup>1</sup> / <sub>4</sub>		

### Weight

<b>Total weight</b>	<b>79 kg</b>
---------------------	--------------

### Connections

Suction nozzle		Discharge nozzle	
<b>DN 80</b>		<b>DN 65</b>	
<b>PN 16</b>		<b>PN 16</b>	
<b>EN1092-2</b>		<b>EN1092-2</b>	
C	7 <sup>7</sup> / <sub>8</sub>	C	13 <sup>1</sup> / <sub>16</sub>
D	7 <sup>7</sup> / <sub>8</sub>	D	7 <sup>5</sup> / <sub>16</sub>
df	5 <sup>3</sup> / <sub>16</sub>	df	4 <sup>5</sup> / <sub>8</sub>
DN	3 <sup>1</sup> / <sub>8</sub>	DN	2 <sup>9</sup> / <sub>16</sub>
K	6 <sup>5</sup> / <sub>16</sub>	K	5 <sup>11</sup> / <sub>16</sub>
L	8 x 19	L	4 x 19



Note:  
Weight and Dimensions of selected Hydrovar are NOT considered.  
Please refer to additional datasheet.

### Dimensions and weight without obligation

<b>Project</b>		<b>Created by</b>		<b>Last update</b>	1/9/2025
<b>Block</b>	NSCE65-160/220/P26PCC4	<b>Created on</b>	1/9/2025		