

NSCE80-160/22/P46PCC4

Technical data

Company name
Contact
Phone number
e-mail address

Operating data				
1	Pumpe type	Single head pump	Fluid	Water, pure
2	No. of pumps	1	Operating temperature t A	°F 39.2
3	Nominal flow	US g.p.m. 0	Max / Min Operating Temperature mech. Seal	°F 120 / -25
4	Nominal head	ft 0	pH-value at t A	7
5	Static head	ft 0	Density at t A	lb/ft ³ 62.4
6	Inlet pressure	psi 0	Kin. viscosity at t A	ft ² /s 1.689E-5
7	Environmental temperature	°F 68	Vapor pressure at t A	psi 14.5
8	Available system NPSH	ft 0	Altitude	0

Pump data				
9	Lubrication	Standard, Grease lubrication [Std]		
10	Execution	4 poles motor		
11	Design	Horizontal		
12	Operating speed	1740 rpm	Stages	1
13	Suction nozzle	DN 100 / PN 16 / EN1092-2	Impeller Ø	Max. inch 6 15/16
14	Discharge nozzle	DN 80 / PN 16 / EN1092-2		designed inch 5 11/16
15	Max. casing pressure	psi	Flow	Min. inch 5 11/16
16	Max. working pressure	psi 13.7		Nominal US g.p.m.
17	Impeller type	Radial impeller		Max- US g.p.m. 569.1
18	Head H(Q=0)	ft 31	Head	Min- US g.p.m. 118.2
19	Max. shaft power	hp 2.9		Nominal ft
20	Pump weight	kg		at Qmax ft 12.8
21	Total weight	lb 178.6	Shaft power	at Qmin ft 30.9
			Efficiency	hp
			NPSH 3%	%

Materials				
22		Pump	Shaft Seal	
23	Volute Casing	Cast Iron	Single mechanical seal, without shaft sleeve	
24	Casing Cover	Cast Iron	eMG12 - Ø28mm	BQ7EGG-WA
25	Impeller	Cast Iron	Mechanical seal diameter	1 1/8 inch
26	Shaft	Stainless steel	1. Rotating ring	Carbon graphite resin impregnated
27	Wear ring	Stainless steel	2. Stationary ring	SiC, silicon carbide, sintered press.less
28	Impeller lock nut and washer	Stainless steel	3. Secondary seal	Ethylene propylene rubber (EPDM)
29	Impeller key	Stainless steel	4. Springs	CrNiMo - Steel
30	Fill and drain plugs	Stainless steel	5. Others	EPDM - WRAS
31			Gaskets of the pump	Ethylene propylene rubber (EPDM)
32				
33				
34				
35				
36				
37				
38				
39				
40				
41				

Motor data				
Electrical and dimensional data refer to IE3 motor				
42	Manufacturer	Lowara		
43	Specific design	IE3 3ph Flange Motor		
44	Type	PLM 100 B14 2,2 kW		
45	Rated power	2.9502 hp	Rated current	8.19 A
46	Nominal speed	1740 rpm	Rated voltage	220 V
47	Frame size	100	Service factor	1
48	Weight	lb 63.5	Degree of protection	IP55

Remarks				
49				
50				
50				
52				

NSCE80-160/22/P46PCC4

Performance curve

Company name
Contact
Phone number
e-mail address

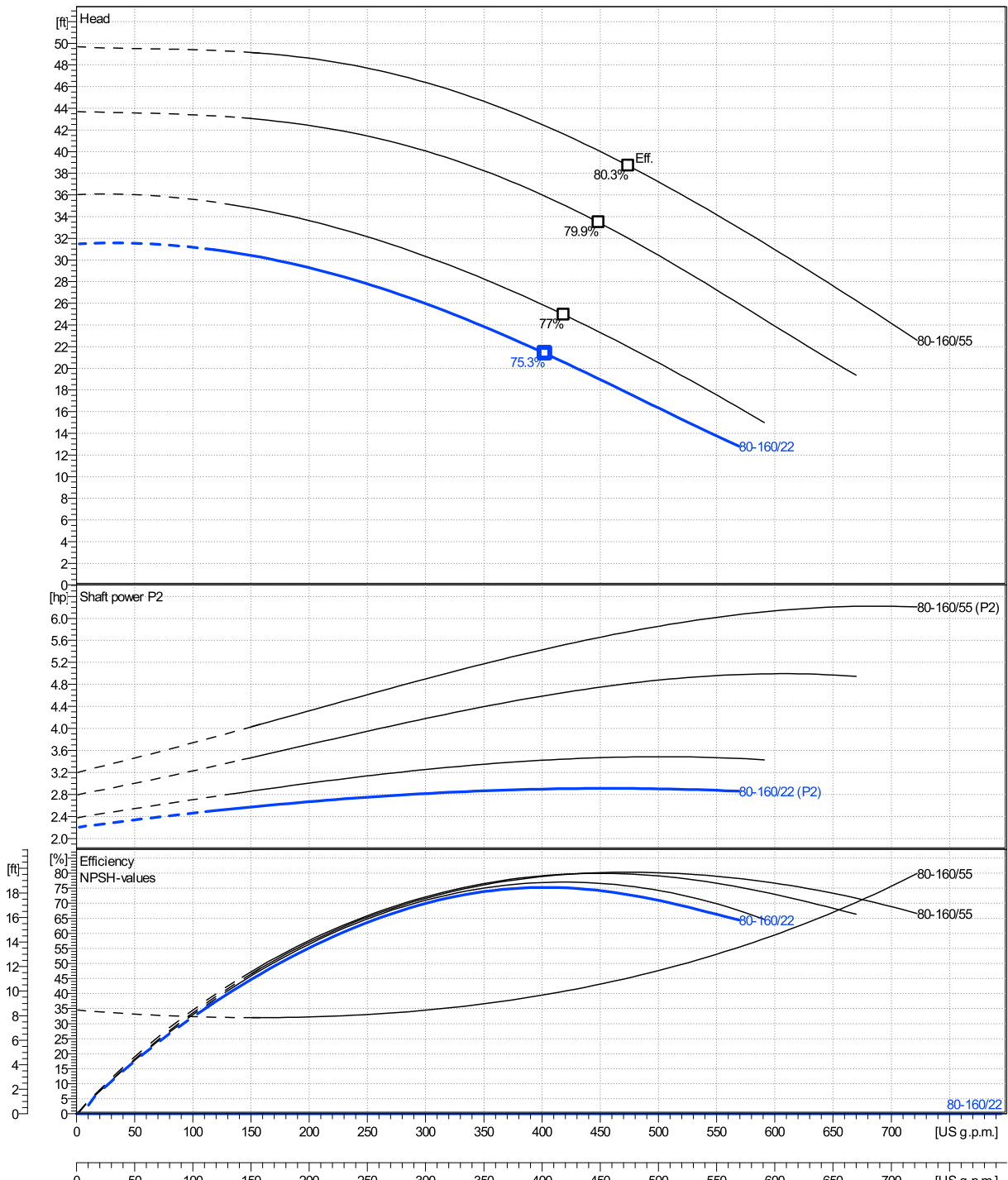
	Ø mm	Pump capacity			Pump head		Shaft power P2			Frequency	Hz	
		Operating range Min. US g.p.m.	Max. US g.p.m.	η Max. US g.p.m.	H(Q=0) ft	η Max. ft	P2(Q=0) hp	Max. hp	η Max. hp	Operating speed rpm		
actual	5 11/16	118	569	403	31.5	21.4		2.91	2.9	Nominal flow	US g.p.m.	0
Min.	0	/	/	403	31.5	21.4		/	2.9	Nominal head	ft	0
Max.	6 15/16	/	/	474	49.7	38.7		/	5.76	Inlet pressure	psi	0
										Static head	ft	0

Power datas referred to:

hydr. Performance acceptance acc. To EN ISO 9906 Class Grade 3B

Water, pure [100%] ; 39.2°F; 62.4lb/ft³; 1.69E-5ft²/s

MEI: N.A - according to Ecodesign Directive 2009/125/EC and Regulation (EU) No.547/2012



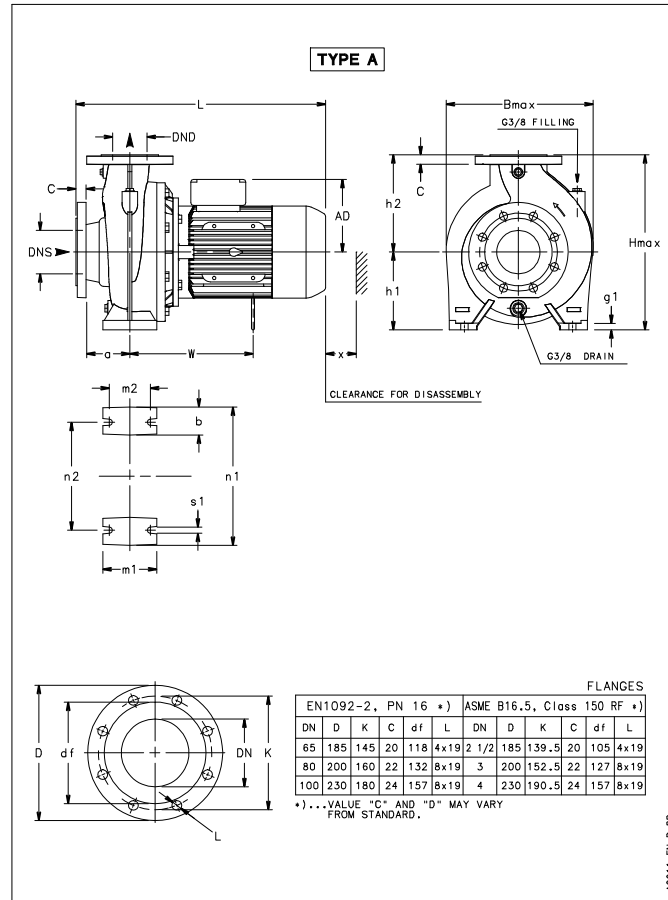
NSCE80-160/22/P46PCC4

Dimensions

Company name
Contact
Phone number
e-mail address

Extended shaft
4 poles motor
PLM 100 B14 2,2 kW

Electrical and dimensional data refer to IE3 motor



A0011-EN_LB_DD

Note:
Weight and Dimensions of selected Hydrovar are NOT considered.
Please refer to additional datasheet.

Dimensions and weight without obligation

Project		Created by		Last update	1/9/2025
Block	NSCE80-160/220/P26PCC4	Created on	1/9/2025		

Dimensions		[inch]	
a	4 ¹⁵ / ₁₆		
AD	6 ⁵ / ₈		
B max	13 ³ / ₈		
b	2 ⁹ / ₁₆		
DND	3 ¹ / ₈		
DNS	3 ¹⁵ / ₁₆		
g1	5 ⁹ / ₁₆		
H max	15 ¹⁵ / ₁₆		
h1	7 ¹ / ₁₆		
h2	8 ⁷ / ₈		
L	21 ⁹ / ₁₆		
m1	4 ¹⁵ / ₁₆		
m2	3 ³ / ₄		
n1	12 ⁹ / ₈		
n2	9 ¹³ / ₁₆		
s1	9 ⁹ / ₁₆		
Type	A		
W	11 ¹ / ₄		
x	4 ¹³ / ₁₆		

Weight	
Total weight	81 kg

Connections			
Suction nozzle		Discharge nozzle	
DN 100		DN 80	
PN 16		PN 16	
EN1092-2		EN1092-2	
C	1 ⁵ / ₁₆	C	7 ⁷ / ₈
D	9 ¹ / ₁₆	D	7 ⁷ / ₈
df	6 ³ / ₁₆	df	5 ³ / ₁₆
DN	3 ¹⁵ / ₁₆	DN	3 ¹ / ₈
K	7 ¹ / ₁₆	K	6 ⁵ / ₁₆
L	8 x 19	L	8 x 19

