

NSCE80-160/40/P46PCC4

Technical data

Company name
Contact
Phone number
e-mail address

Operating data			
1	Pumpe type	Single head pump	Fluid Water, pure
2	No. of pumps	1	Operating temperature t A °F 39.2
3	Nominal flow	US g.p.m. 0	Max / Min Operating Temperature mech. Seal °F 120 / -25
4	Nominal head	ft 0	pH-value at t A 7
5	Static head	ft 0	Density at t A lb/ft³ 62.4
6	Inlet pressure	psi 0	Kin. viscosity at t A ft²/s 1.689E-5
7	Environmental temperature	°F 68	Vapor pressure at t A psi 14.5
8	Available system NPSH	ft 0	Altitude 0

Pump data			
9	Lubrication	Standard, Grease lubrication [Std]	
10	Execution	4 poles motor	
11	Design	Horizontal	
12	Operating speed	1746 rpm	Stages 1
13	Suction nozzle	DN 100 / PN 16 / EN1092-2	Impeller Ø
14	Discharge nozzle	DN 80 / PN 16 / EN1092-2	
15	Max. casing pressure	psi	Flow
16	Max. working pressure	psi 19.1	
17	Impeller type	Radial impeller	
18	Head H(Q=0)	ft 44	Head
19	Max. shaft power	hp 5	
20	Pump weight	kg	Shaft power hp
21	Total weight	lb 229.3	
			Efficiency %
			NPSH 3% ft

Materials			
22		Pump	Shaft Seal
23	Volute Casing	Cast Iron	Single mechanical seal, without shaft sleeve
24	Casing Cover	Cast Iron	eMG12 - Ø28mm BQ7EGG-WA
25	Impeller	Cast Iron	Mechanical seal diameter 1 1/8 inch
26	Shaft	Stainless steel	1. Rotating ring Carbon graphite resin impregnated
27	Wear ring	Stainless steel	2. Stationary ring SiC, silicon carbide, sintered press.less
28	Impeller lock nut and washer	Stainless steel	3. Secondary seal Ethylene propylene rubber (EPDM)
29	Impeller key	Stainless steel	4. Springs CrNiMo - Steel
30	Fill and drain plugs	Stainless steel	5. Others EPDM - WRAS
31			Gaskets of the pump Ethylene propylene rubber (EPDM)
32			
33			
34			
35			
36			
37			
38			
39			
40			
41			

Motor data			
Electrical and dimensional data refer to IE3 motor			
42	Manufacturer	Lowara	
43	Specific design	IE3 3ph Flange Motor	
44	Type	PLM 112 B14 4 kW	
45	Rated power	5.3641 hp	Rated current 14.8 A
46	Nominal speed	1746 rpm	Rated voltage 220 V
47	Frame size	112	Service factor 1
48	Weight	lb 119.0	Degree of protection IP55

Remarks	
49	
50	
50	
52	

NSCE80-160/40/P46PCC4

Performance curve

Company name
Contact
Phone number
e-mail address

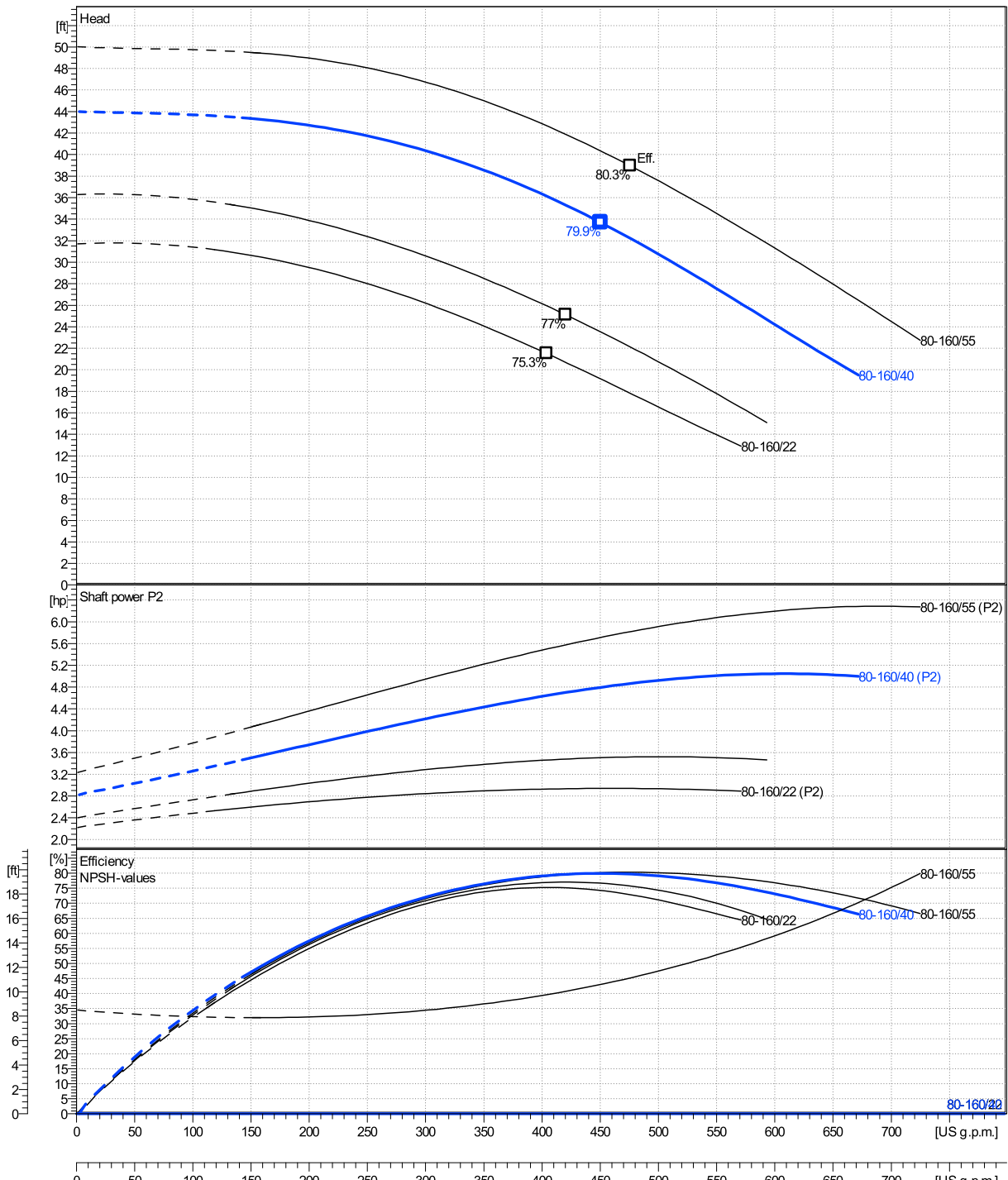
	Ø mm	Pump capacity			Pump head		Shaft power P2			Frequency	Hz	
		Operating range Min. US g.p.m.	Max. US g.p.m.	η Max. US g.p.m.	H(Q=0) ft	η Max. ft	P2(Q=0) hp	Max. hp	η Max. hp	Operating speed	rpm	
actual	6 5/8	149	672	450	44	33.7		5.05	4.8	Nominal flow	US g.p.m.	0
Min.	0	/	/	404	31.7	21.5		/	2.93	Nominal head	ft	0
Max.	6 15/16	/	/	476	50	39		/	5.82	Inlet pressure	psi	0
										Static head	ft	0

Power datas referred to:

hydr. Performance acceptance acc. To EN ISO 9906 Class Grade 3B

Water, pure [100%] ; 39.2°F; 62.4lb/ft³; 1.69E-5ft²/s

MEI: N.A - according to Ecodesign Directive 2009/125/EC and Regulation (EU) No.547/2012



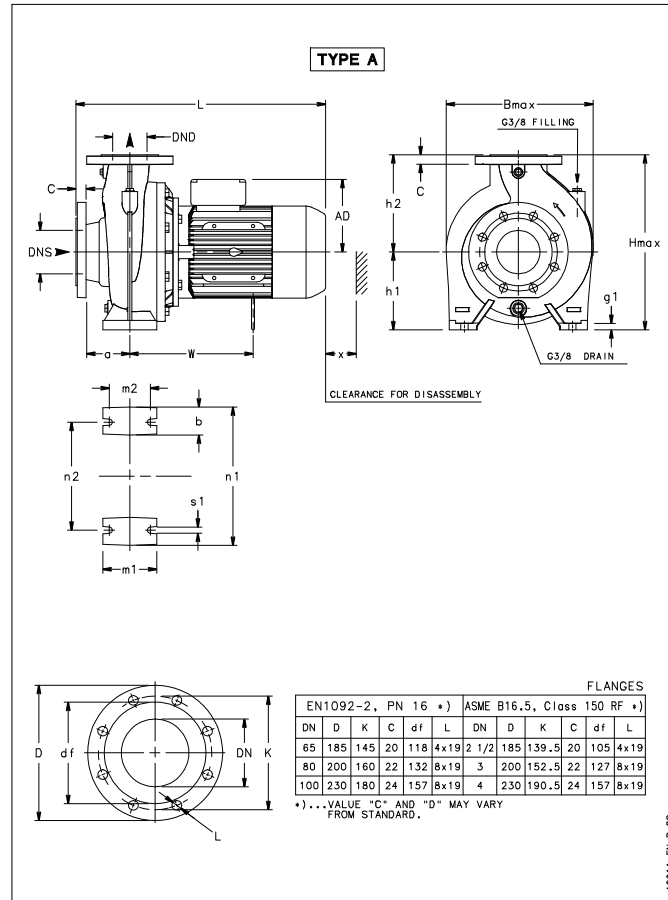
NSCE80-160/40/P46PCC4

Dimensions

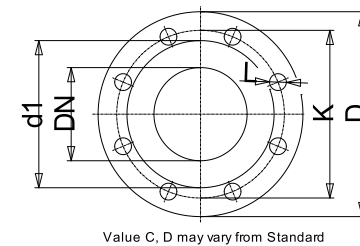
Company name
Contact
Phone number
e-mail address

Extended shaft
4 poles motor
PLM 112 B14 4 kW

Electrical and dimensional data refer to IE3 motor



A0011-EN.LB.D0



Value C, D may vary from Standard

Dimensions		[inch]	
a	4 ¹⁵ / ₁₆		
AD	6 ⁵ / ₈		
B max	13 ³ / ₈		
b	2 ⁹ / ₁₆		
DND	3 ¹ / ₈		
DNS	3 ¹⁵ / ₁₆		
g1	5 ⁹ / ₁₆		
H max	15 ¹⁵ / ₁₆		
h1	7 ¹ / ₁₆		
h2	8 ⁷ / ₈		
L	23 ⁷ / ₈		
m1	4 ¹⁵ / ₁₆		
m2	3 ³ / ₄		
n1	12 ⁹ / ₈		
n2	9 ¹³ / ₁₆		
s1	9 ⁹ / ₁₆		
Type	A		
W	13 ⁹ / ₁₆		
x	4 ¹³ / ₁₆		

Weight	
Total weight	104 kg

Connections			
Suction nozzle		Discharge nozzle	
DN 100		DN 80	
PN 16		PN 16	
EN1092-2		EN1092-2	
C	1 ⁵ / ₁₆	C	7 ⁷ / ₈
D	9 ¹ / ₁₆	D	7 ⁷ / ₈
df	6 ³ / ₁₆	df	5 ³ / ₁₆
DN	3 ¹⁵ / ₁₆	DN	3 ¹ / ₈
K	7 ¹ / ₁₆	K	6 ⁵ / ₁₆
L	8 x 19	L	8 x 19

Note:
Weight and Dimensions of selected Hydrovar are NOT considered.
Please refer to additional datasheet.

Dimensions and weight without obligation

Project	NSCE80-160/220/P26PCC4	Created by		Last update	1/9/2025
Block		Created on	1/9/2025		