

NSCF 100-160/40/P45VCC4

Technical data

Company name
Contact
Phone number
e-mail address

Operating data				
1	Pumpe type	Single head pump	Fluid	Water, pure
2	No. of pumps	1	Operating temperature t A	°C 4
3	Nominal flow	m ³ /h 0	Max / Min Operating Temperature mech. Seal	°C 120 / -25
4	Nominal head	m 0	pH-value at t A	7
5	Static head	m 0	Density at t A	kg/m ³ 1000
6	Inlet pressure	kPa 0	Kin. viscosity at t A	mm ² /s 1.569
7	Environmental temperature	°C 20	Vapor pressure at t A	kPa 100
8	Available system NPSH	m 0	Altitude	0

Pump data				
9	Lubrication	Standard, Grease lubrication [Std]		
10	Execution	Standard coupling		
11	Design	Horizontal		
12	Operating speed	1445 rpm	Stages	1
13	Suction nozzle	DN125 / PN10/16 / EN1092-2	Impeller Ø	Max. mm 190
14	Discharge nozzle	DN100 / PN10/16 / EN1092-2		designed mm 190
15	Max. casing pressure	kPa	Flow	Min. mm 144
16	Max. working pressure	kPa 105.2		Nominal m ³ /h
17	Impeller type	Radial impeller		Max- m ³ /h 192.3
18	Head H(Q=0)	m 11	Head	Min- m ³ /h 24.9
19	Max. shaft power	kW 3.7		Nominal m
20	Pump weight	kg 82	at Qmax m 4.6	at Qmin m 10.7
21	Total weight	kg 240.7	Shaft power kW	Efficiency %
			NPSH 3%	m

Materials				
22		Pump	Shaft Seal	
23	Volute Casing	Cast Iron, EN 1561 - GJL-250, ASTM Class 35		Single mechanical seal, without shaft sleeve
24	Impeller	Cast Iron, EN 1561 - GJL-200, ASTM Class 30		eMG12 - Ø38mm BQ7EGG-WA
25	Casing Cover	Cast Iron, EN 1561 - GJL-250, ASTM Class 35		Mechanical seal diameter 38 mm
26	Shaft	Stainless steel, 1.4057, AISI 431		1. Rotating ring Carbon graphite resin impregnated
27	Wear ring	Stainless steel, 1.4301, AISI 304		2. Stationary ring SiC, silicon carbide, sintered press. less
28	Impeller lock nut and washer	A4 (1.4401)		3. Secondary seal Ethylene propylene rubber (EPDM)
29	Impeller key	Stainless steel, 1.4571, AISI 316Ti		4. Springs CrNiMo - Steel
30	Fill and drain plugs	Galvanized carbon steel, EN 10277-3, AISI 1213 / 1215		5. Others EPDM - WRAS
31	Bearing bracket	Cast Iron, EN 1561 - GJL-250, ASTM Class 35		Gaskets of the pump Ethylene propylene rubber (EPDM)
32				
33				
34				
35				
36				
37				
38				
39				
40				
41				

Motor data				Coupling			
42	Manufacturer	Lowara		Manufacturer	Flender		
43	Specific design	IE3 3ph Surface Motor - Premium Efficiency		Series	Standard Coupling - N-EUPEX - Type B		
44	Type	PLM 112 B3 4 kW		Shaft diameter	Pump 32 mm	Motor 28 mm	
45	Rated power	4 kW	Rated current 8.23 A	Frame size	95		
46	Nominal speed	1445 rpm	Rated voltage 400 V	Spacer length	mm 4		
47	Frame size	112	Service factor 1	Weight	kg 2.2		
48	Weight kg	57.5	Degree of protection IP55	Coupling protection	GR.COUPLGUARD ES32-190-09 A4		1 kg

Base plate			Remarks		
49	Name	BASEFRAME_NSC80-1_C00			
50	Weight	kg 98.0			

NSCF 100-160/40/P45VCC4

Performance curve

Company name
Contact
Phone number
e-mail address

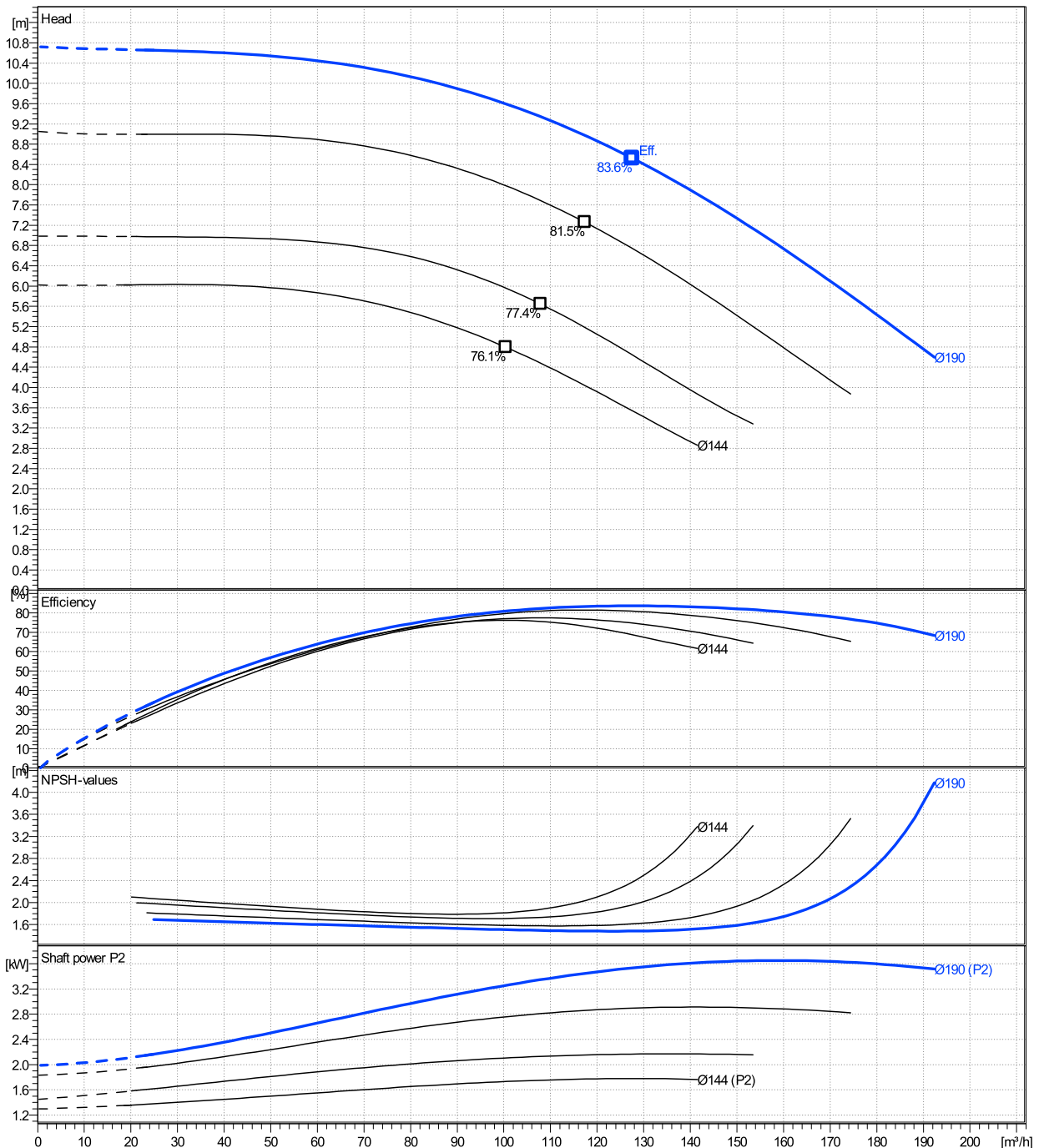
	Ø mm	Pump capacity			Pump head		Shaft power P2			Frequency	Hz	50
		Operating range Min. m³/h	Max. m³/h	η Max. m³/h	H(Q=0) m	η Max. m	P2(Q=0) kW	Max. kW	η Max. kW	Operating speed	rpm	1445
actual	190	24.9	192	128	10.7	8.52		3.65	3.53	Nominal flow	m³/h	0
Min.	0	/	/	100	6.02	4.79		/	1.73	Nominal head	m	0
Max.	190	/	/	128	10.7	8.52		/	3.53	Inlet pressure	kPa	0
										Static head	m	0

Power datas referred to:

hydr. Performance acceptance acc. To EN ISO 9906 Class Grade 3B

Water, pure [100%] ; 4°C; 1000kg/m³; 1.57mm²/s

MEI: >=0,70 - according to Ecodesign Directive 2009/125/EC and Regulation (EU) No.547/2012



NSCF 100-160/40/P45VCC4

Dimensions

Company name
Contact
Phone number
e-mail address

Frame mounted
Standard coupling
PLM 112 B3 4 kW

Electrical and dimensional data refer to IE3 motor

Dimensions [mm]

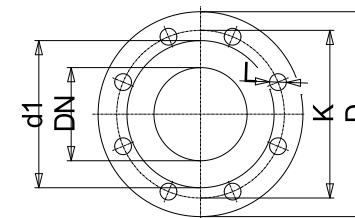
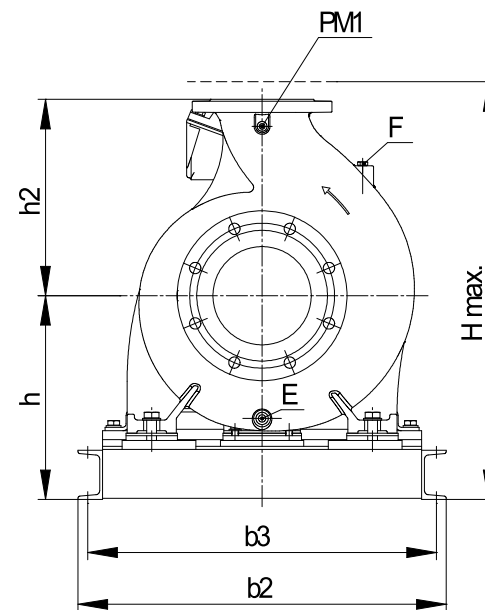
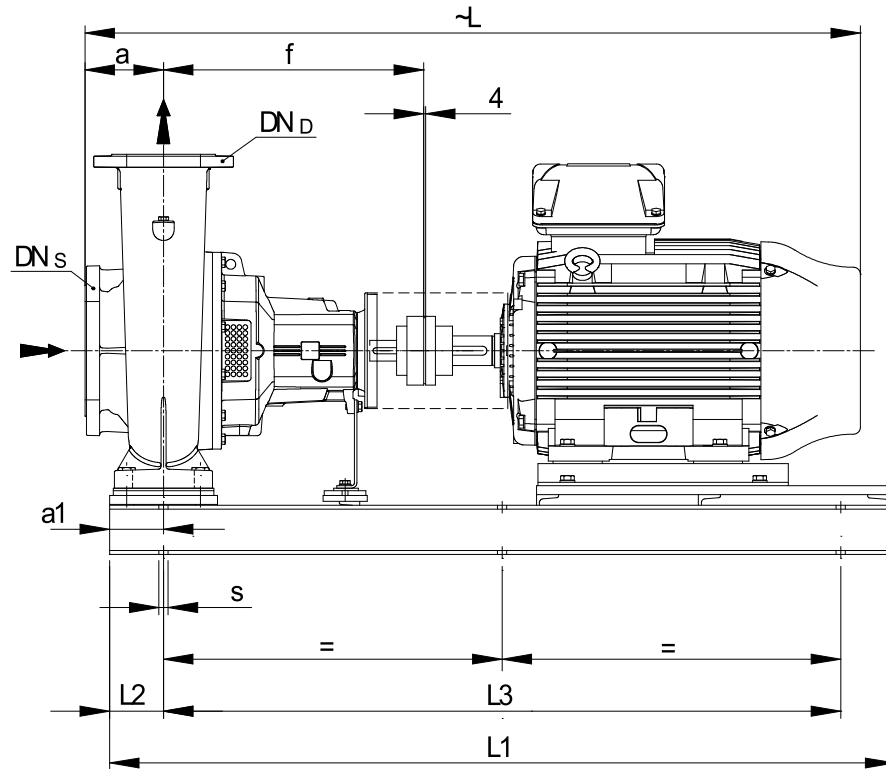
a	125
a1	110
b2	670
b3	630
CTO	0
DNd	100
DNs	125
E	3/8"
F	3/8"
f	470
Guard	144
h	365
h2	280
Hmax	645
L	1057
L1	1100
L2	110
L3	880
PM1	1/4"
s	6xØ19
Trim	0
Volumen	0.45678

Weight

Total weight	240.7 kg
--------------	----------

Connections

Suction nozzle		Discharge nozzle	
DN125		DN100	
PN10/16		PN10/16	
EN1092-2		EN1092-2	
C	26	C	24
D	255	D	230
d1	184	d1	157
K	210	K	180
L	19	L	19
z	8	z	8



Value C, D may vary from Standard

Dimensions and weight without obligation

Project	Xylect-20100489	Created by		Last update	12/14/2024
Block	NSCF 100-160/300/L25VCC4	Created on	12/14/2024		