

# NSCF 100-315/220/L45VCC4

## Technical data

Company name  
Contact  
Phone number  
e-mail address

Operating data				
1	Pumpe type	Single head pump	Fluid	Water, pure
2	No. of pumps	1	Operating temperature t A	°C 4
3	Nominal flow	m³/h 0	Max / Min Operating Temperature mech. Seal	°C 120 / -25
4	Nominal head	m 0	pH-value at t A	7
5	Static head	m 0	Density at t A	kg/m³ 1000
6	Inlet pressure	kPa 0	Kin. viscosity at t A	mm²/s 1.569
7	Environmental temperature	°C 20	Vapor pressure at t A	kPa 100
8	Available system NPSH	m 0	Altitude	0

Pump data				
9	Lubrication	Standard, Grease lubrication [Std]		
10	Execution	Standard coupling		
11	Design	Horizontal		
12	Operating speed	1470 rpm	Stages	1
13	Suction nozzle	DN125 / PN10/16 / EN1092-2	Impeller Ø	Max. mm 334
14	Discharge nozzle	DN100 / PN10/16 / EN1092-2		designed mm 312
15	Max. casing pressure	kPa	Flow	Min. mm 260
16	Max. working pressure	kPa 336.1		Nominal m³/h
17	Impeller type	Radial impeller		Max- m³/h 246.3
18	Head H(Q=0)	m 34	Head	Min- m³/h 23.2
19	Max. shaft power	kW 20.8		Nominal m
20	Pump weight	kg 116	at Qmax m 21.5	at Qmin m 34.1
21	Total weight	kg 368.9	Shaft power kW	Efficiency %
			NPSH 3%	m

Materials				
Pump		Shaft Seal		
22				
23	Volute Casing	Cast Iron, EN 1561 - GJL-250, ASTM Class 35		Single mechanical seal, without shaft sleeve
24	Impeller	Cast Iron, EN 1561 - GJL-200, ASTM Class 30		eMG12 - Ø38mm BQ7EGG-WA
25	Casing Cover	Cast Iron, EN 1561 - GJL-250, ASTM Class 35		Mechanical seal diameter 38 mm
26	Shaft	Stainless steel, 1.4057, AISI 431		1. Rotating ring Carbon graphite resin impregnated
27	Wear ring	Stainless steel, 1.4301, AISI 304		2. Stationary ring SiC, silicon carbide, sintered press. less
28	Impeller lock nut and washer	A4 (1.4401)		3. Secondary seal Ethylene propylene rubber (EPDM)
29	Impeller key	Stainless steel, 1.4571, AISI 316Ti		4. Springs CrNiMo - Steel
30	Fill and drain plugs	Galvanized carbon steel, EN 10277-3, AISI 1213 / 1215		5. Others EPDM - WRAS
31	Bearing bracket	Cast Iron, EN 1561 - GJL-250, ASTM Class 35		Gaskets of the pump Ethylene propylene rubber (EPDM)
32				
33				
34				
35				
36				
37				
38				
39				
40				
41				

Motor data		Electrical and dimensional data refer to IE3 motor		Coupling	
42	Manufacturer	Lowara		Manufacturer	Flender
43	Specific design	IE3 3ph Surface Motor - Premium Efficiency		Series	Standard Coupling - N-EUPEX - Type B
44	Type	3MAS 180 L B3 22 kW		Shaft diameter	Pump 32 mm Motor 48 mm
45	Rated power	22 kW	Rated current 42.2 A	Frame size	110
46	Nominal speed	1470 rpm	Rated voltage 400 V	Spacer length	mm 4
47	Frame size	180 L	Service factor 1	Weight	kg 3.3
48	Weight	kg 141.0	Degree of protection IP55	Coupling protection	GR.COUPLGUARD ES32-190-16 A4 1.8 kg

Base plate		Remarks	
49	Name	BASEFRAME_NSC80-2_C00	
50	Weight	kg 106.8	

# NSCF 100-315/220/L45VCC4

## Performance curve

Company name  
Contact  
Phone number  
e-mail address

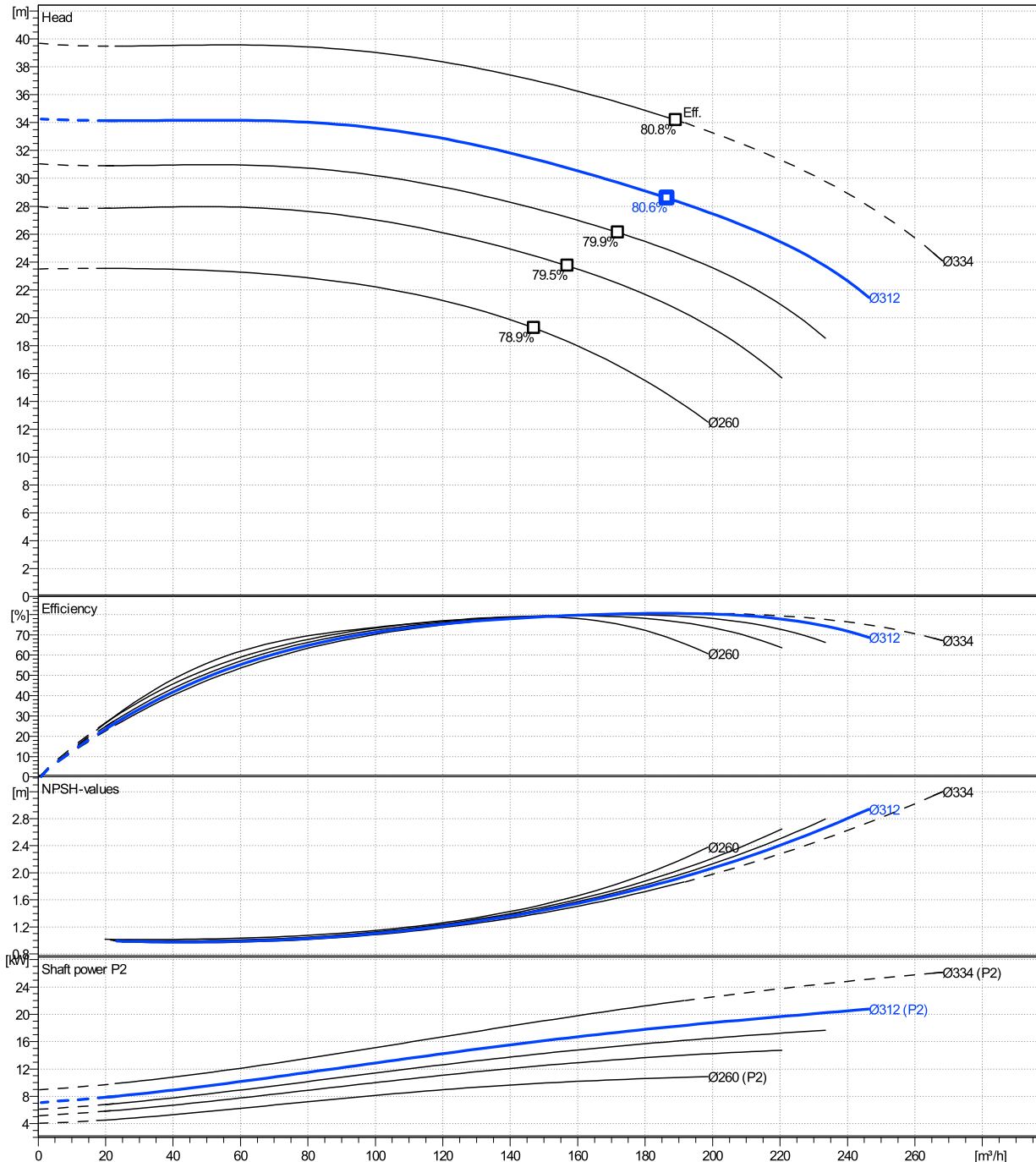
	Ø mm	Pump capacity			Pump head		Shaft power P2			Frequency	Hz	50
		Operating range Min. m³/h	Max. m³/h	η Max. m³/h	H(Q=0) m	η Max. m	P2(Q=0) kW	Max. kW	η Max. kW	Operating speed	rpm	1470
actual	312	23.2	246	187	34.3	28.6		20.8	18.1	Nominal flow	m³/h	0
Min.	0	/	/	147	23.5	19.3		/	9.86	Nominal head	m	0
Max.	334	/	/	189	39.7	34.2		/	21.8	Inlet pressure	kPa	0
										Static head	m	0

**Power datas referred to:**

hydr. Performance acceptance acc. To EN ISO 9906 Class Grade 3B

Water, pure [100%] ; 4°C; 1000kg/m³; 1.57mm²/s

MEI: 0,64 - according to Ecodesign Directive 2009/125/EC and Regulation (EU) No.547/2012



# NSCF 100-315/220/L45VCC4

## Dimensions

Company name  
Contact  
Phone number  
e-mail address

Frame mounted  
Standard coupling  
3MAS 180 L B3 22 kW

Electrical and dimensional data refer to IE3 motor

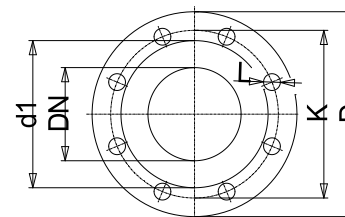
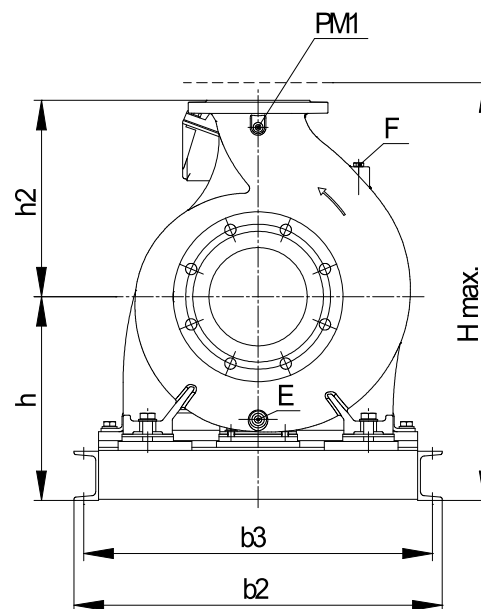
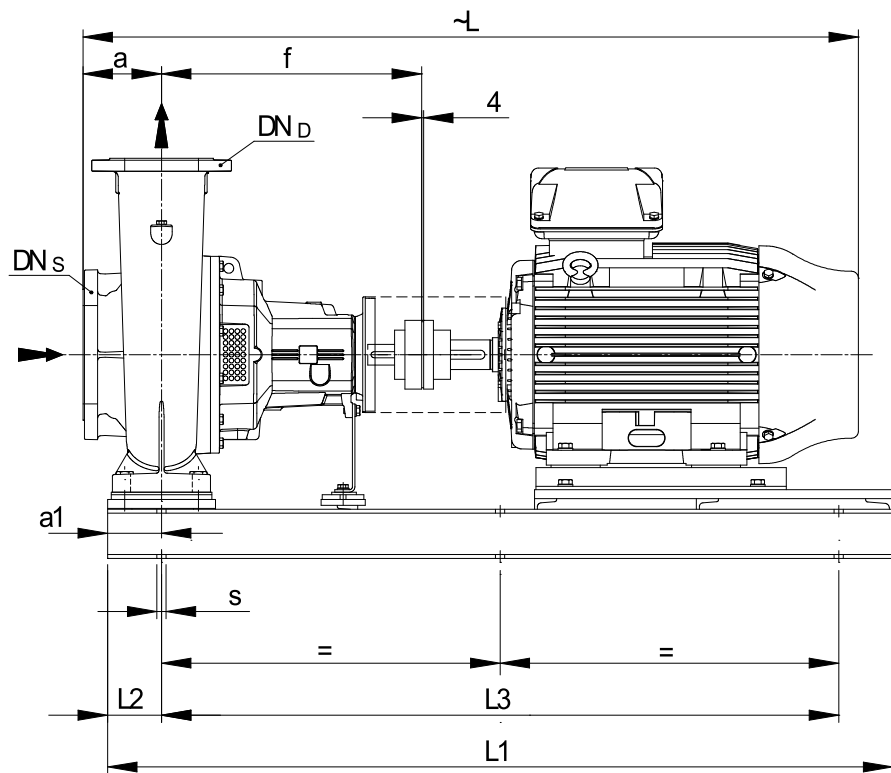
Dimensions		[ mm ]	
a	140		
a1	110		
b2	670		
b3	630		
CTO	0		
DNd	100		
DNs	125		
E	3/8"		
F	3/8"		
f	470		
Guard	194		
h	385		
h2	315		
Hmax	700		
L	1315		
L1	1330		
L2	110		
L3	1110		
PM1	1/4"		
s	6xØ19		
Trim	0		
Volumen	0.61674		

Weight	
Total weight	368.9 kg

Connections			
Suction nozzle		Discharge nozzle	
DN125		DN100	
PN10/16		PN10/16	
EN1092-2		EN1092-2	
C	26	C	24
D	255	D	230
d1	184	d1	157
K	210	K	180
L	19	L	19
z	8	z	8



Value C, D may vary from Standard

### Dimensions and weight without obligation

Project	Xylect-20100489	Created by		Last update	12/14/2024
Block	NSCF 100-315/300/L45VCC4	Created on	12/14/2024		