

NSCF 100-316/1600/L25VCC4 E4

Performance curve

Company name
Contact
Phone number
e-mail address

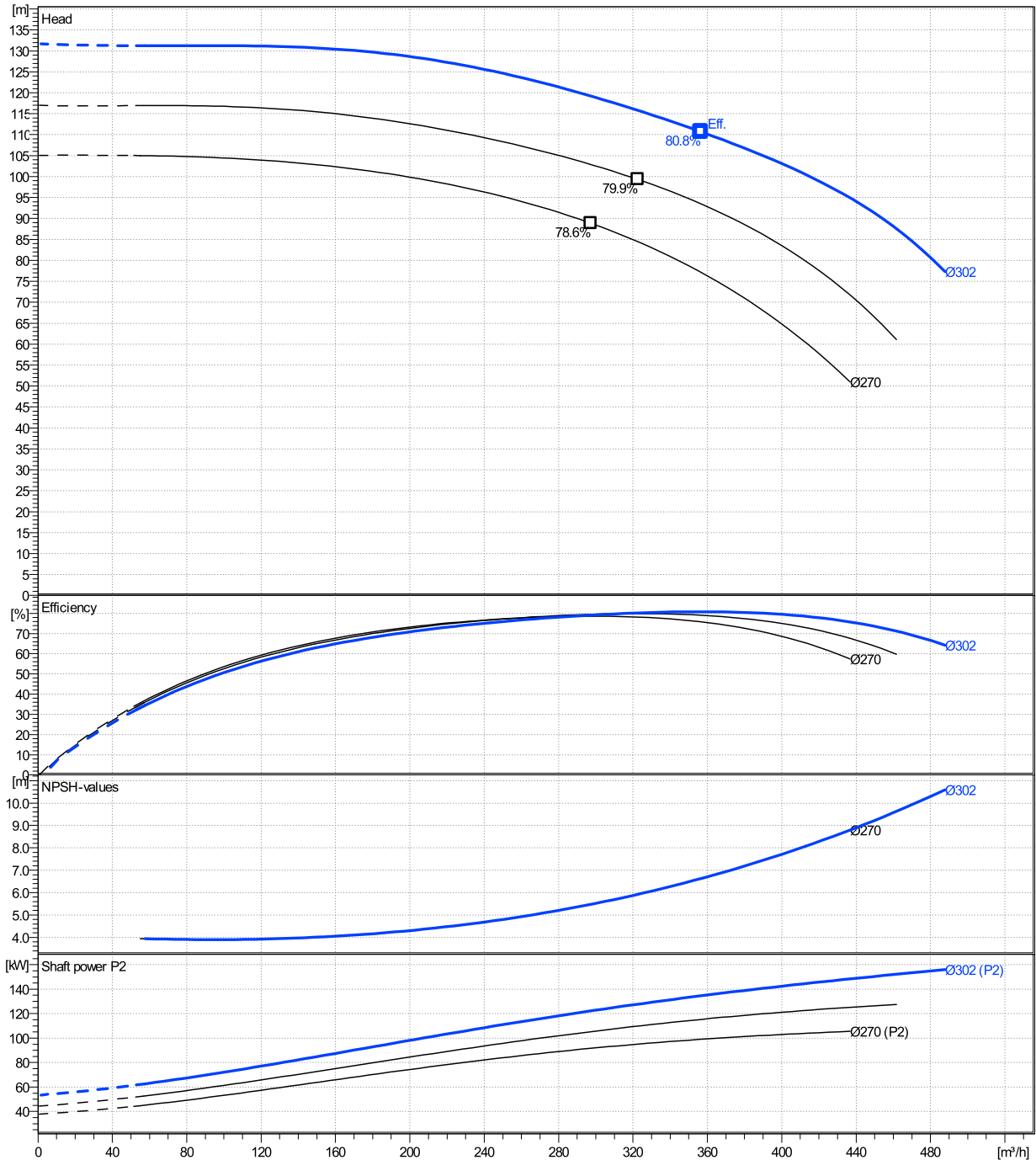
	Ø mm	Pump capacity			Pump head		Shaft power P2			Frequency	Hz	
		Operating range Min. m³/h	Max. m³/h	η Max. m³/h	H(Q=0) m	η Max. m	P2(Q=0) kW	Max. kW	η Max. kW	Operating speed	rpm	
actual	302	57.6	488	357	132	111		156	135	Nominal flow	m³/h	0
Min.	0	/	/	297	105	88.9		/	91.6	Nominal head	m	0
Max.	302	/	/	357	132	111		/	135	Inlet pressure	kPa	0
										Static head	m	0

Power datas referred to:

hydr. Performance acceptance acc. To EN ISO 9906 Class Grade 3B

Water, pure [100%] ; 4°C; 1000kg/m³; 1.57mm²/s

MEI: N.A - according to Ecodesign Directive 2009/125/EC and Regulation (EU) No.547/2012



NSCF 100-316/1600/L25VCC4 E4

Dimensions

Company name
Contact
Phone number
e-mail address

Frame mounted
Standard coupling
3MGS 315 M B3 160 kW E4

Electrical and dimensional data refer to IE4 motor

Dimensions [mm]

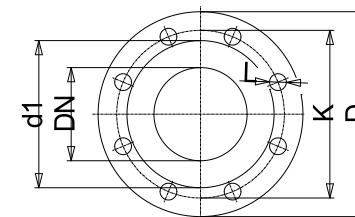
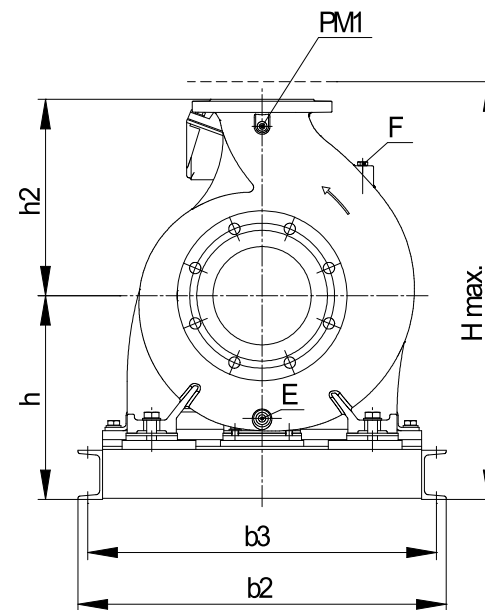
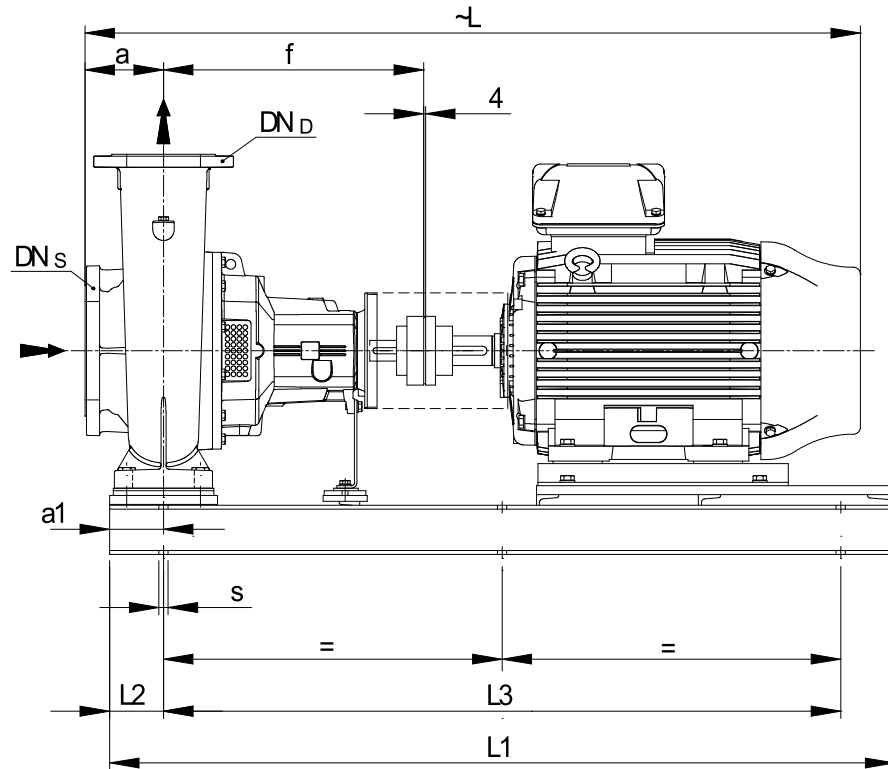
a	140
a1	110
b2	860
b3	810
CTO	0
DNd	100
DNs	125
E	3/8"
F	3/8"
f	530
Guard	254
h	505
h2	315
Hmax	1062
L	1799.5
L1	1850
L2	110
L3	1630
PM1	1/4"
s	6xØ26
Trim	0
Volumen	1.6435

Weight

Total weight	1308.5 kg
---------------------	------------------

Connections

Suction nozzle		Discharge nozzle	
DN125		DN100	
PN10/16		PN10/16	
EN1092-2		EN1092-2	
C	26	C	24
D	255	D	230
d1	184	d1	157
K	210	K	180
L	19	L	19
z	8	z	8



Value C, D may vary from Standard

Dimensions and weight without obligation

Project	Xylect-20101351	Created by		Last update	12/15/2024
Block	NSCF 100-316/1600/L25VCC4 E4	Created on	12/15/2024		