

NSCF 125-200/22/L65RCC4

Technical data

Company name
Contact
Phone number
e-mail address

Operating data				
1	Pumpe type	Single head pump	Fluid	Water, pure
2	No. of pumps	1	Operating temperature t A	°C 4
3	Nominal flow	m ³ /h 0	Max / Min Operating Temperature mech. Seal	°C 120 / -25
4	Nominal head	m 0	pH-value at t A	7
5	Static head	m 0	Density at t A	kg/m ³ 1000
6	Inlet pressure	kPa 0	Kin. viscosity at t A	mm ² /s 1.569
7	Environmental temperature	°C 20	Vapor pressure at t A	kPa 100
8	Available system NPSH	m 0	Altitude	0

Pump data				
9	Lubrication	Standard, Grease lubrication [Std]		
10	Execution	Standard coupling		
11	Design	Horizontal		
12	Operating speed	960 rpm	Stages	1
13	Suction nozzle	DN150 / PN10/16 / EN1092-2	Impeller Ø	Max. mm 225
14	Discharge nozzle	DN125 / PN10/16 / EN1092-2		designed mm 205
15	Max. casing pressure	kPa	Flow	Min. mm 180
16	Max. working pressure	kPa 51.5		Nominal m ³ /h
17	Impeller type	Radial impeller		Max- m ³ /h 215.2
18	Head H(Q=0)	m 5.2	Head	Min- m ³ /h 24.3
19	Max. shaft power	kW 2.2		Nominal m
20	Pump weight	kg 112	at Qmax m 2.2	at Qmin m 5.2
21	Total weight	kg 141.6	Shaft power kW	Efficiency %
			NPSH 3%	m

Materials				
Pump		Shaft Seal		
23	Volute Casing	Cast Iron, EN 1561 - GJL-250, ASTM Class 35	Single mechanical seal, without shaft sleeve	
24	Impeller	Cast Iron, EN 1561 - GJL-200, ASTM Class 30	eMG12 - Ø38mm	BQ7EGG-WA
25	Casing Cover	Cast Iron, EN 1561 - GJL-250, ASTM Class 35	Mechanical seal diameter	38 mm
26	Shaft	Stainless steel, 1.4057, AISI 431	1. Rotating ring	Carbon graphite resin impregnated
27	Wear ring	Stainless steel, 1.4301, AISI 304	2. Stationary ring	SiC, silicon carbide, sintered press. less
28	Impeller lock nut and washer	A4 (1.4401)	3. Secondary seal	Ethylene propylene rubber (EPDM)
29	Impeller key	Stainless steel, 1.4571, AISI 316Ti	4. Springs	CrNiMo - Steel
30	Fill and drain plugs	Galvanized carbon steel, EN 10277-3, AISI 1213 / 1215	5. Others	EPDM - WRAS
31	Bearing bracket	Cast Iron, EN 1561 - GJL-250, ASTM Class 35	Gaskets of the pump	Ethylene propylene rubber (EPDM)
32				
33				
34				
35				
36				
37				
38				
39				
40				
41				

Motor data				Coupling			
Electrical and dimensional data refer to IE3 motor							
42	Manufacturer	Lowara		Manufacturer	Flender		
43	Specific design	IE3 3ph Surface Motor - Premium Efficiency		Series	Standard Coupling - N-EUPEX - Type B		
44	Type	3MAS 112 M B3 2,2 kW		Shaft diameter	Pump 32 mm	Motor 28 mm	
45	Rated power	2.2 kW	Rated current 5.8 A	Frame size	95		
46	Nominal speed	960 rpm	Rated voltage 400 V	Spacer length	mm 4		
47	Frame size	112 M	Service factor 1	Weight	kg 2.2		
48	Weight kg	26.4	Degree of protection IP55	Coupling protection	GR.COUPLGUARD ES32-190-09 A4		1 kg

Base plate			Remarks			
49	Name	FRAME - N/A				
50	Weight	kg 0.0				

NSCF 125-200/22/L65RCC4

Performance curve

Company name
Contact
Phone number
e-mail address

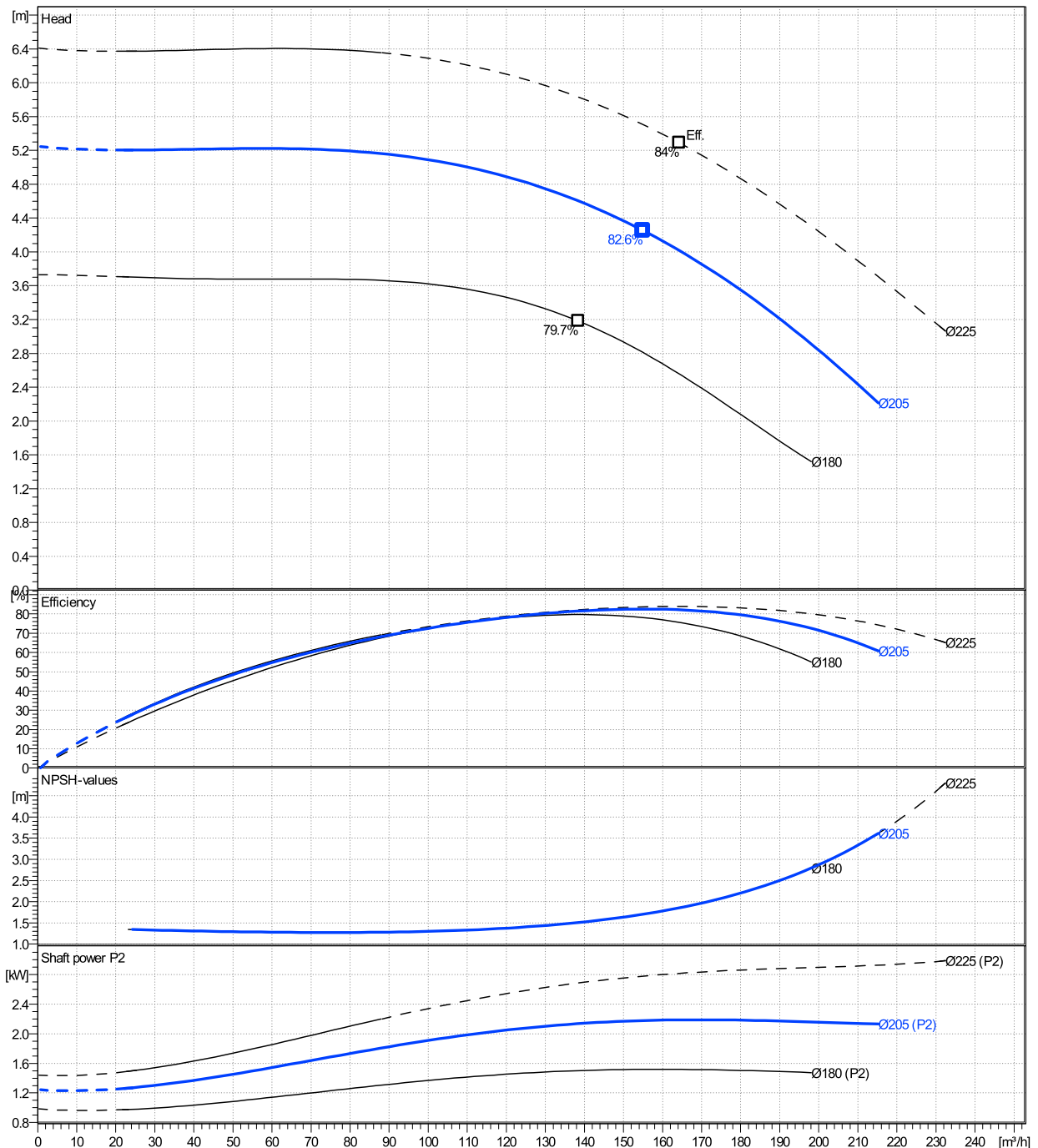
	Ø mm	Pump capacity η			Pump head η		Shaft power P2 η			Frequency	Hz	
		Min. m³/h	Max. m³/h	Max. m³/h	H(Q=0) m	Max. m	P2(Q=0) kW	Max. kW	Max. kW	Operating speed	rpm	
actual	205	24.3	215	155	5.25	4.25		2.19	2.18	Nominal flow	m³/h	0
Min.	0	/	/	138	3.73	3.18		/	1.5	Nominal head	m	0
Max.	225	/	/	164	6.41	5.29		/	2.82	Inlet pressure	kPa	0
										Static head	m	0

Power datas referred to:

hydr. Performance acceptance acc. To EN ISO 9906 Class Grade 3B

Water, pure [100%] ; 4°C; 1000kg/m³; 1.57mm²/s

MEI: N.A - according to Ecodesign Directive 2009/125/EC and Regulation (EU) No.547/2012



NSCF 125-200/22/L65RCC4

Dimensions

Company name
Contact
Phone number
e-mail address

Frame mounted
Standard coupling
3MAS 112 M B3 2,2 kW

Electrical and dimensional data refer to IE3 motor

Dimensions [mm]

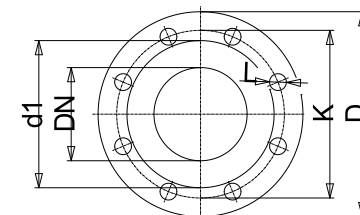
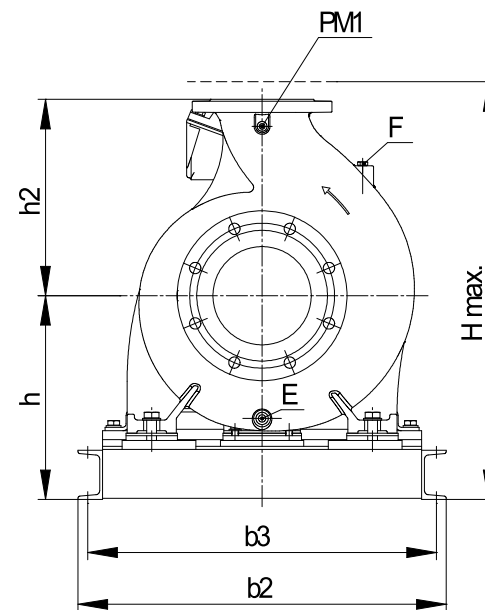
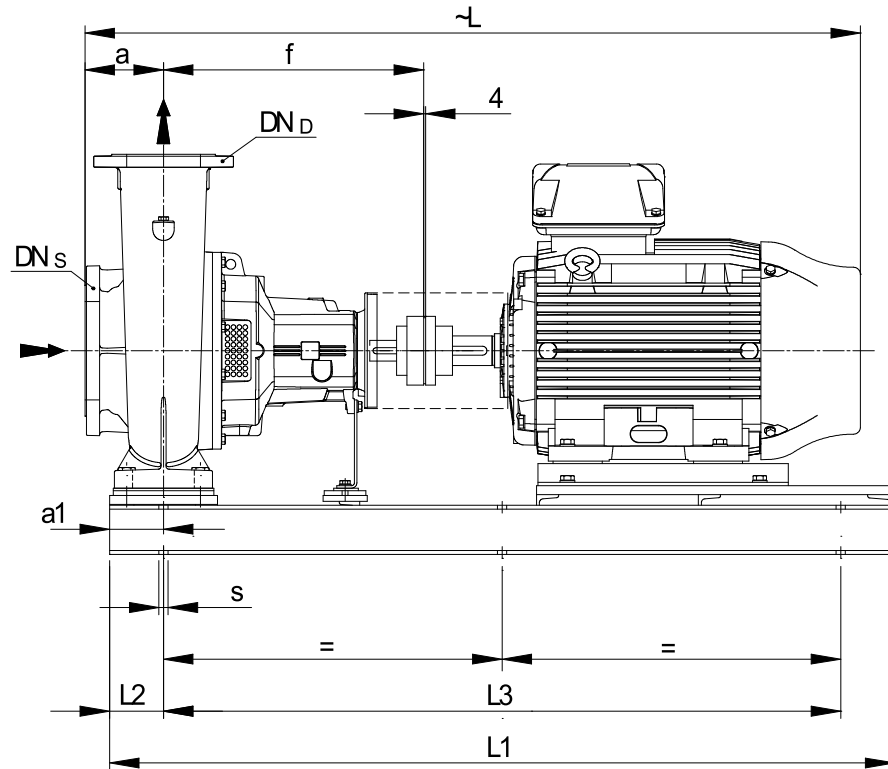
a	140		
a1			
b2			
b3			
CTO	0		
DNd	125		
DNs	150		
E	3/8"		
F	3/8"		
f	470		
Guard	144		
h2	315		
L	1004		
L1			
L2			
L3			
PM1	1/4"		
s	on request		
Trim	0		

Weight

Total weight	141.6 kg
---------------------	-----------------

Connections

Suction nozzle		Discharge nozzle	
DN150		DN125	
PN10/16		PN10/16	
EN1092-2		EN1092-2	
C	26	C	26
D	285	D	255
d1	211	d1	184
K	240	K	210
L	23	L	19
z	8	z	8



Value C, D may vary from Standard

Dimensions and weight without obligation

Project	Xylect-20100489	Created by		Last update	12/14/2024
Block	NSCF 125-200/900/L25VCC4 E4	Created on	12/14/2024		